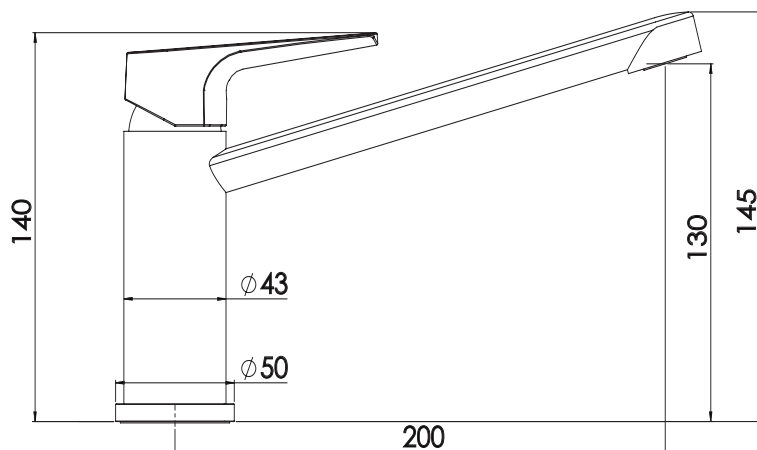


POSH

SOLUS MKII SINK MIXER



SPECIFICATIONS

Recommended use	Domestic, hotel and commercial
Colour availability	Chrome
Pressure rating	Maximum continuous operating pressure 1000 kpa. Note: As per AS3500 pressure must be limited to 500 kpa on any new home, extension or renovation. Note: For best performance and longer life we recommend 150-500 kPa.
Temperature rating	Maximum continuous working temperature 80°
Suitable Hot Water Units	Storage tank: Yes Continuous Flow: Yes Gravity Feed: Not recommended
WELS	Stars: 4 Flow rate: 7.5 L/Min
Standards	AS/NZS 3718



To see the complete Posch range go to www.reece.com.au/bathrooms

CLEANING RECOMMENDATIONS

We recommend the use of soapy water or approved cleaners. This product should not be cleaned with abrasive materials. Damage caused by any improper treatment is not covered by the product warranty - refer to Warranty Conditions on the last page.



Disclaimer: Products in this specification manual must by regulation be installed by licensed and registered trade people. The manufacturer/distributor reserves the right to vary specifications or delete models from their range without prior notification. Dimensions are nominal measurements only. Dimensions and set-outs listed are correct at time of publication however the manufacturer/distributor takes no responsibility for printing errors.

Tech Page Version 3

Posh



POSH

SOLUS MKII SINK MIXER

INSTALLATION INSTRUCTIONS

Note

The installation must comply with requirements of AS/NZS 3500. Mixer must be installed by a qualified plumber.

Important

Your mixer comes to you already factory assembled and tested. We do not recommend the dismantling of any internal part of the mixer. The mixers are factory tested and sealed so as to give the best performance.

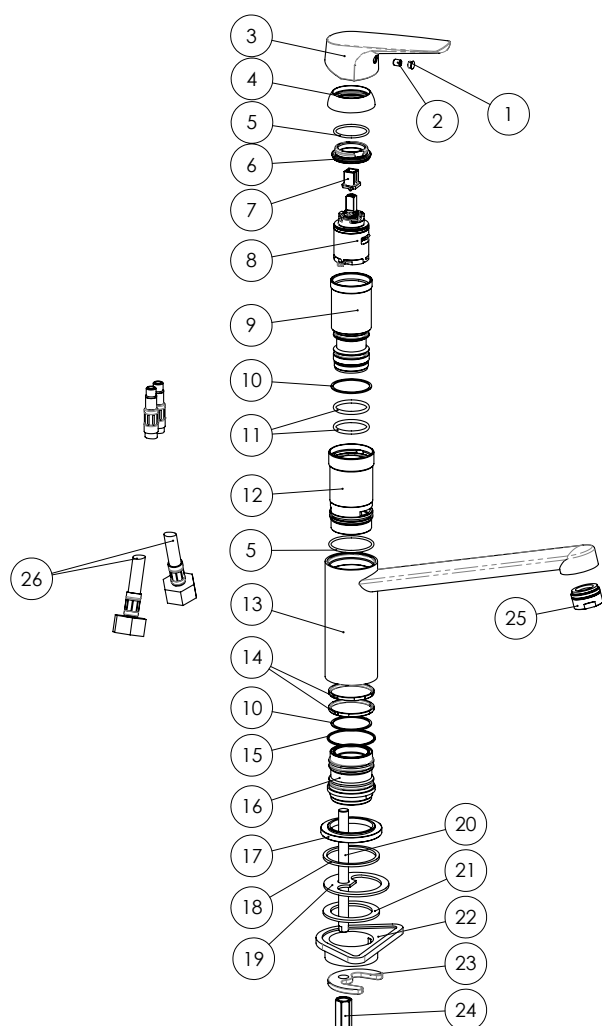
1. Please flush out pipe work prior to connecting the new mixer.
2. All mixers should be installed with isolating stop cocks. Arco brand recommended.
3. This mixer is suitable for high pressure applications where both hot and cold water supply pressures are at 150kPa or above.
4. Place the rubber sealing washer (18) and dress ring (17) into position.
5. Place the mixer body (13) into the sink hole making sure first that the flexible hoses (26) are firmly tightened into the base of the mixer body.

6. Do not use Teflon tap on threads.
7. From underneath, apply plate seal (19), rubber gasket (21) prior to positioning the stabilizing plate (22) or horse shoe plate (23) and hex nut (24).
8. Lock the mixer onto the sink by tightening the hex nut (24).
9. 10. Clean aerator (25) at regular intervals, particularly if you notice a drop in pressure.

SERVICING - REPLACEMENT OF CARTRIDGE

1. Lift chrome cover (1) and unscrew the grub screw (2) using allen key.
2. Lift off sink mixer handle (3) and remove the cartridge dome (4) and unscrew the lock nut (6).
3. Lift out cartridge (8) and replace with new, making sure the 2 lugs at the bottom of the cartridge sit properly into the allocated holes at the base of the upper body (9). Replace the lock nut (6), cartridge dome (4) and sink mixer handle (3).
4. Tighten grub screw (2) and push in chrome cover.

EXPLODED VIEW



Item	Description	Product Code
1	Chrome Cover	9502812
2	Grub screw	9502812
3	Sink Mixer Handle	9502812
4	Cartridge Dome	
5	O-Ring	
6	Lock Nut	
7	Thermal Barrier	
8	Cartridge	
9	Upper Body	
10	Upper PTFE Friction Ring	
11	O Ring (Pair)	
12	Mid Body Swivel	
13	Mixer Body and Spout	
14	PTFE Swivel Guide	
15	Lower PTFE Friction Ring	
16	Lower Body Swivel	
17	Dress Ring	
18	Rubber Sealing Washer	
19	Plate Seal	
20	Fixing Rod	
21	Rubber Gasket	
22	Stablizing Plater	
23	Horseshoe Plate	
24	Hex Nut	
25	Aerator Complete	
26	Flexible Hoses (Hot and Cold)	

Plumbers, please ensure a copy of the installation instructions is left with the end user for future reference

Posh

reese

POSH

SOLUS MKII SINK MIXER



REECE PRODUCT QUALITY GUARANTEE

You have purchased a quality product from Reece Pty Ltd ABN 84 004 097 090 ("Reece"). This product is covered by a 7 year replacement product warranty and a 12 month warranty over spare parts and labour.

7 YEAR WARRANTY – DOMESTIC USE

This warranty covers faults in the product construction, material and assembly. Products which are within 7 years from the date of purchase, found upon inspection by an authorised Reece representative, to be defective in construction, material or assembly, will be repaired or exchanged with an equivalent product free of charge. Replaced items become Reece's property. This warranty also covers any spare parts included under "Manufacturer's Provisions" below.

All replacement products will be available for collection without charge to the customer at the nearest Reece branch to the customer's location, or elsewhere as agreed between the customer and Reece.

Manufacturer's Provisions

The following spare parts are covered by a 7 year warranty:

- Mixer Cartridge

Labour and Spare Parts

The labour for the replacement of products and spare parts to which this warranty applies will be supplied by Reece or relevant supplier using licensed plumbers engaged by Reece or relevant supplier within 1 year from the date of purchase.

Spare parts other than those listed in the Manufacturer's Provisions above, which are within 1 year from the date of purchase found upon inspection by an authorised Reece representative to be defective in construction, material or assembly, will be replaced free of charge.

Warranty Conditions

This warranty will apply only under all of the following conditions:

- The item has been installed by a licensed plumber
- The item has been installed for and subjected to domestic residential use only
- Failure is due to a fault in the manufacture of the product
- Proof of purchase (including the date of purchase) is provided
- The installation of the product is in accordance with the instructions provided

This warranty does not cover products purchased as an ex-display without being fully checked and tested for sale by the manufacturer.

This warranty does not include faults caused by:

- Unsuitable or improper use
- Incorrect installation or installation not in accordance with the instructions provided
- Installation or part installation by the purchaser or any person other than a LICENSED PLUMBER
- Normal wear and tear
- Inadequate or complete lack of maintenance
- Chemical, electrochemical or electrical influences
- Harsh detergents or abrasive cleaners used on product finishes

1 YEAR WARRANTY – COMMERCIAL USE

'Commercial' use is all use other than for normal domestic residential purposes, including use in non-business places as in public buildings, schools, sports centres and in establishments that contain private bathrooms with high frequency of use by many individuals, such as hotels, motels, retirement villages and hospitals.

The Commercial warranty covers this product against manufacturing faults in the construction, material and assembly of both the finished products and any spare parts for a period of 1 year from the date of purchase. Products and spare parts which are found upon inspection by an authorised Reece representative to be defective in construction, material or assembly will be repaired or exchanged free of charge. Replaced items become Reece's property. The labour for the replacement of products and spare parts to which this warranty applies will be supplied by Reece or relevant supplier using licensed plumbers engaged by Reece or relevant supplier. The Warranty Conditions and exclusions which apply to the domestic use warranty also apply to this commercial warranty.

EXCLUSIONS

To the fullest extent permitted by law, Reece excludes all liability for damage or injury to any person, damage to any property, and any indirect consequential or other loss or damage.

CLAIM PROCEDURE

For all warranty queries customers are to contact the branch where the product was purchased. These details can be found on your purchase invoice.

Our goods come with guarantees that cannot be excluded under the Australian Consumer Law. You are entitled to a replacement or refund for a major failure and for compensation for any other reasonably foreseeable loss or damage. You are also entitled to have the goods repaired or replaced if the goods fail to be of acceptable quality and the failure does not amount to a major failure.

Don't risk it, use a licensed plumber.™

Posh

reece