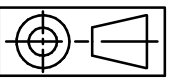


FASCO MOTORS MAY PROVIDE TECHNICAL ASSISTANCE TO OUR CUSTOMERS IN MANY AREAS. HOWEVER, SINCE FASCO MOTOR IS NOT AWARE OF ALL DATA CONCERNING THE USE AND APPLICATION OF THIS MOTOR, THE FITNESS OF THE MOTOR FOR THE APPLICATION MUST BE DETERMINED BY AND IS THE RESPONSIBILITY OF THE CUSTOMER.



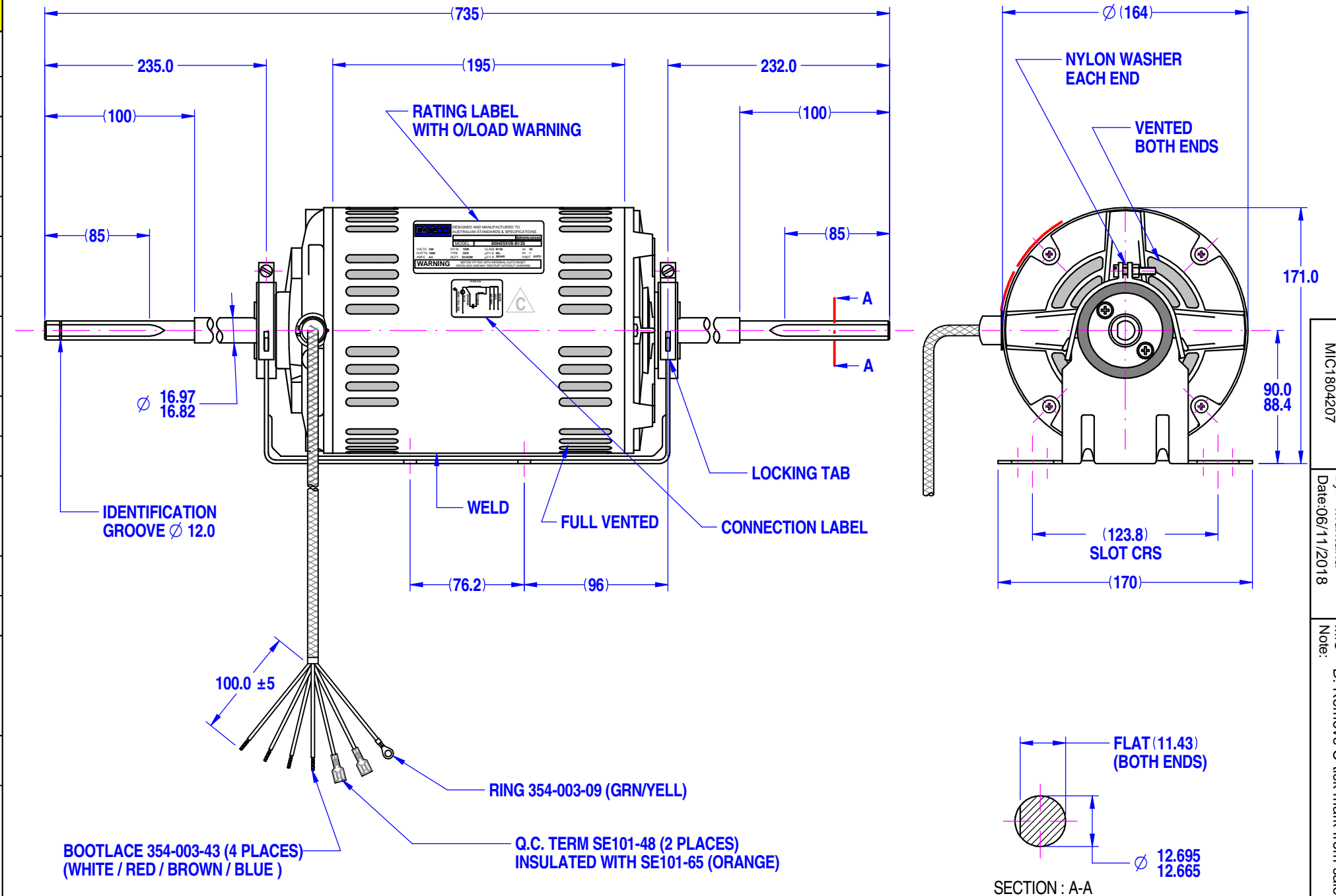
### MOTOR SPECIFICATION

## 809455XVB-B13S

Q.R. No.	7629	CUSTOMER NO.	-
CUSTOMER	FASCO AUSTRALIA		
MOTOR RATING	VOLTS	240	Hz 50 Ph 1 Duty S1 AOM
	RPM.	1400	8.4 AMPS
	NOM. OUTPUT	1500 WATTS	
ROTATION	ANTI CLOCK WISE AT LEAD END		
CAPACITOR	START	-----	μF/V RUN 30/440 μF/V
ENCLOSURE	FULLY VENTED		
MOTOR TYPE	CSR	INSULATION CLASS	B
THERMAL PROTECTION	AUTO RESET OVERLOAD		
APPLICATION	BLOWER MOTOR		
BEARING D.E.	6204 ZZ	LUBRICATION	LONG LIFE, WIDE RANGE
BEARING N.D.E.	6203 ZZ		
SUPPLY LEAD	SINGLE CORE 1500±30 BRAIDED SLEEVING		
EARTH PROVISION	VIA SUPPLY LEAD		
BASIC BUILD SPECIFICATION	305-342-01	PAINT/ COLOUR	PC GREY PLAIN E/SHIELD
PERFORMANCE SPECIFICATION	SP94095-01		
CONNECTION DIAGRAM	305-726-01	RATING LABEL	SSTDAUTO.FMT

FINAL INSPECTED MOTORS MUST COMPLY WITH ELECTRIC MOTOR VIBRATION SPECIFICATION (ES049)

THIRD ANGLE PROJECTION.



DESIGNED AND MANUFACTURED TO AUSTRALIAN STANDARDS & SPECIFICATIONS

ddmmyyxxxx

MODEL 809455XVB-B13S

VOLTS 240	R.P.M. 1400	CLASS B130	Hz 50
WATTS 1500	TYPE CSR	μF/V S NIL	Ph 1
AMPS 8.4	DUTY S1/AOM	μF/V R 30/440	PROT. AUTO

### WARNING

MOTOR FITTED WITH INTERNAL AUTO RESET OVERLOAD AND MAY RESTART WITHOUT WARNING

### SPECIAL REQUIREMENTS:

1)\_CONNECTION LABEL 393-560-01 TO STICK OUTSIDE ON THE CASE ⚠

UNLESS OTHERWISE SPECIFIED : DIMENSIONS ARE IN MM. TOLERANCES

DECIMALS	ANGULAR
.X ± 1.0	± 30'
.XX ± 0.1	

THIS DRAWING REMAINS THE PROPERTY OF FASCO MOTORS AND MAY NOT BE USED, COPIED OR ISSUED WITHOUT WRITTEN PERMISSION FROM FASCO MOTORS

MOTOR WEIGHT	20.0 kg.	
DRAWN	Pongpun	13/05/2010
CHECKED	Pipat	06/11/2018
RELEASED	Suksakorn	06/11/2018
SCALE	N.T.S.	

**FASCO THAILAND**  
29/7-8 MOO 3, BANGKRUAY - SAINOI Rd., BANGKRANG, MUANG NONTABURI DISTRICT, NONTABURI 11000 THAILAND

FRAME	MOTOR	
STATUS	R	
SHEET	B095:9455V1500-KDC	
A3	DWG. NO.	809455XVB-B13S
	REVISION	D

MIC1804207  
By: Murtana  
Date:06/11/2018  
MIC D: Remove C-tick mark from sale drawing.