

## Posh Solus MK3 Rail Shower (4 Star)

### Important Installation Considerations

1. NOTE: Some showers may not provide an effective shower when used with gravity fed heated water systems or where pressures are less than 150kPa at the outlet. Additionally showers with flow rates of less than 9L/min may not allow the following to function correctly:
  - \_ some instantaneous water heaters
  - \_ some tempering valves
  - \_ some thermostatic mixing valves
2. Some shower heads only operate correctly when hot and cold water supplies are both mains pressure and may not be suitable for some instantaneous hot water services.
3. When water pressure is in excess of 500kPa a pressure limiting device is required in accordance with AS/NZS 3500 1.12 recommendation

### Operating Temperature:

Hot: Max 80°C\*  
Cold: Min 5°C

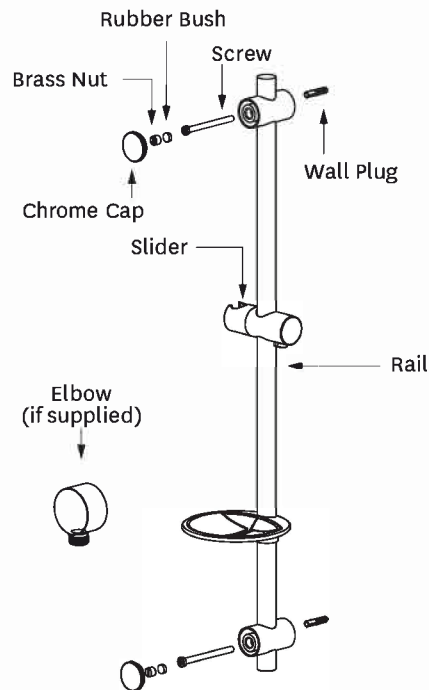
### Inlet Connections:

All ½" BSP

**IMPORTANT:** Please read all of the instructions before installation.

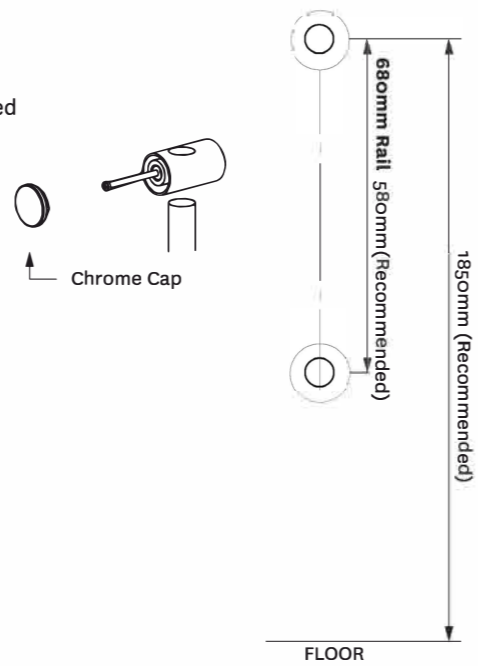
### General:

- \*This product must be installed in compliance with all relevant regional regulations.
- It is the responsibility of the installer to ensure a waterproof seal is achieved between the product and mounting surface. If in doubt about the quality of the seal, remove the product and reinstall using silicone to ensure a seal is achieved.
- All pipe work must be thoroughly flushed prior to the installation of the hose.
- After installation all connections must be checked for leaks.
- All outlets used primarily for personal hygiene shall deliver water at a safe temperature as per regional regulations.



### Step 1

- Remove chrome caps from each pillar. Mount the top and bottom pillars in desired position with the screws and wall plugs. Check the mounts are vertically aligned.



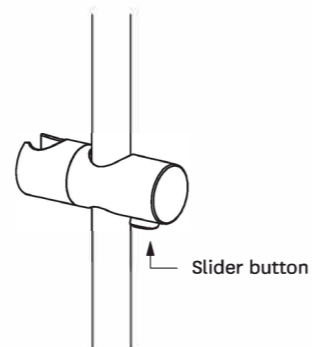
### Step 2

- Insert the rail, slider and soap dish into place.
- Fix the rail in place using the rubber bush and brass nut on both pillars.
- Replace chrome pillar caps.



### Step 3

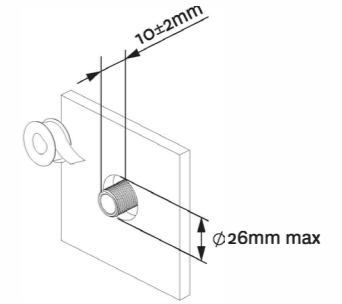
- To adjust slider position, push button to unlock and release button to lock the slider.



### Elbow Installation (if supplied):

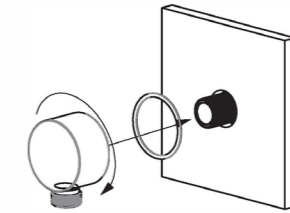
#### Step 1

- Wall lining hole should be cut or finished as per the dimension shown in the diagram on the right.
- Cut off the threaded nipple  $10\pm 2\text{mm}$  from the wall lining and apply thread seal tape to ensure a good seal.



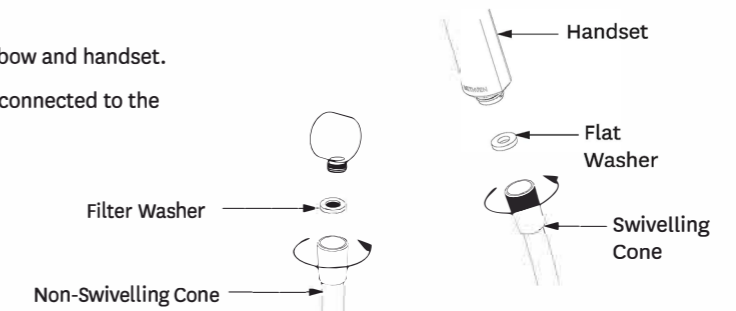
#### Step 2

- Screw the elbow onto the nipple ensuring that the o-ring is sufficiently compressed to create a watertight seal.
- Ensure that the elbow is oriented vertically with the outlet oriented downwards.



#### Step 3

- Connect hose to outlet elbow and handset.
- Ensure swivelling cone is connected to the handset.



### Care and Cleaning:

Never use abrasives or abrasive cleaning agents to clean this product. Clean regularly with contamination free warm soapy water and a damp soft cloth.

Periodically the filter washer should be removed from the end of the shower hose and cleaned.

