

# KADO

## Kado Aspect Round LED Mirror 600

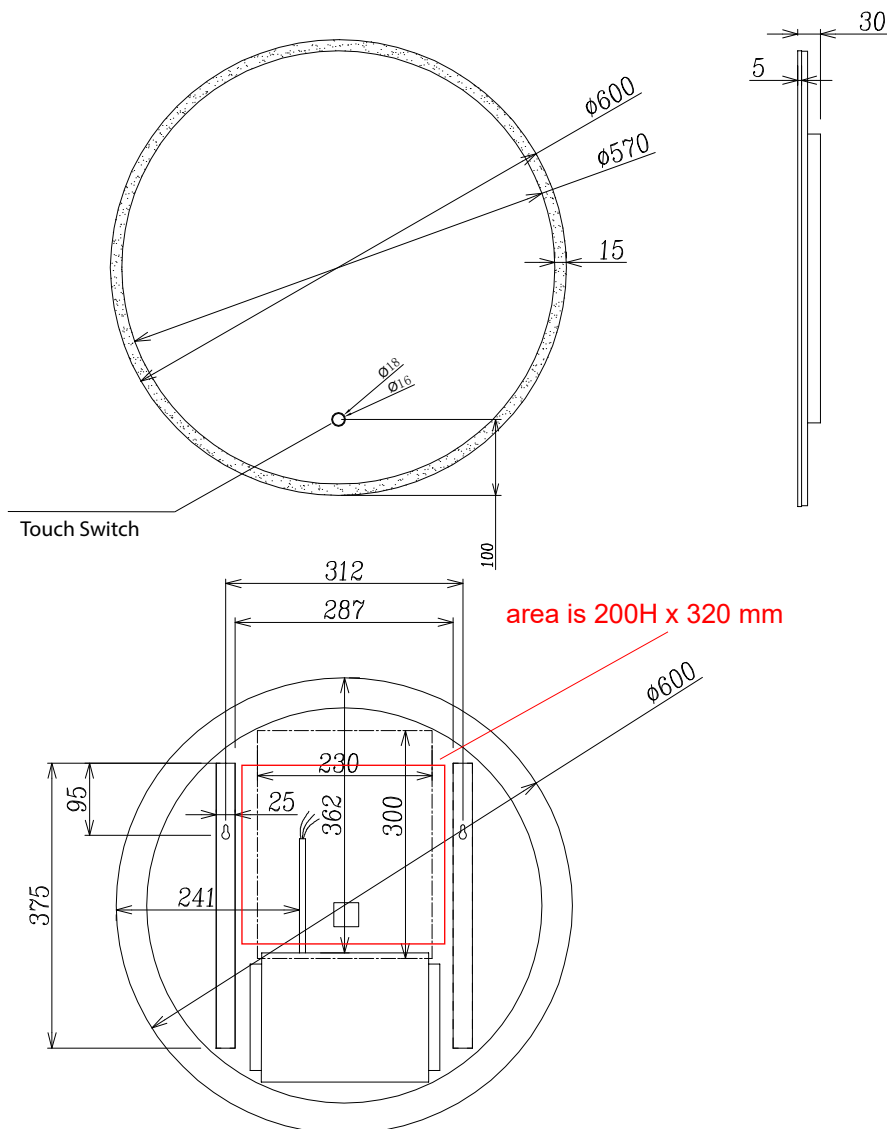
### WARNING

This mirror must be installed by a qualified electrician in accordance with AS/NZS 3000 wiring rules. Switch off the electrical supply at the mains before installation and maintenance. A means of disconnection must be incorporated in the fixed wiring in accordance with the wiring rules. Suitable for bathroom and non-bathroom/dry areas. Not suitable for above baths, nor for installation in saunas, steam rooms or shower cubicles. Please consult with a qualified electrician to confirm appropriate compliant installation location.

Do not connect to a plug and socket outlet. Rated IP44 and suitable for indoor use only. Do not fix to damp or conductive surfaces. Site well away from curtains and fabrics. Never cover the mirror. Switch off after use. Do not leave on for prolonged periods. This appliance is not to be used by persons (including children) with reduced physical, sensory or mental capabilities, or lack of experience and knowledge, unless they have been given supervision or instruction. Children should be supervised to ensure that they do not play with the appliance.

### IMPORTANT!

Inspect the product immediately upon receipt for transit damage, missing parts or manufacturing faults. Handle the product with care and protect against knocks to all sides and edges of the glass.



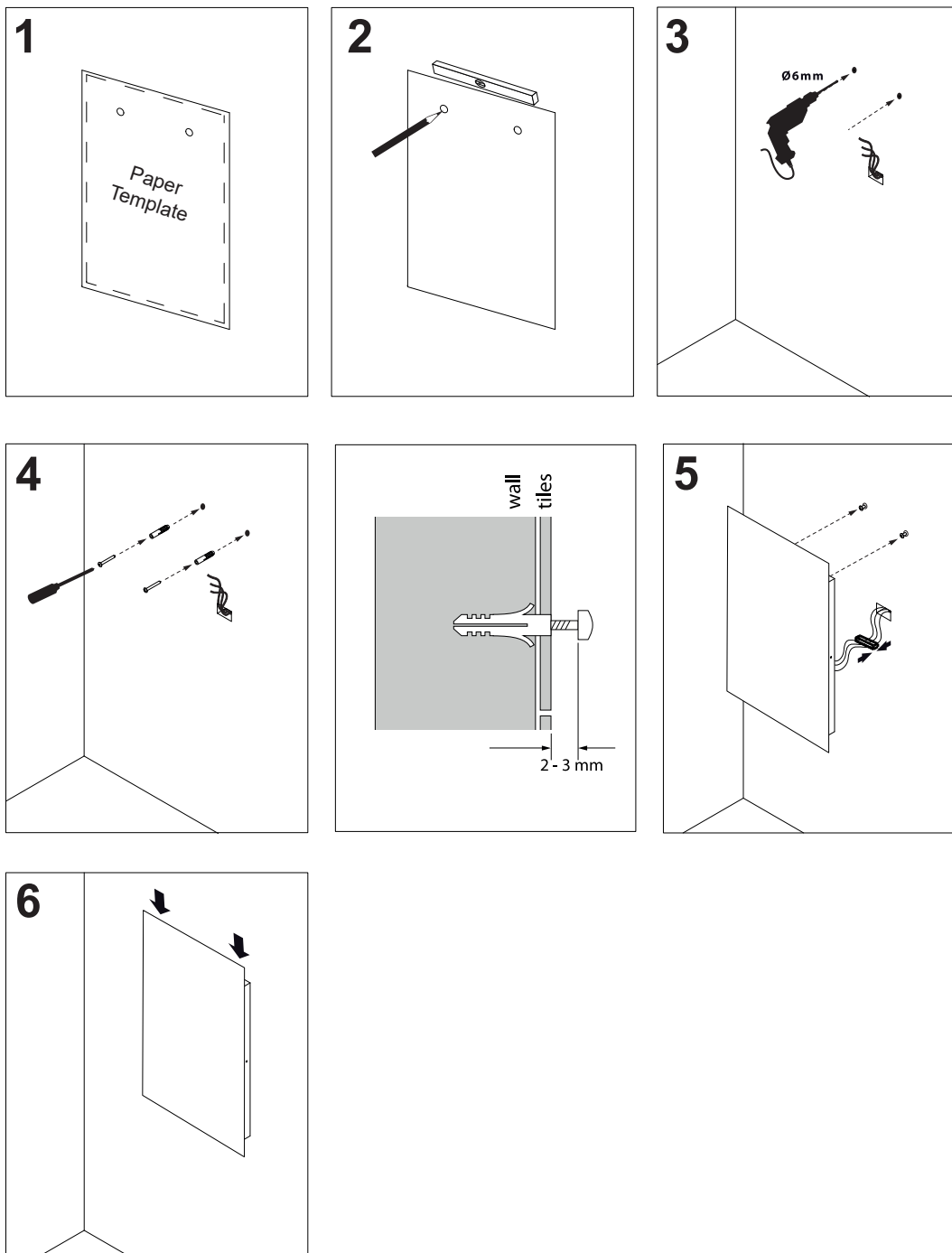
Please ensure a copy of the installation instructions is left with the end user for future reference

## KADO

## Kado Aspect Round LED Mirror 600

1. Place the included template to the back of the mirror to ensure the holes on the template match the mounting holes on the mirror.
2. Tape the supplied template to the wall taking in consideration the position of the mounting holes. With a spirit level, position template and mark each fixing point.
3. Ensure there are no water or electrical sources behind the fixing points and drill wall as per markings.
4. Insert screw anchors suited to the type of wall to which the mirror will be fixed. (Only screws in the case of wood studs)
5. Complete all required electrical connections in the included electrical junction box and hang the mirror on screws.
6. Place screws into the keyholes on the back of the mirror. Once all screws are positioned in keyholes, push mirror down to secure.

\*Diagrams are not to dimension or exact product shape, guide only



Please ensure a copy of the installation instructions is left with the end user for future reference