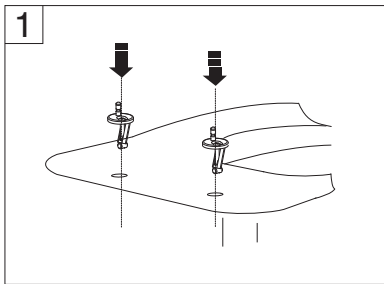
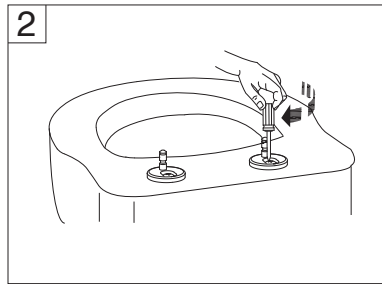


Posh Domaine Soft Close Quick Release Seat

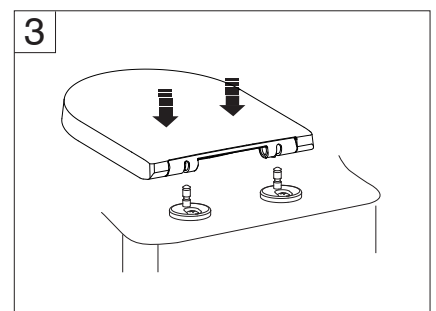
INSTALLATION INSTRUCTIONS



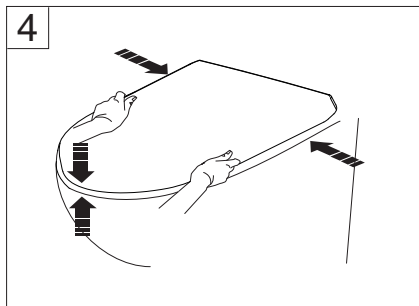
1
Mount the hinges into the hinge holes of the pan (Note: Gel Rings must be fitted under hinge base)



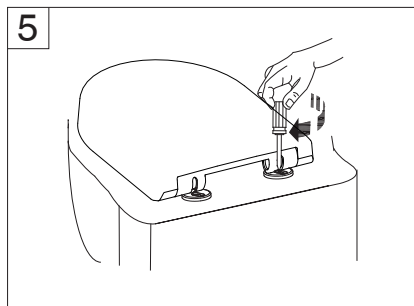
2
Screw the bolts (Note: Do not screw too tightly as the seat will need adjustment in Step 4)



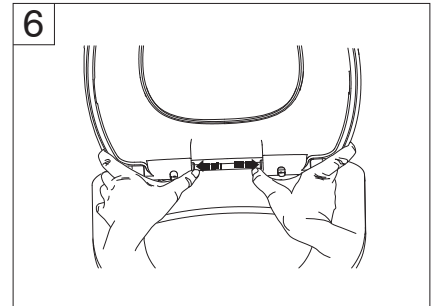
3
Fit the toilet seat



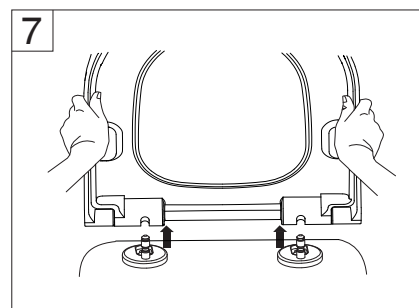
4
Align the toilet seat with the pan



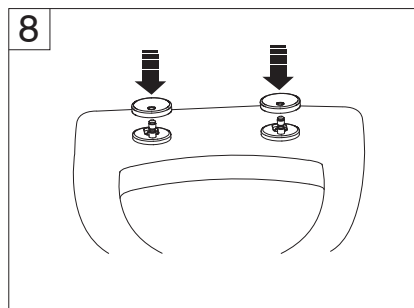
5
Tighten the bolts very firmly



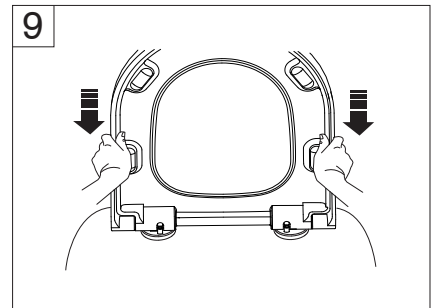
6
Push in the right and left buttons



7
Lift the toilet seat upwards



8
Fit both hinge covers



9
Fit the toilet seat to the hinge pins

Dimensions are nominal measurements only.

Plumbers, please ensure a copy of the installation instructions is left with the end user for future reference.

Published 31/07/2020