

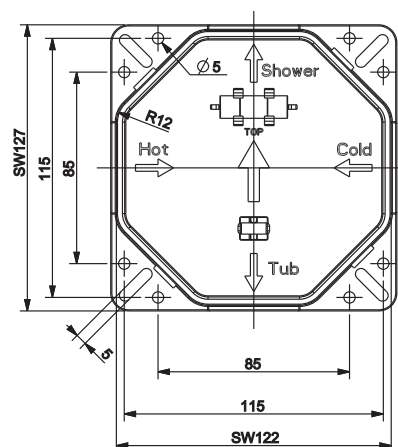
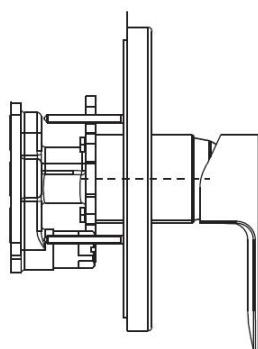
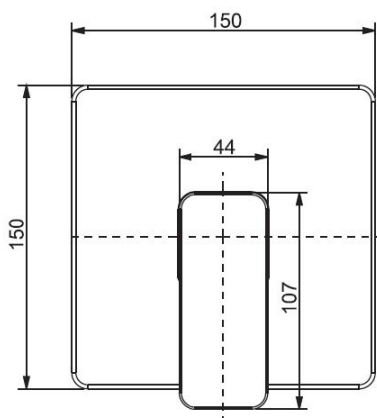
American Standard Cygnet Shower Mixer

SPECIFICATIONS

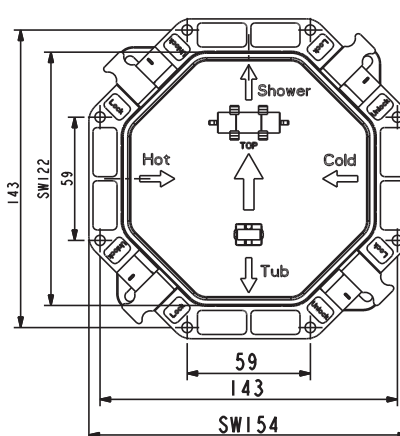
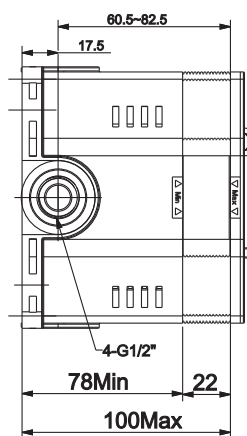
Recommended Use	Domestic, Hotel & Commercial
Colour	Chrome
Recommended Pressure Range	150 - 500kPa
Max Continuous Working Pressure	500kPa
Max Continuous Working Temperature	50°C
Suitable for Storage Tank Hot Water	Yes
Suitable for Continuous Flow Hot Water	Yes
Suitable for Gravity Feed Hot Water	No
Hot and Cold water inlet pressure should be equal	

WARRANTY

Warranty - Domestic Use	10 Years
Spare Parts & Labour	12 Months
<i>Please refer to Warranty Page for full Terms and Conditions</i>	



solid wall installation



hollow wall installation

Dimensions are nominal measurements only.

Disclaimer: Products in this specification manual must by regulation be installed by licensed and registered trade people. The manufacturer/distributor reserves the right to vary specifications or delete models from their range without prior notification. Dimensions are nominal measurements only. Dimensions and set-outs listed are correct at time of publication however the manufacturer/distributor takes no responsibility for printing errors.

Published 03/06/2021

To see the complete American Standard range go to www.reece.com.au/bathrooms

