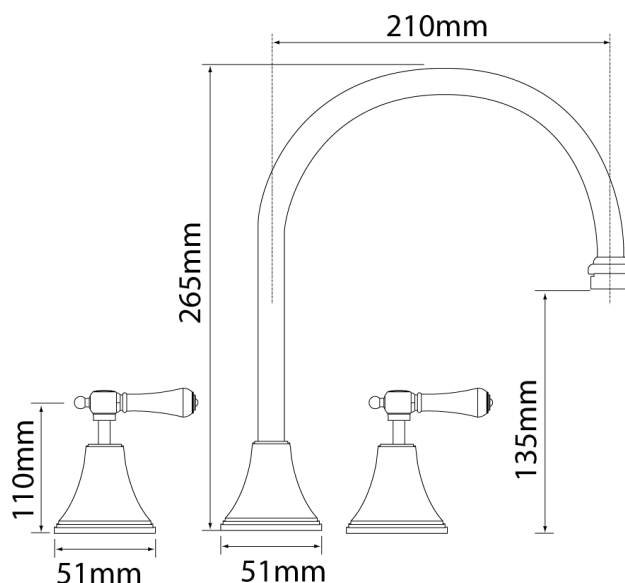


KADO

CLASSIC HOB SPA SET LEVER HANDLE



Dimensions are nominal measurements only.

SPECIFICATIONS

Recommended Use	Domestic, hotel and commercial.
Colour Availability	Chrome, Brass Gold.
Handle Options	Cross Handle, Lever, Porcelain Lever.
Tap Options	Swivel.
Pressure Rating	As per AS/NZS3500 pressure must be limited to 500kPa on any new home, extension or renovation. For best performance and longer life we recommend 150-500kPa. Hot and cold water inlet pressure should be equal.
Temperature Rating:	80°C maximum continuous working temperature.
Suitable Hot Water Units	Storage Tank: Yes Continuous Flow: Yes Gravity Feed: Not suitable



To see the complete KADO range go to www.reece.com.au/bathrooms

CLEANING RECOMMENDATIONS

We recommend the use of soapy water or approved cleaners.

This product should not be cleaned with abrasive materials.

Damage caused by any improper treatment is not covered by the product warranty- refer to Warranty Conditions.



Disclaimer: Products in this specification manual must by regulation be installed by licensed and registered trade people. The manufacturer/distributor reserves the right to vary specifications or delete models from their range without prior notification. Dimensions are nominal measurements only. Dimensions and set-outs listed are correct at time of publication however the manufacturer/distributor takes no responsibility for printing errors.

Tech Page Version 1



KADO

CLASSIC HOB SINK SET LEVER HANDLE



Chrome



Porcelain Chrome



Brass Gold



Porcelain Brass Gold

Don't risk it, use a licensed plumber.™



KADO

CLASSIC HOB SINK SET LEVER HANDLE

INSTALLATION INSTRUCTIONS

IMPORTANT INFORMATION, please read before starting installation.

1. This tapware may come partially assembled. This is for packaging purposes only.
2. It is the plumbers responsibility to ensure that all assembled components and threaded joints are checked for correct assembly prior to installing.
3. All threaded joints are to be taped with suitable plumbers tape or sealed with a recommended sealing compound.
4. Prior to installation, the tapware must be pressure tested using the appropriate testing equipment.
5. Prior to installation, the installer is responsible for ensuring installation of the correct plumbing fittings and the set out distances are correct for the product supplied.

FOR THE PLUMBER:

1. All work should be carried out by a licensed plumber. Responsibility will not be accepted for incorrect installation of this tapware, or any tapware not installed by a Registered Plumber.
2. The water supply lines need to be 'flushed out' prior to installation. This will avoid any foreign materials blocking the flow regulator, damaging the cartridge/valve and reducing the flow of water.

For Basin/Sink Installation:

3. Insert the spout assembly into the center hole of basin or sink and securely mount from the underside of the basin or sink.
4. Remove the handle and flange from the tap bodies. Trim the breaching piece if necessary to suit with the basin or sink hole centres. Assemble with the tap bodies.
5. Insert the tap bodies through the underside of basin or sink. Complete the assembly by installing back the flange cover and handle.
6. Connect the correct water supplies to the tap bodies.
7. Ensure all connections are tight.
8. Turn on the main water supply and check for leaks.

For Wall Installation:

3. Connect the spout assembly into the wall outlet.
4. Install the stuffing box assembly to the wall connection. Ensure it is connected to the correct water supply.
5. Ensure all connections are tight.
6. Turn on the main water supply and check for leaks.

For Hob Installation:

3. Connect the spout assembly into the hob outlet.
4. Install the stuffing box assembly to the hob connection. Ensure it is connected to the correct water supply.
5. Ensure all connections are tight.
6. Turn on the main water supply and check for leaks.

For Single Inlet Installation:

3. Connect the tap assembly into the outlet.
4. Ensure all connections are tight.
5. Turn on the main water supply and check for leaks.