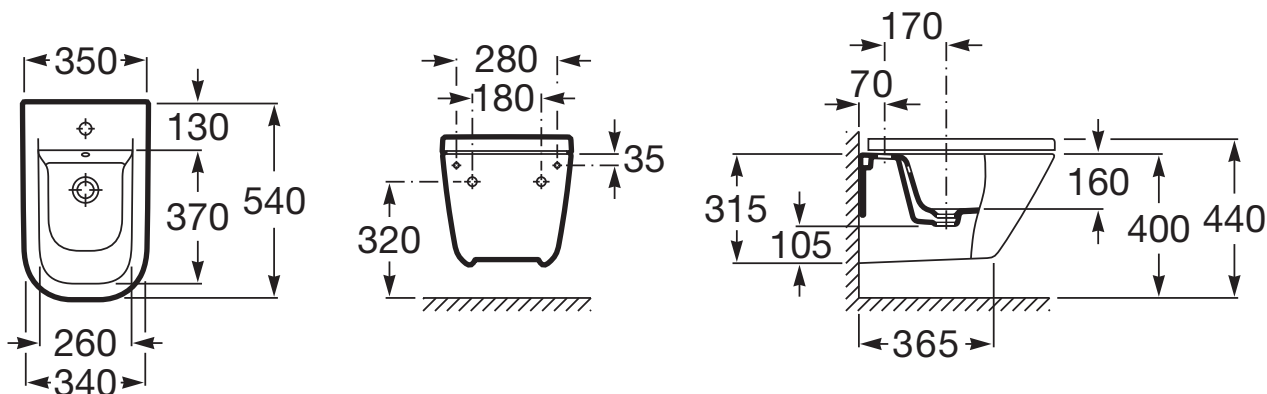


# ROCA

## THE GAP WALL HUNG BIDET



Dimensions are nominal only

### SPECIFICATION

<b>Recommended Use</b>	Domestic, hotel and commercial
<b>Weight</b>	22.5Kg
<b>Fixing</b>	Using solid or cavity (bracket not supplied)
<b>Standards</b>	AS 3494
<b>Overflow</b>	Integrated Overflow



To see the complete Roca range go to [www.reece.com.au/bathrooms](http://www.reece.com.au/bathrooms)

### CLEANING RECOMMENDATIONS

We recommend the use of soapy water or approved bathroom cleaners. This bathroom product should not be cleaned with abrasive materials. Damage caused by any improper treatment is not covered by the product warranty. Refer to Warranty Page for full Terms and Conditions.

**Disclaimer:** Products in this specification manual must by regulation be installed by licensed and registered trade people. The manufacturer/distributor reserves the right to vary specifications or delete models from their range without prior notification. Dimensions and set-outs listed are correct at time of publication however the manufacturer/distributor takes no responsibility for printing errors.

Tech Page Version 1

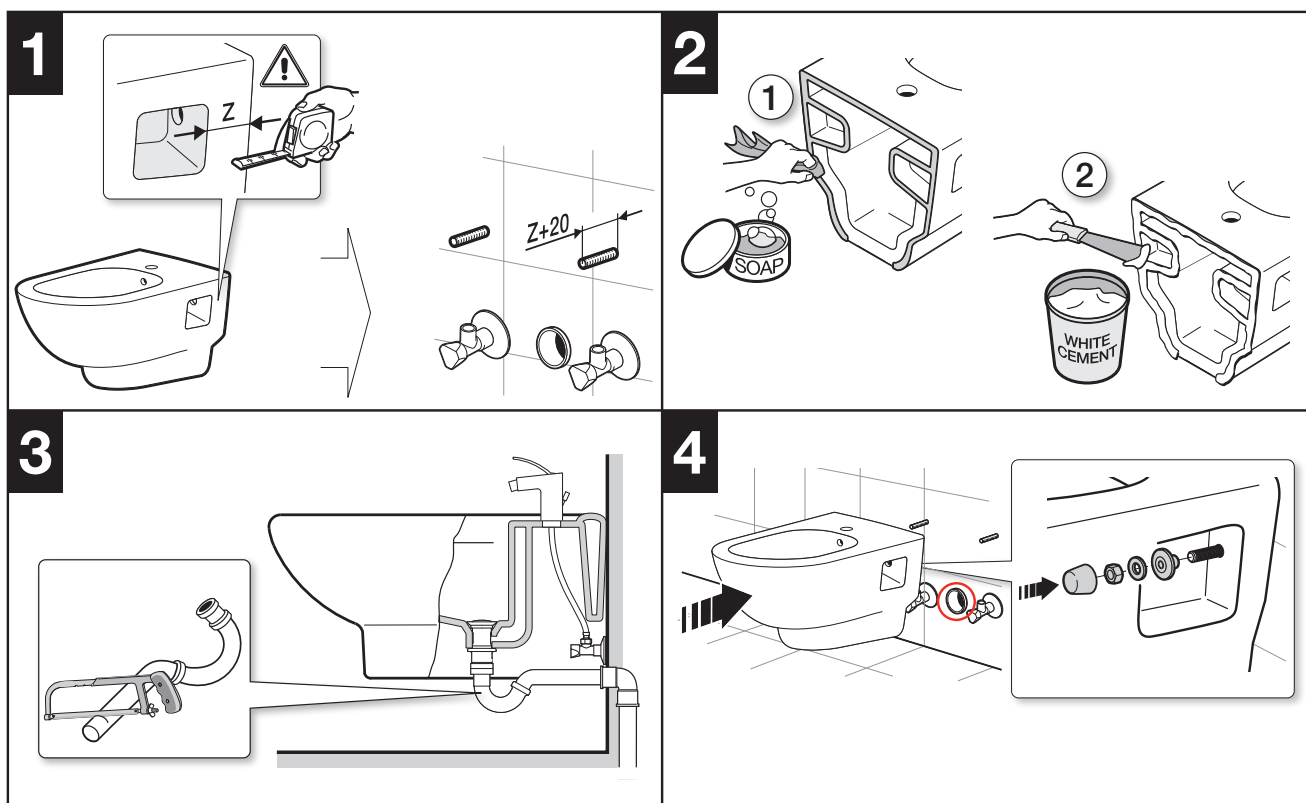
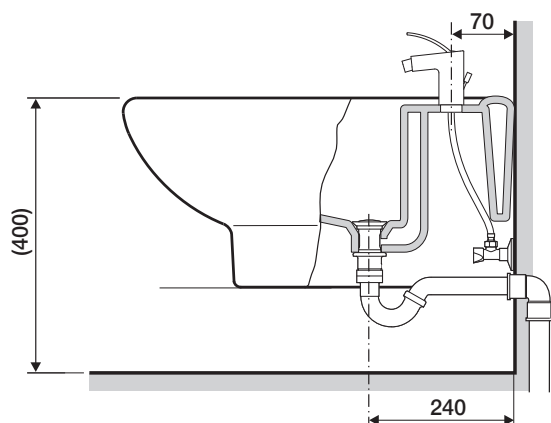
**Roca**

**reece**

# ROCA

## THE GAP WALL HUNG BIDET

### INSTALLATION



- When using the recommended lever operated pop up waste (1852365 Mizu Bidet Pop UP Waste 32x4 W/Of CP), a PVC short P trap (1408905) needs to be offset to allow the lever to operate