

Plumbers Installation Instructions For Liano Ceramic Hand Wall Basin

PLEASE READ CAREFULLY BEFORE INSTALLATION

LIANO HAND WALL BASIN INSTALLATION

Procedure D.200 Fixing Screw Kit.

IMPORTANT

Provide suitable reinforcement behind finished wall for the basin D.200 Fixing Screws at the fixing height position.

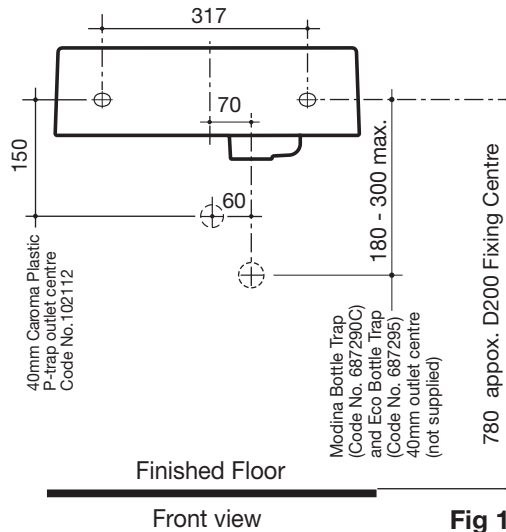
Roughing in for D.200 Fixing Screw Kit :

For timber stud walls, noggins and studs must be positioned at a height to allow for the location of fasteners as detailed in Fig 1.

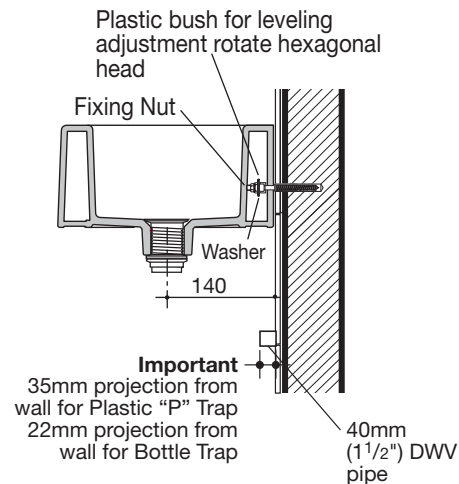
BASIN INSTALLATION WITH D.200 FIXING SCREW KIT

- 1- Mark Fixing Screw hole position on finished wall at the recommended height as detailed in Fig 1.
- 2- Drill two Ø12mm holes in masonry wall for expansion fasteners. For timber stud walls drill two Ø8mm holes for Fixing Screws.
- 3- Insert expansion fasteners into the drilled holes in masonry wall. Screw Fixing Screws into the wall using the flats located on the screws section of the stud and spanner as shown in Fig 2. Allow 38mm of thread to protrude from the finished wall.
- 4- Fit taps and waste assembly to the basin.
- 5- Locate basin onto the Fixing Screws on the wall. Insert Plastic Bushes, metal washers and fasten to wall with Fixing Nut. To complete assembly as detailed in Fig 3.
- 6- The Plastic Bush allows for leveling adjustment if required by rotating the hexagonal head bush, the basin will be slightly raised or lowered as shown in Fig 3.
- 7- Tighten Fixing Nuts and connect plumbing to complete the installation.

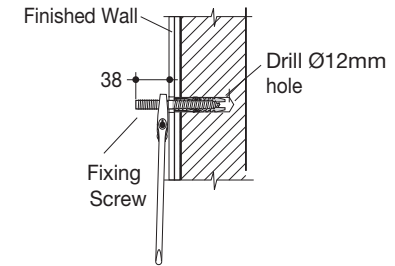
Fixing Positions D.200 Fixing Screw Kit



D.200 Fixing Screw Kit Completed Installation



Fixing Screw Masonry Walls Installation



Fixing Screw Timber Stud Walls Installation

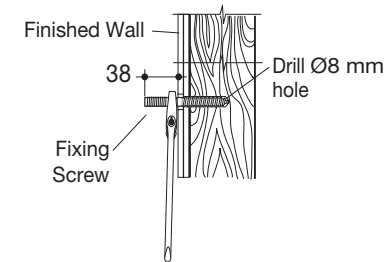


Fig 2

D.200 Basin Fixing Screw Kit

