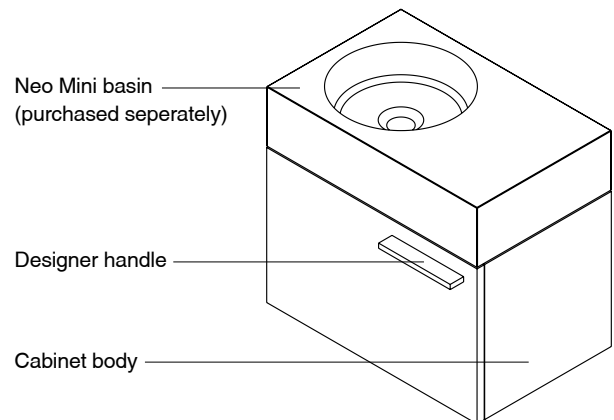
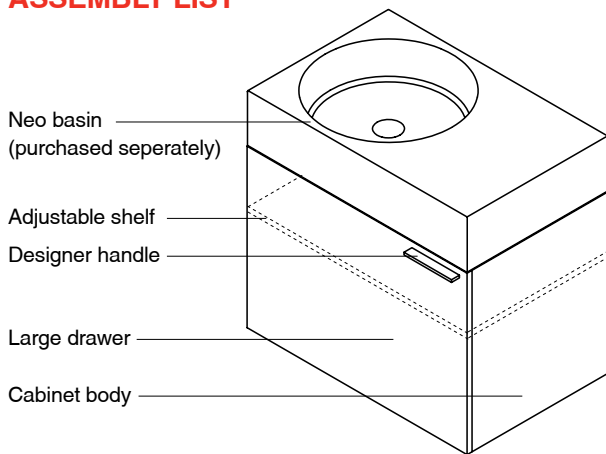


NEO WALL HUNG VANITY UNIT

ASSEMBLY LIST



Note: Neo Mini comes with pull down drawer and doesn't include a shelf

NEO BASIN INSTALLATION INSTRUCTIONS

No claims for damages / defects will be recognised after installation.

Prior to installation it is important to unpack and inspect your products to ensure no damage has occurred in transit and that the product IS CORRECT.

If damage has occurred, or a visible defect exists, do not proceed with installation and contact supplier IMMEDIATELY.

Step 1. Mark out bolt positions ensuring they are level and at the correct height.

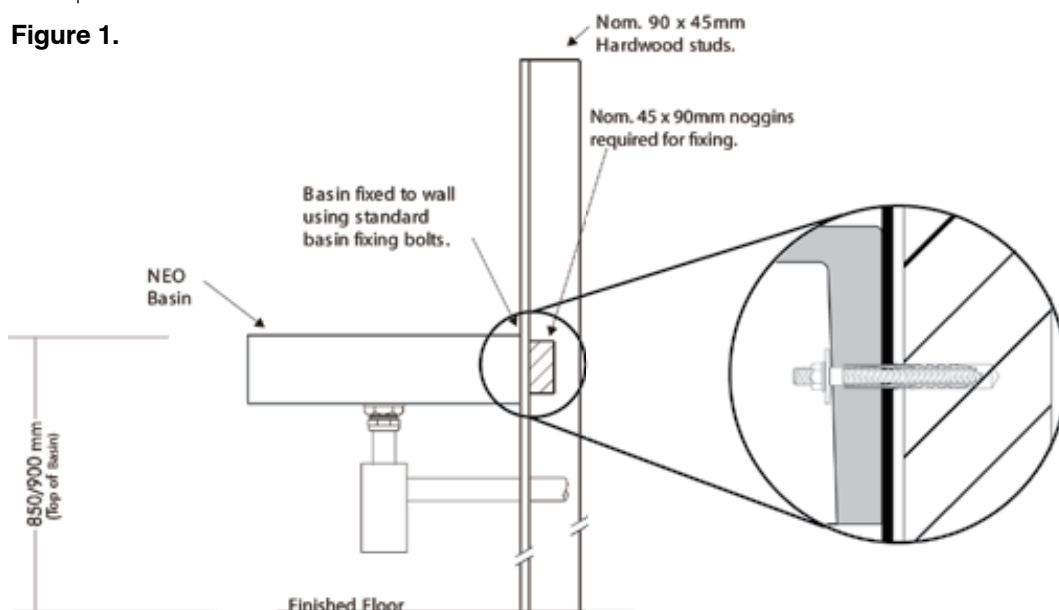
Step 2. Installer to determine appropriate fixings, ensure wall is suitable and studs, noggins etc. are in appropriate locations.

Step 3. Once appropriate fixings are in the wall, place basin over bolts and tighten.
See figure 1.

Step 4. Once basin is attached to wall, connect trap and other hardware as necessary.

Note: Bottle trap is not included with basin

Figure 1.



Dimensions are approximate. Information provided in this installation is a guide only. We recommend having the product on site prior to rough in.

Plumbers, please ensure a copy of the installation Instructions is left with the end user for future reference

NEO WALL HUNG VANITY UNIT

NEO CABINET INSTALLATION INSTRUCTIONS

No claims for damages / defects will be recognised after installation.

Prior to installation it is important to unpack and inspect your products to ensure no damage has occurred in transit and that the product IS CORRECT.

If damage has occurred, or a visible defect exists, do not proceed with installation and contact supplier IMMEDIATELY.

Step 1. Remove drawer and align cabinet directly under the already installed Neo basin.

See figure 2 and 3.

The Neo Mini cabinet has a pull down door not a removable drawer therefore you don't have to remove anything to install this particular cabinet on your wall.

NOTE: Often cabinets are made slightly smaller than the vanities so the basin can overhang the cabinet sides. Ensure your basin is centred over the cabinet when installing.

Step 2. Installer to determine appropriate fixings and provide adequate wall framing (studs/nogging) to ensure secure mounting of cabinet.

Step 3. If the wall is not level/square, packers must be used to prevent cabinet twisting/malfunction.

Step 4. As a minimum, use fixings at all corners and top and bottom centres. Use additional fixings if required. All fixings must be secured to wall framing (studs/noggins). See figure 4.

Step 5. Insert the drawer by simply locating the runners and pushing it in. Ensure runners 'click' into location. Test operation by opening and closing ensuring it's secure to the cabinet.

Figure 2.

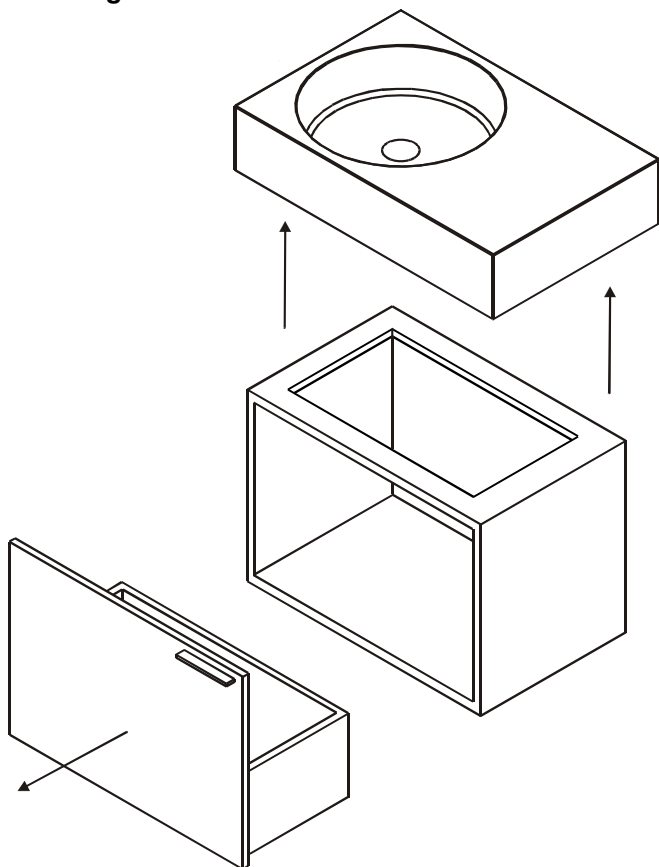
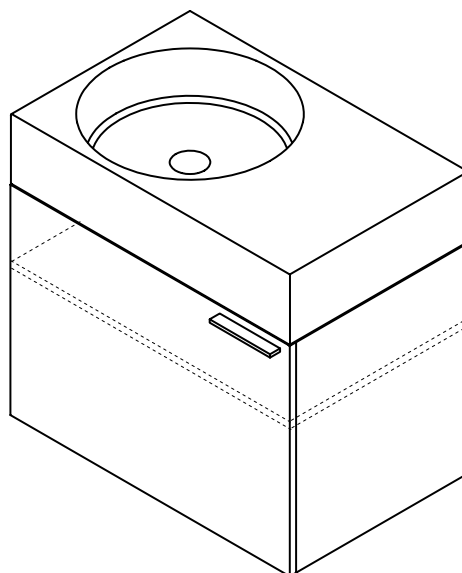


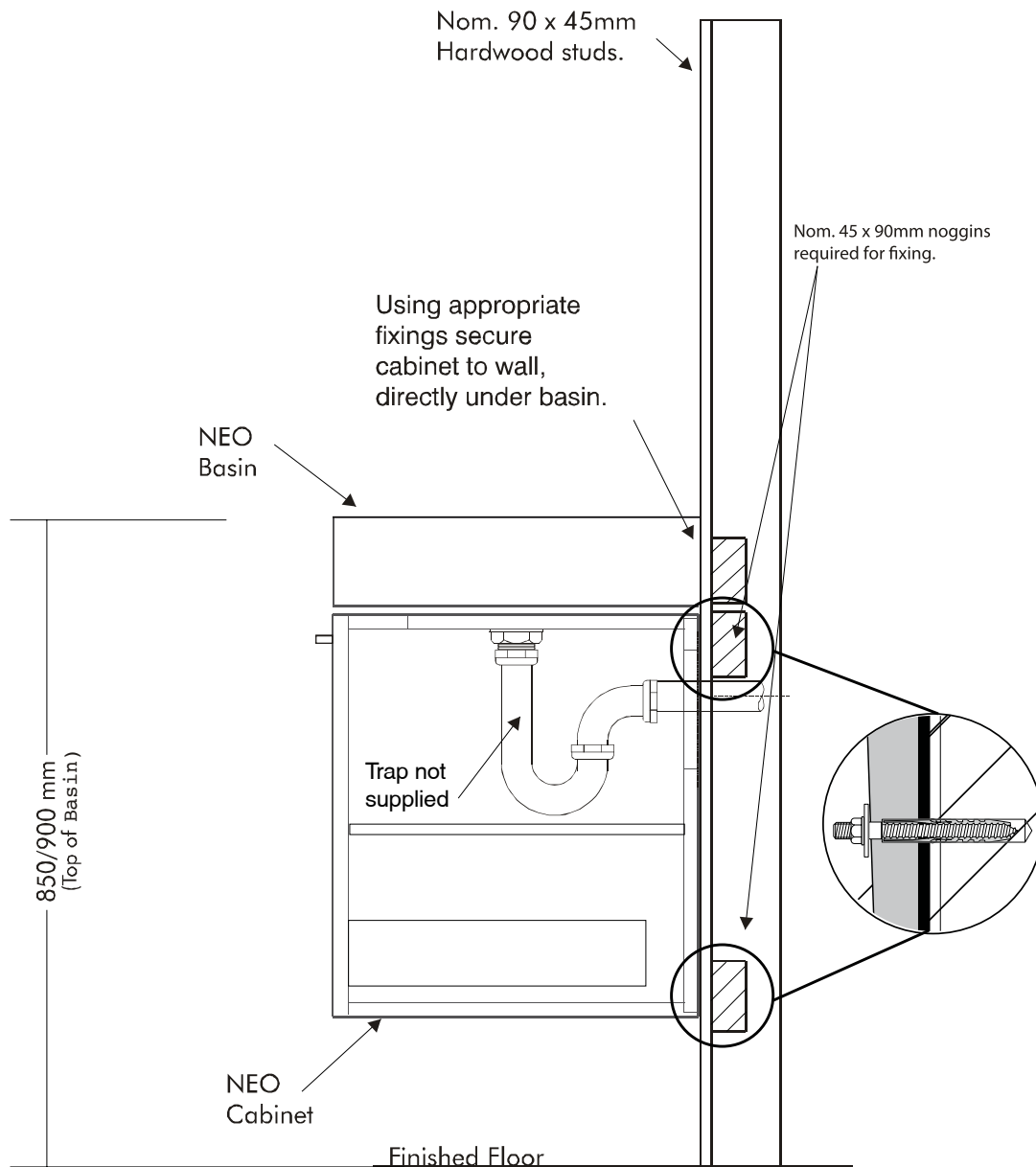
Figure 3.



Plumbers, please ensure a copy of the installation Instructions is left with the end user for future reference

NEO WALL HUNG VANITY UNIT

Figure 4.



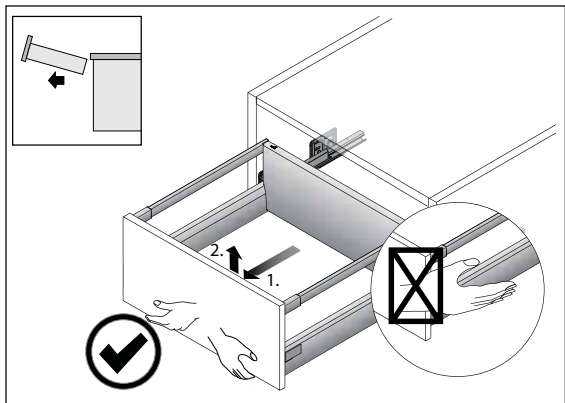
Dimensions are approximate. Information provided in this installation is a guide only. We recommend having the product on site prior to rough in.

Plumbers, please ensure a copy of the installation Instructions is left with the end user for future reference

NEO WALL HUNG VANITY UNIT

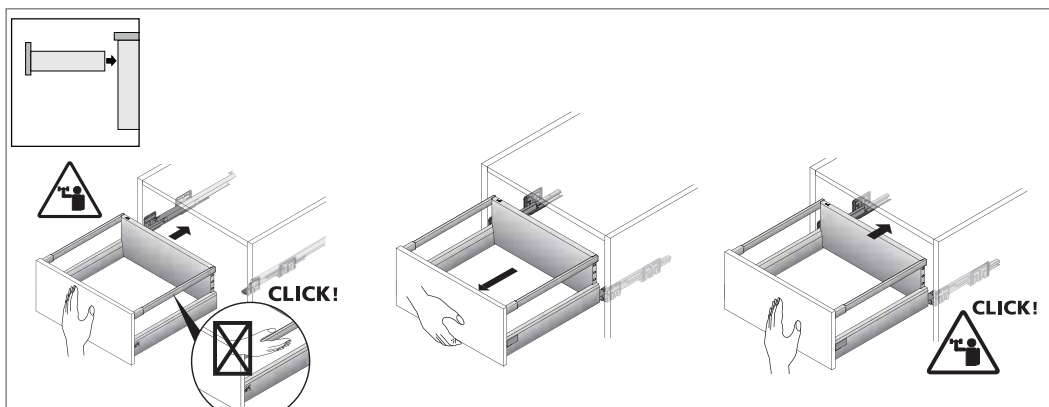
NEO CABINET DRAWER ADJUSTMENT INSTRUCTIONS

Figure 5. Removing drawer



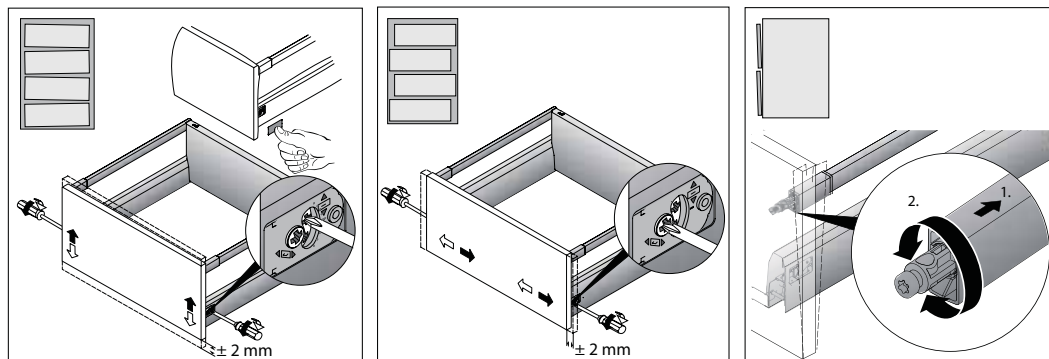
Remove drawer by pulling fully out and then pull upward, holding the underside front

Figure 6. Replacing drawer



Drawer is inserted by locating it on the runners and pushing it in. Ensure runners 'click' into location. Test operation by opening and closing

Figure 7. Adjusting drawer front



Drawer front height is adjustable at both left and right by maximum $\pm 2\text{mm}$. Rotate click wheel with screwdriver firmly located in place.

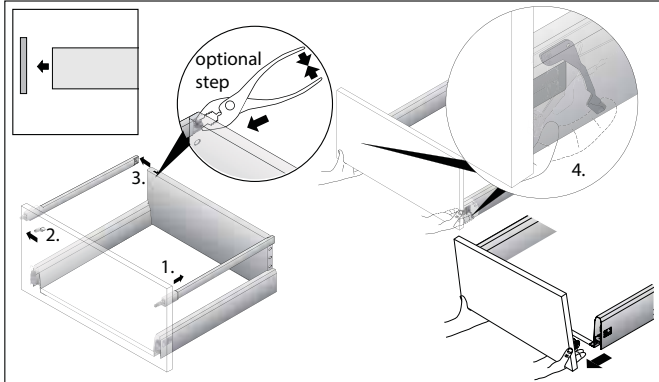
Drawer front sideways location adjusts left and right by maximum $\pm 2\text{mm}$. Use screwdriver on adjustment screws at left and right. Adjust as required.

Drawer front tilt is adjustable. Slide back rail cover. Rotate plastic lug in either direction to adjust accordingly.

NEO WALL HUNG VANITY UNIT

NEO CABINET DRAWER ADJUSTMENT INSTRUCTIONS

Figure 8. Replacing drawer front



If front panel requires replacing it is easily removed & reinstalled.

1. Slide left & right rail covers back
2. Detach rails from drawer front panel by pushing to one side.
3. (Optional) Using pliers, remove rails by closing lugs & pulling rail away
4. Disengage front drawer panel by actuating left and right levers. Remove panel