

mizu

Mizu Bloc Heated Towel Rail 850 x 760 Polished Stainless Steel

WARNING

This product must be installed by a qualified electrician in accordance with AS/NZS 3000 wiring rules. Switch off the electrical supply at the mains before installation and maintenance. A means of disconnection must be incorporated in the fixed wiring in accordance with the wiring rules. For complete temperature control a wall mounted dimmer switch (with "off" position) is recommended. Suitable for bathroom and non-bathroom/dry areas. Not suitable for above baths, nor for installation in saunas, steam rooms or shower cubicles. Please consult with a qualified electrician to confirm appropriate compliant installation location.

Do not connect to a plug and socket outlet. Rated IP45 and suitable for indoor use only. Do not fix to damp or conductive surfaces. Site well away from curtains and fabrics. Switch off after use.

This appliance is not to be used by persons (including children) with reduced physical, sensory or mental capabilities, or lack of experience and knowledge, unless they have been given supervision or instruction concerning use of the appliance by a person responsible for their safety.

Children should be supervised to ensure that they do not play with the appliance.

WARNING: In order to avoid a hazard for very young children, this appliance should be installed so that the lowest heated rail is at least 600mm above the floor.

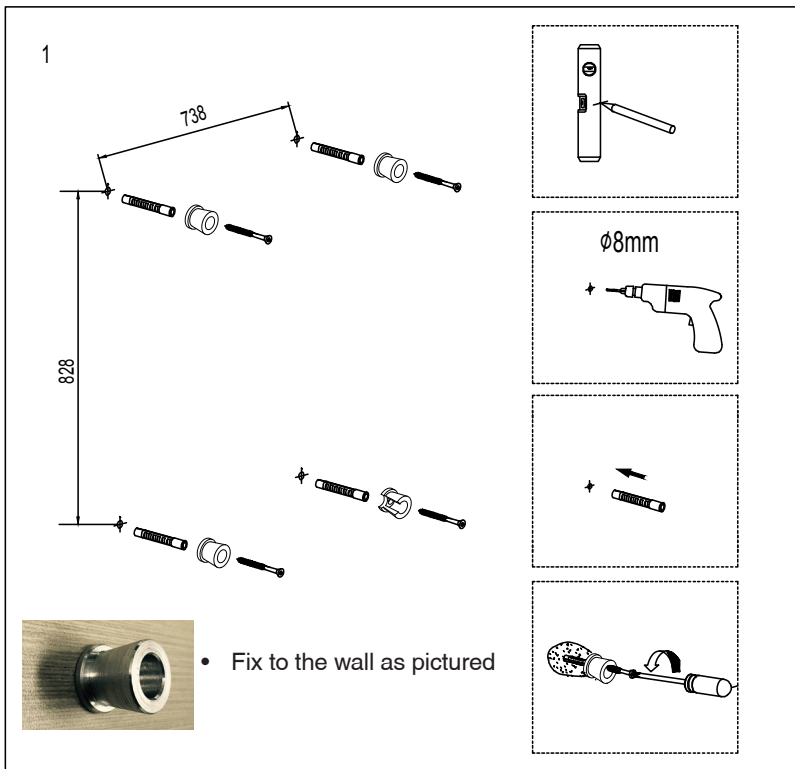
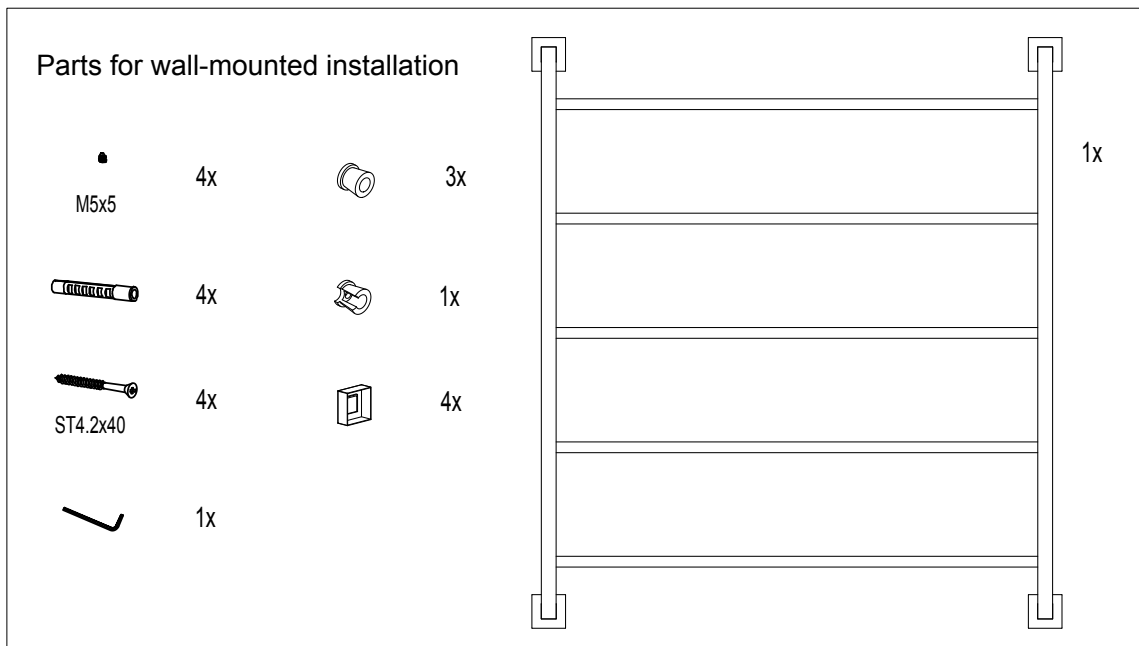
For safety, please **DO NOT** use for any purpose other than as a towel rail and a towel warmer. To avoid damage **DO NOT** sit, stand, lean or hang on product.

mizu

Mizu Bloc Heated Towel Rail 850 x 760 Polished Stainless Steel

INSTALLATION INSTRUCTIONS

Please consult with a qualified electrician to confirm appropriate compliant installation location.

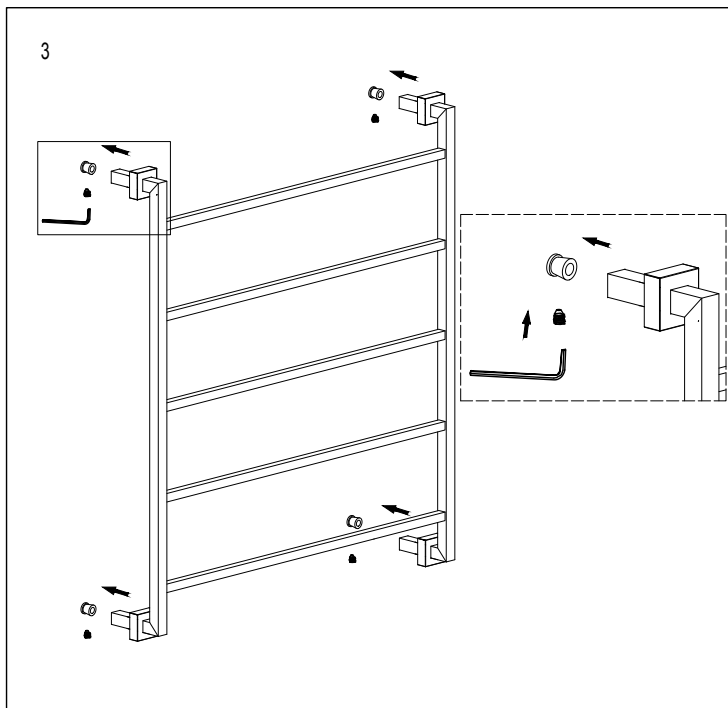
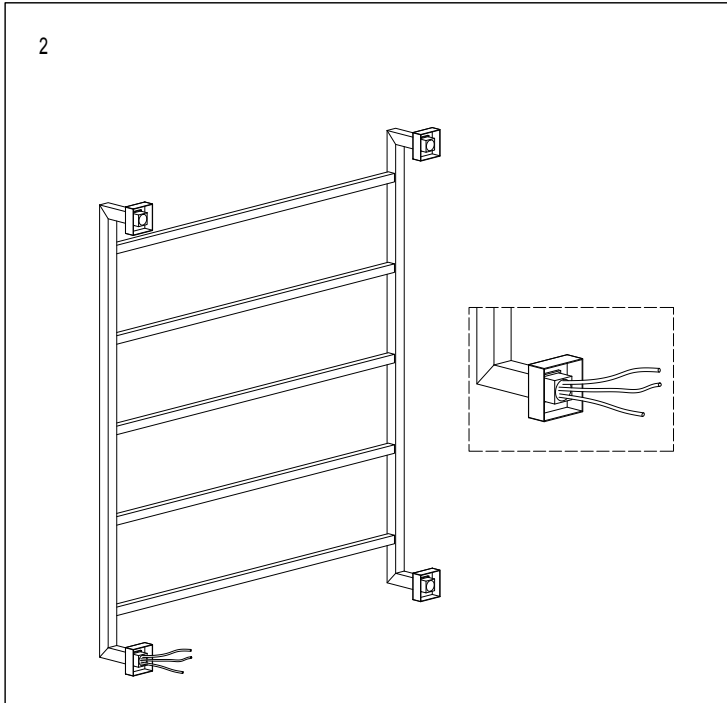


- Use the fixing point distances provided to mark out the fixing points.
- Before drilling, check that the product aligns to the marked fixing points and make adjustments if necessary.
- Note: Wall materials vary. The fixing kit supplied is suited for solid wall fixing. For timber framed walls, please ensure the product is fixed to a stud/noggin behind the wall. Where a stud/noggin is not available, please use suitable hollow wall fixing.

mizu

Mizu Bloc Heated Towel Rail 850 x 760 Polished Stainless Steel

- Connect the power chord to the power supply.



- With the allen key provided, tighten the grub screws to ensure that towel rail stays in position.

mizu

Mizu Bloc Heated Towel Rail 850 x 760 Polished Stainless Steel

OPERATION AND MAINTENANCE

- After installation, connect the electric power and turn on the wall switch. The towel warmer will start to work
- Turn off the wall switch when towel warmer is not in use. The towel warmer will stop working
- Clean the towel warmer with a soft dry towel.
- This unit has been designed to run continuously

The surface temperature is high when towel warmer operates. PLEASE BE CAREFUL!