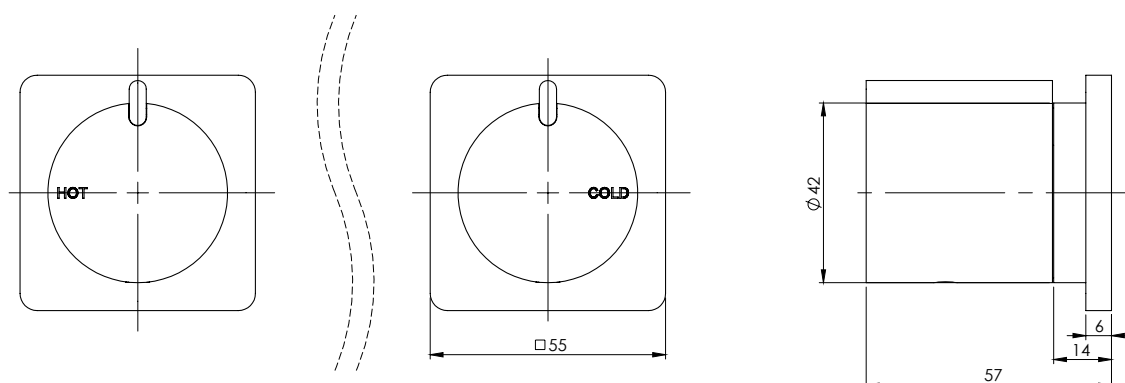


MILLI AXON

EXTENDED WALL TOP ASSEMBLIES



SPECIFICATIONS

Recommended Use	Domestic, hotel and commercial
Finish Available	Chrome Handle with Chrome B/P Chrome/Black Handle with Chrome B/P Chrome/Black Handle with Black B/P
Pressure Rating	Maximum continuous operating pressure 500 kPa. Note: For best performance and longer life we recommend 150-500 kPa.
Temperature Rating	Maximum continuous working temperature 75°
Suitable Hot Water	Storage Tank: No Continuous Flow: Refer to manufacturer of continuous hot water systems Gravity Feed: No
Standards	AS/NZS 3718



To see the complete Milli range go to www.reece.com.au/bathrooms

CLEANING RECOMMENDATIONS

This product should not be cleaned with abrasive materials eg. steel wool/scourers. Damage caused by any improper treatment is not covered by the product warranty - refer to Warranty Conditions.



Disclaimer: Products in this specification manual must by regulation be installed by licensed and registered trade people. The manufacturer/distributor reserves the right to vary specifications or delete models from their range without prior notification. Dimensions are nominal measurements only. Dimensions and set-outs listed are correct at time of publication however the manufacturer/distributor takes no responsibility for printing errors.

Tech Page Version 1

Milli


reece

MILLI AXON EXTENDED WALL TOP ASSEMBLIES


INSTALLATION INSTRUCTIONS

Milli Axon Wall Top Assemblies INSTALLATION INSTRUCTIONS

WATER SUPPLY REQUIREMENTS



Recommended Working Pressure
150 KPa Min.
550 KPa Max.



Maximum hot water temperature
75°

Note:

- If the pressure exceeds or is likely to exceed 550kpa, an approved pressure limiting device must be installed.
- Flush out all pipe work prior to installation.
- If the water temperature exceeds 75°C, an approved tempering valve must be fitted.
- Installation should comply with Australian standard AS3500.1 or relevant local authority requirements.

Failure to comply with the above may void all warranties.

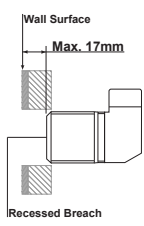
Maintenance and Care

- Chrome plated surfaces should be cleaned with mild liquid detergent or soap and water.
- **Do not** use cream cleaners or citrus based cleaning products, as they are abrasive.
- Use of unsuitable cleaning agents may damage the surface. Any damage caused in this way will not be covered by warranty.

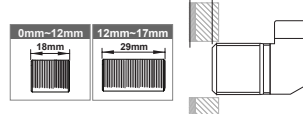
1 Check seats in Recessed Breach are in good condition and are free of foreign objects.

Recommended installation range for Recessed Breach as shown in diagram.

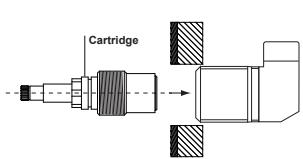
Reseat if required.



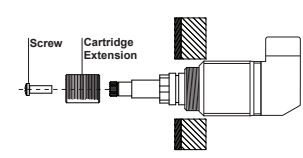
2 Measure the distance from Recessed Breach to Wall Surface. Check against diagram below to determine which cartridge extension to be used in step 4.



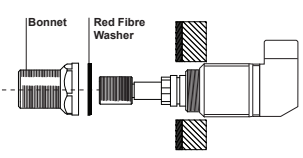
3 Screw Cartridge into Recess until Cartridge seals with seat in Recess. **Do not over-tighten**



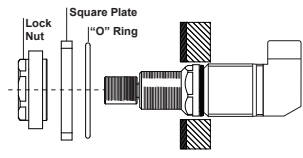
4 Fit the cartridge extension onto the cartridge spindle. Fasten screw.



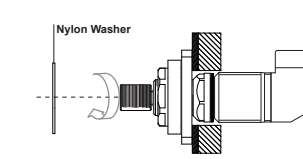
5 Fit Red Fibre Washer around the cartridge. Fasten Bonnet onto the cartridge firmly with a spanner.



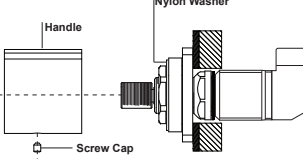
6 Fit "O" Ring to Square Plate. Place Square Plate into position. Fasten Lock Nut to secure Square Plate.



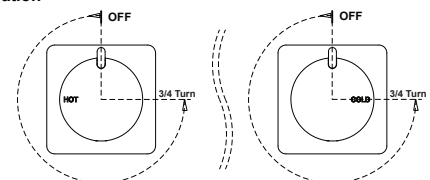
8 Fit Nylon Washer into the groove of Lock Nut. Turn the cartridge clockwise until it stops at the "OFF" position.



9 Push on Handle over the cartridge extension. Fasten Grub Screw firmly, push in Screw Cap.



Mixer Operation



NOTE : The handle with hot marking must be on the left hand side as viewed from the users position.