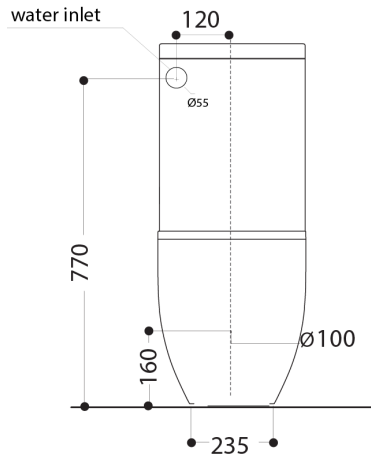
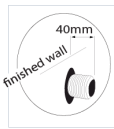


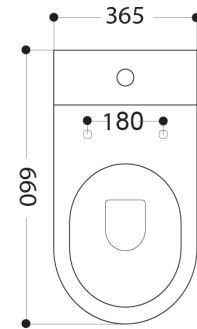
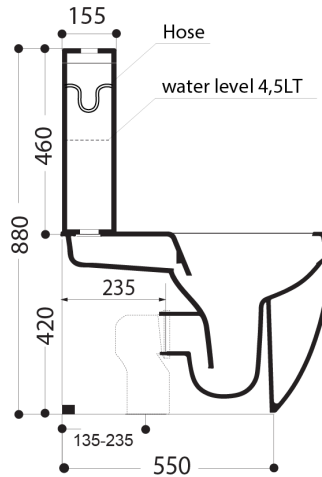
AXA

AXA UNO RIMLESS CC BTW TOILET SUITE



Front View

Picture 1



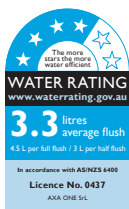
SPECIFICATIONS

Recommended use	Domestic, hotel and commercial
Colour availability	White
Rim configuration	Rimless
Bowl configuration	P Trap (converts to S using plastic S-bend provided)
Set out	S Trap: 135-235mm P Trap: 160mm fixed
Pan fixing	Screwed to floor using brackets supplied and bedded with sealant
Cistern fixing	Bolted directly to pan
Seat	Matching top fix seat supplied with suite (soft close quick release)
Material	Vitreous china
Weight	Pan: 23kg Cistern: 13kg
Standards	AS 1172.1 and AS 1172.2
Water inlet	Back inlet, left hand side (from front)
Cistern	4.5/3 litre dual flush
Inlet valve	Rec. max working pressure 500kPa
Warranty	15 years (refer to warranty)
Hose	To connect to both the ministop and the inlet valve as shown in picture 1



CLEANING RECOMMENDATIONS

We recommend the use of soapy water or approved bathroom cleaners. This bathroom product should not be cleaned with abrasive materials. Damage caused by any improper treatment is not covered by the product warranty - refer to Warranty Conditions.



Disclaimer: Products in this specification manual must by regulation be installed by licensed and registered trade people. The manufacturer/distributor reserves the right to vary specifications or delete models from their range without prior notification. Dimensions are nominal measurements only. Dimensions and set-outs listed are correct at time of publication however the manufacturer/distributor takes no responsibility for printing errors.

Published 18/03/2020

