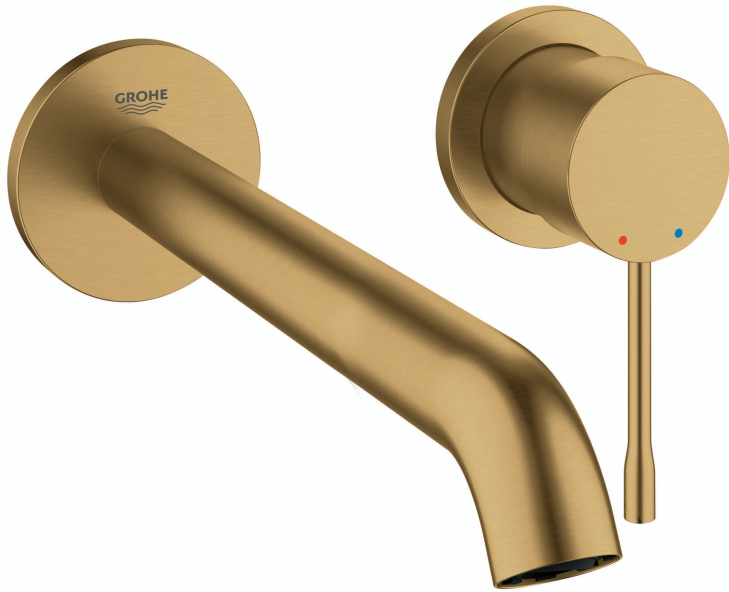


ESSENCE NEW  
WALL BATH MIXER TRIMSET 230MM  
MODEL #19967GN1GN2

Pure Freude  
an Wasser



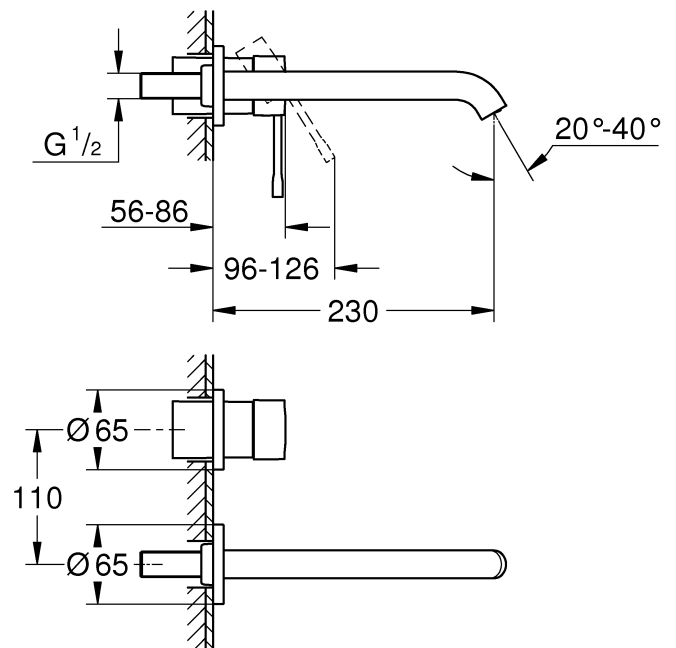
Product Specifications



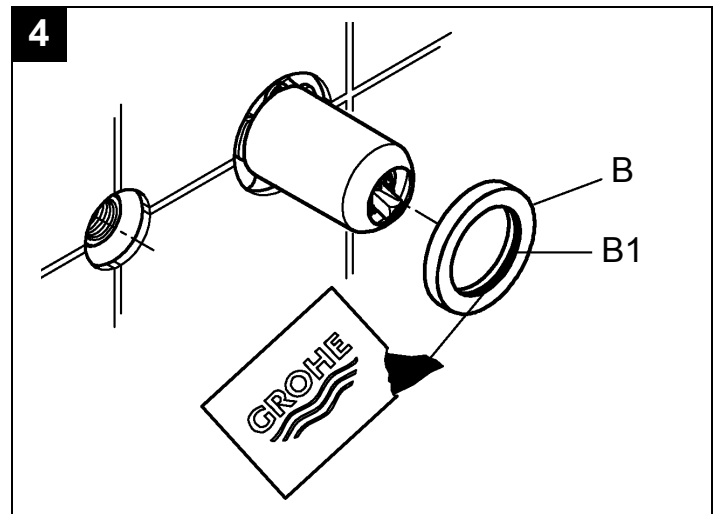
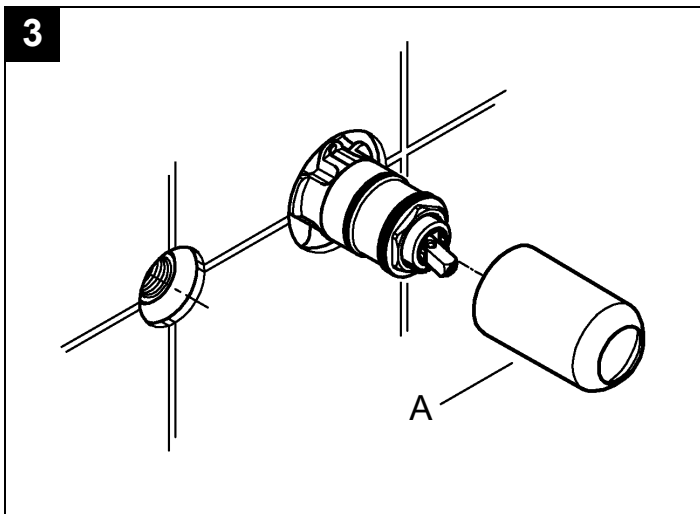
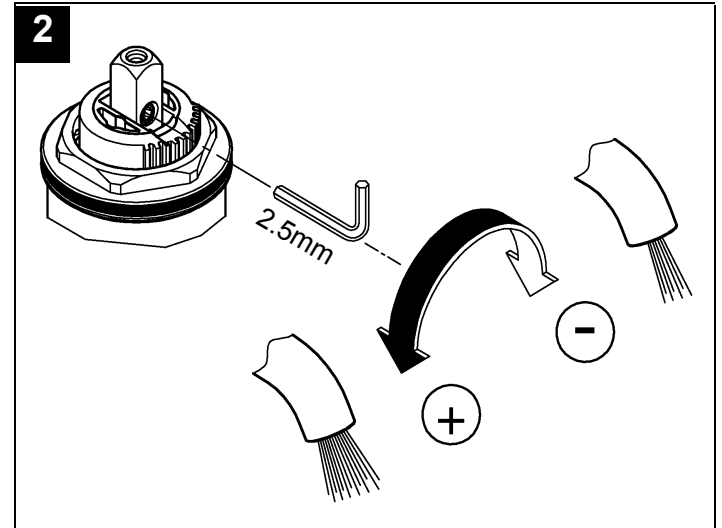
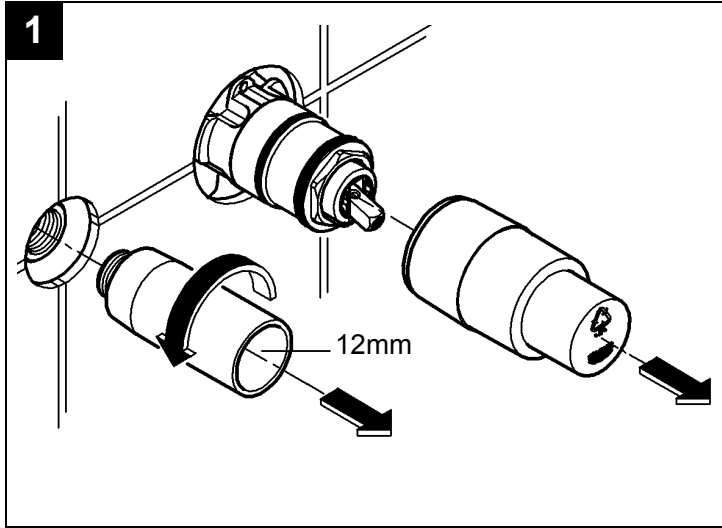
Product Description:

**Essence New**

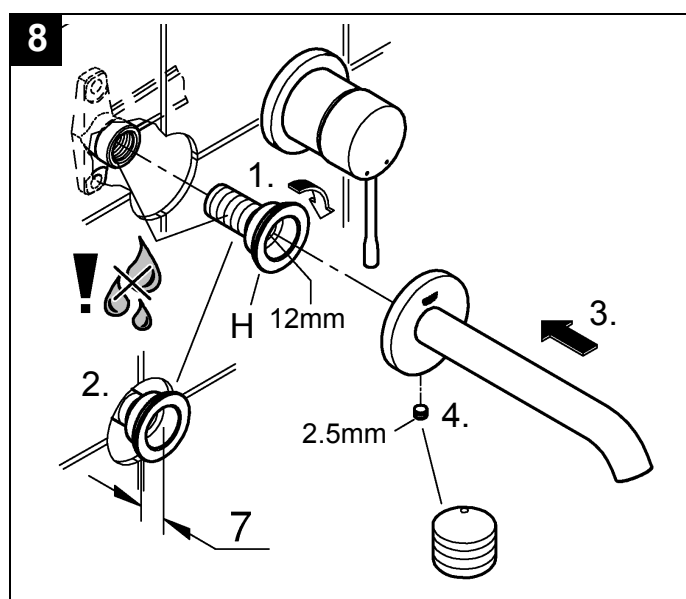
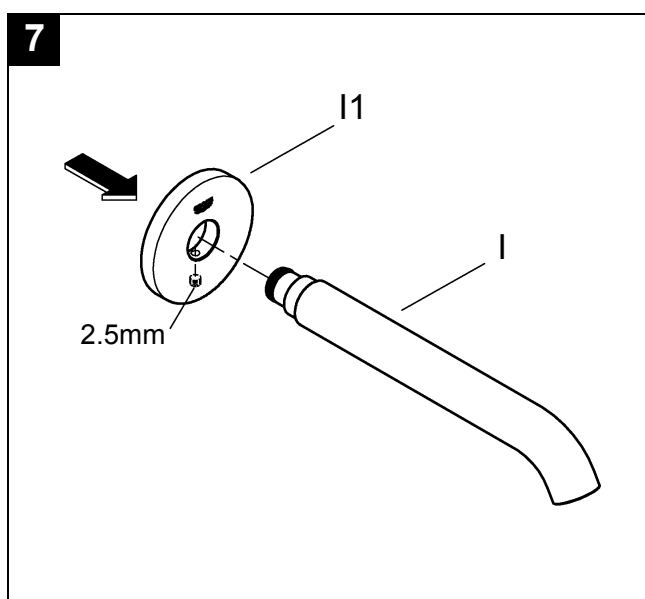
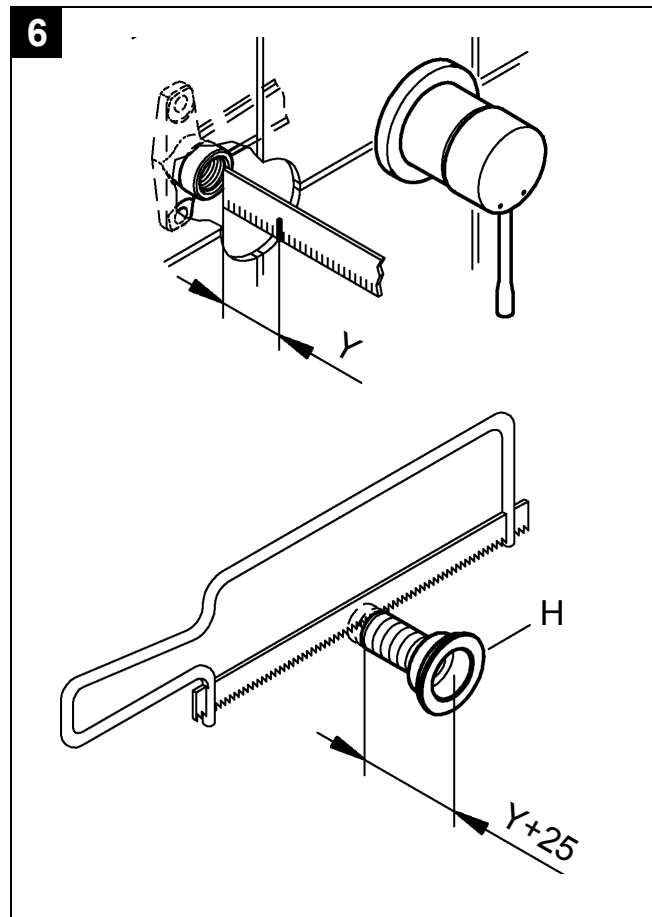
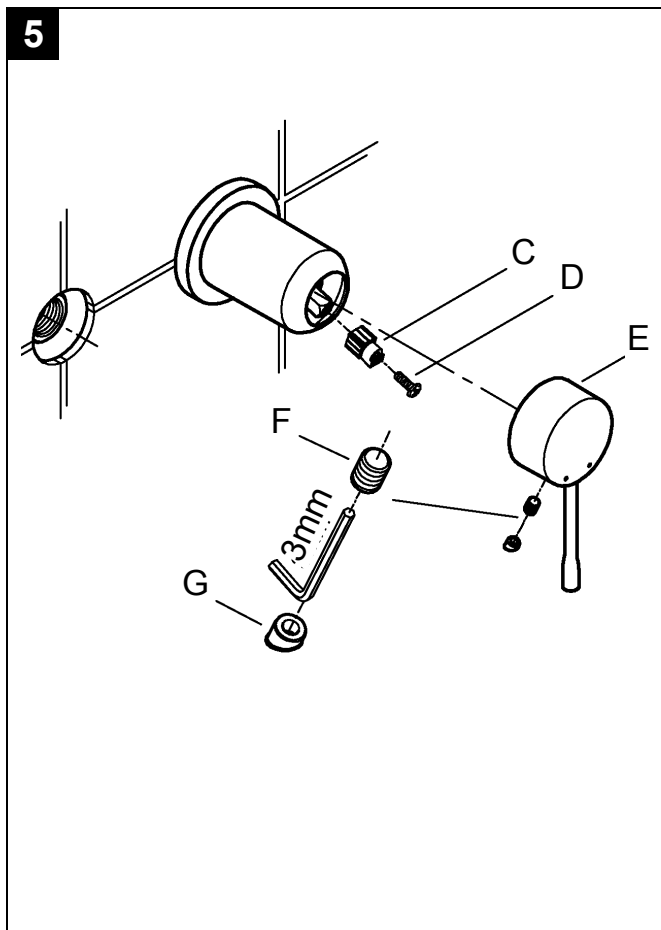
Two-hole wall bath mixer trimset  
M-Size  
wall mounted  
set for final installation for 32635000  
without concealed body  
metal escutcheon  
metal lever  
**GROHE StarLight** brushed cool sunrise finish  
**GROHE AquaGuide** adjustable mousseur  
center distance 110 mm  
projection 230 mm  
min. recommended pressure 100 kPa



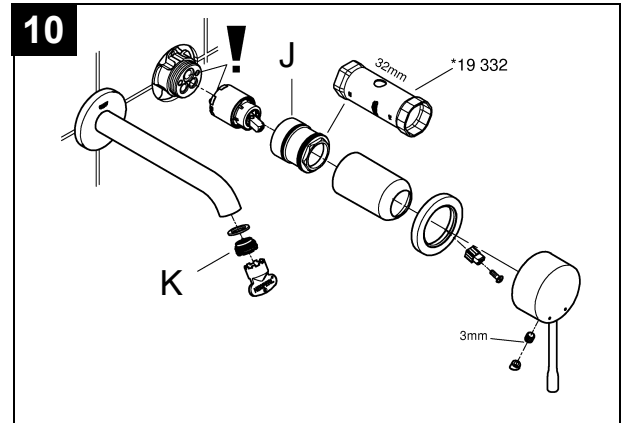
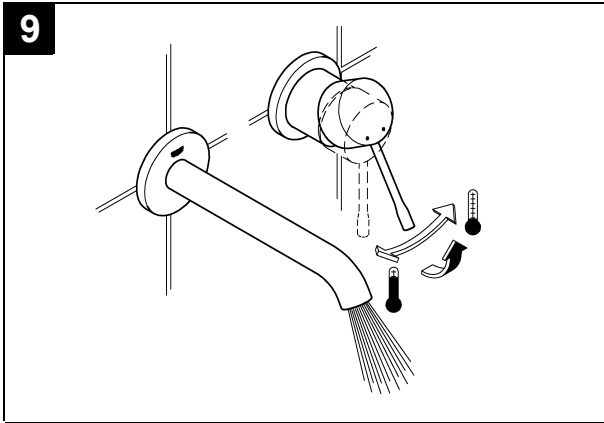
Installation instructions



Installation instructions



Installation instructions



**Installation Instructions**

**Flush piping system prior and after installation of fitting thoroughly!**

**Installation and connection**, see Figs [1] to [10]. Refer to the dimensional drawing above. For installation with 32635000 concealed in-wall body. **PLEASE NOTE** face of noggins need to be positioned a minimum of 45mm & a maximum of 75mm from where the finished wall surface will end up when installing inwall concealed body 32635000.

**Installation**

Shut off hot and cold water supply.

- I. Install escutcheon and lever, see Figs. [3], [4] and [5].
  1. Attach cap (A), see Fig. [3].
  2. Grease seal (B1) and push on escutcheon (B), see Fig. [4].
  3. Attach insulating insert (C) and secure with screw (D), see Fig. [5].
  4. Attach lever (E), secure by tightening the loosely fitted set screw (F) using a 3mm allen key and insert plug (G).  
If the escutcheon will not slide far enough onto the cap, you must additionally install an extension (see replacement parts fold-out page I, Prod. no.: 46 627 = 25mm).

- II. Install spout, see Figs. [6], [7] and [8].
  1. Determine dimension "Y" from the leading edge of built-in fitting housing to face of tiles, see Fig. [6].
  2. Cut connection nipple (H) so that the installation dimension is "Y" + 25mm.
  3. Fasten spout (I) to escutcheon (I1) using a 2,5mm allen key, see Fig. [7].
  4. Using an 12mm allen key, screw connection nipple (H) into the built-in fitting housing until the installation dimension is 7mm. Tighten spout (I) from below using an 2,5mm allen key, see Fig. [8].

**Specifications:**

- Flow pressure min. 50 kPa - recommended 100 - 500 kPa
  - Operating pressure max. 1000 kPa
  - Test pressure 1600 kPa
- If static pressure is greater than 500 kPa, fit pressure reducer. Avoid major pressure differences between cold and hot water supply.
- Recommended maximum static pressure test time 30 minutes.
  - **Temperature**  
Hot water inlet: (maximum) 80 °C  
Recommended: (energy saving) 60 °
  - Water connection cold - right  
hot - from below

**Note:**

When installing concealed mixer body, please note it must be mounted onto timber or solid walls using appropriate reinforcement to ensure sufficient strength.

**Open cold and hot water supply and check connections for leakage!**

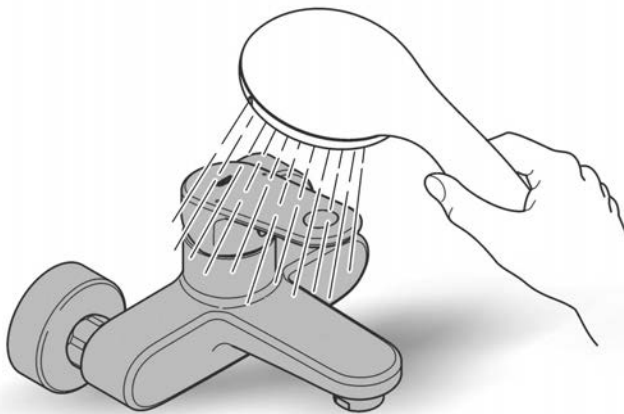
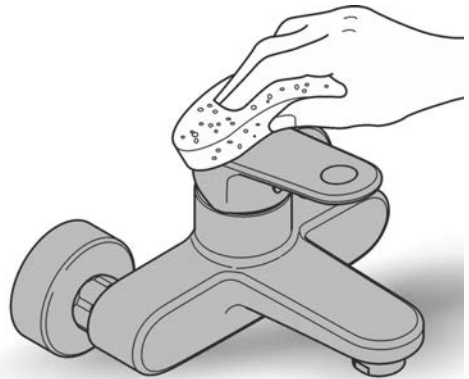
**Care**

For directions on the care of this fitting, please refer to the accompanying care instructions.

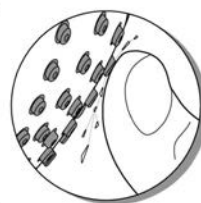
This product must be installed in conformance with local codes e.g. AS/NZS 3500 series of standard!



48166000



SpeedClean



Pure Freude  
an Wasser

**GROHE**  


**D**

+49 571 3989 333  
impressum@grohe.de

**A**

+43 1 68060  
info-at@grohe.com

**AUS**

+1300 054 945  
grohe\_australia@lixil.com

**B**

+32 16 230660  
info.be@grohe.com

**BG**

+359 2 9719959  
grohe-bulgaria@grohe.com

**CAU**

+99 412 497 09 74  
info-az@grohe.com

**CDN**

+1 888 6447643  
info@grohe.ca

**CH**

+41 448777300  
info@grohe.ch

**CN**

+86 21 63758878

**CY**

+357 22 465200  
info@grome.com

**CZ**

+420 277 004 190  
grohe-cz@grohe.com

**DK**

+45 44 656800  
grohe@grohe.dk

**E**

+34 93 3368850  
grohe@grohe.es

**EST**

+372 6616354  
grohe@grohe.ee

**F**

+33 1 49972900  
marketing-fr@grohe.com

**FIN**

+358 10 8201100  
teknocalor@teknocalor.fi

**GB**

+44 871 200 3414  
info-uk@grohe.com

**GR**

+30 210 2712908  
nsapountzis@ath.forthnet.gr

**H**

+36 1 2388045  
info-hu@grohe.com

**HK**

+852 2969 7067  
info@grohe.hk

**I**

+39 2 959401  
info-it@grohe.com

**IND**

+91 124 4933000  
customercare.in@grohe.com

**IS**

+354 515 4000  
jonst@byko.is

**J**

+81 3 32989730  
info@grohe.co.jp

**KZ**

+7 727 311 07 39  
info-cac@grohe.com

**LT**

+372 6616354  
grohe@grohe.ee

**LV**

+372 6616354  
grohe@grohe.ee

**MAL**

+1 800 80 6570  
info-singapore@grohe.com

**N**

+47 22 072070  
grohe@grohe.no

**NL**

+31 79 3680133  
vragen-nl@grohe.com

**NZ**

+09 573 0490  
sales@robertson.co.nz

**P**

+351 234 529620  
commercial-pt@grohe.com

**PL**

+48 22 5432640  
biuro@grohe.com.pl

**RI**

+62 21 2358 4751  
info-singapore@grohe.com

**RO**

+40 21 2125050  
info-ro@grohe.com

**ROK**

+82 2 559 0790  
info-singapore@grohe.com

**RP**

+63 2 8041617

**RUS**

+7 495 9819510  
info@grohe.ru

**S**

+46 771 141314  
grohe@grohe.se

**SGP**

+65 6 7385585  
info-singapore@grohe.com

**SK**

+420 277 004 190  
grohe-cz@grohe.com

**T**

+66 2610 3685  
info-singapore@grohe.com

**TR**

+90 216 441 23 70  
GroheTurkey@grome.com

**UA**

+38 44 5375273  
info-ua@grohe.com

**USA**

+1 800 4447643  
us-customerservice@grohe.com

**VN**

+84 8 5413 6840  
info-singapore@grohe.com

**AL** **BIH** **HR** **KS**

**ME** **MK** **SLO** **SRB**

+385 1 2911470  
adria-hr@grohe.com

**Eastern Mediterranean,  
Middle East - Africa  
Area Sales Office:**

+357 22 465200  
info@grome.com

**IR** **OM** **UAE** **YEM**

+971 4 3318070  
grohedubai@grome.com

**Far East Area Sales Office:**

+65 6311 3600  
info@grohe.com.sg