



Raffaello Matte Black Shower T-Rail Kit

Model RBA4604-068



*Potential Installation for RH Shown

Materials & Features

Set consists of matte black shower handset, 2.0M hose, wall connection (includes backflow prevention), complete with slider and T-rail. Grab rail is accessible compliant when installed in accordance with AS1428.1-2009 (Amdt. 2010) and local building codes. Rails are ambidextrous and vertical rail can be positioned left, right or centre.

Technical Detail

Rail:	32mm [Dia], 304 Stainless Steel Matte Black Anti-Bacterial
Hose:	2.0M, Matte Black
Handset:	6 LPM, Matte Black, 4 Star WELS
Slider:	32mm, Matte Black
Inlet Connection:	DN 15mm (1/2") BSP Includes backflow prevention
Water Pressure:	150-500 kpa
Water Temperature:	50°C Maximum

Available Models

RBA4604-068

Raffaello Matte Black Shower T-Rail Incl, 4 Star WELS Matte Black Handset & Slider

Related Products

RBA4605-068

Raffaello Matte Black Shower T-Rail Incl, 4 Star WELS Matte Black Handset, Slider & Mixer

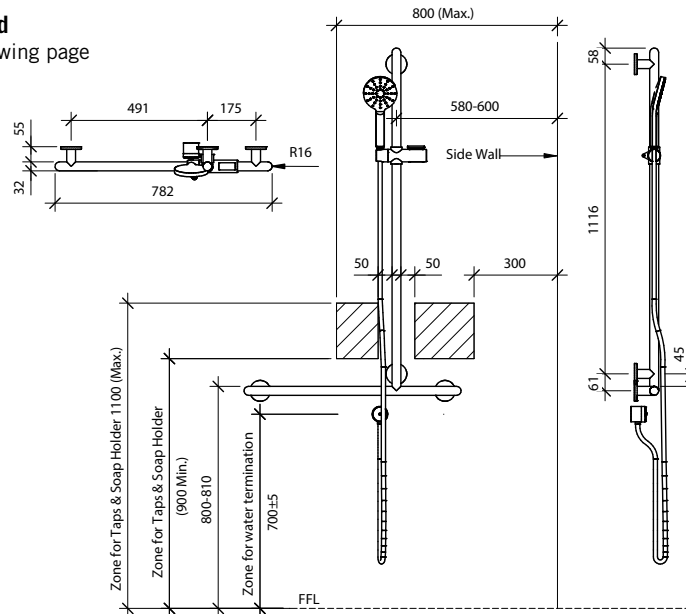
Installation

Warning: Grab rails are no stronger than the anchors or walls to which they are attached and must be firmly secured in order to support the loads for which they are intended. Refer local codes and Installation Instructions for location of fixing points, method of attachment, etc.

Important: Installation instructions and current rough-in details should be furnished with each fixture. Do not rough-in without certified dimensions. Dimensions are subject to manufacturer's tolerance of +/-10mm.

Potential Installation - Right Hand

For Left Hand installation see following page



* All dimensions in mm



As improvements in the design and performance of RBA products are continuous, specifications may be subject to change without notice. Page 1/2
The illustrations and descriptions herein are applicable to production as of the date of this Technical Data Sheet. Revised 05/20 © 2020 by RBA Group TD/Model RBA4604-068/0520

SYDNEY | MELBOURNE | BRISBANE | PERTH | AUCKLAND

Australia 1300 788 778 www.rba.com.au | New Zealand 0800 722 111 www.rbagroup.co.nz

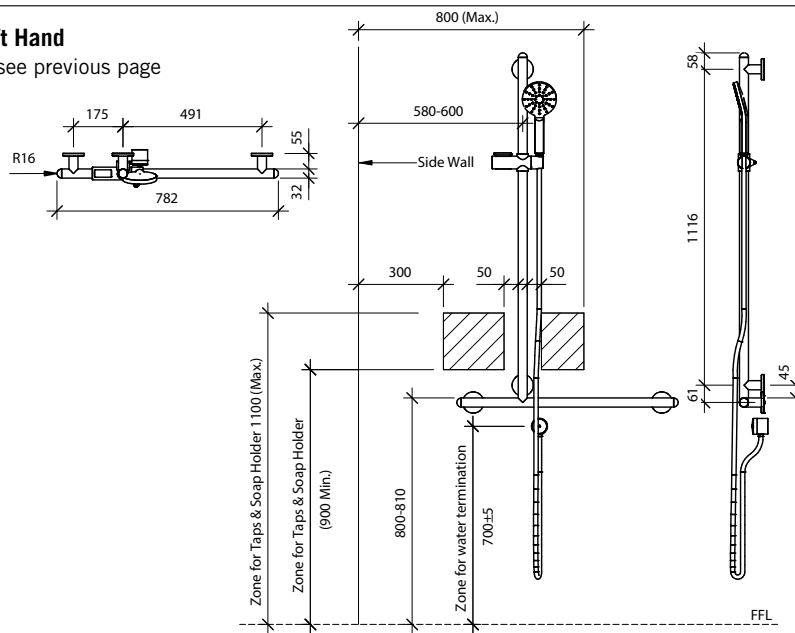


*Potential Installation for LH Shown

Important: Installation instructions and current rough-in details should be furnished with each fixture. Do not rough in without certified dimensions. Dimensions are subject to manufacturer's tolerance of +/-10mm.

Potential Installation - Left Hand

For Right Hand installation see previous page



* All dimensions in mm



As improvements in the design and performance of RBA products are continuous, specifications may be subject to change without notice. Page 2/2
The illustrations and descriptions herein are applicable to production as of the date of this Technical Data Sheet. Revised 05/20 © 2020 by RBA Group TD/Model RBA4604-068/0520