

# BIS Hanger Bolt

fixing to wall or ceiling

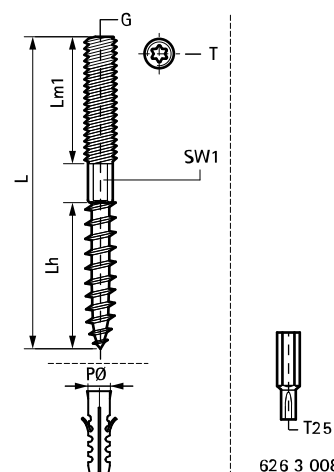
(K 40 05)



## Features and Benefits

- with hexagon for fine setting
- zinc plated
- material: steel

Part No.	G	L	Lh (mm)	Lm1 (mm)	PØ (mm)	SW1 (mm)	Tx	Pack 1	Pack 2
6263606	M6	60 mm	35	25	8	-	-	100	1,000
6263609	M6	90 mm	30	30	8	5	-	100	1,000
6263612	M6	120 mm	30	30	8	5	-	100	1,000
6263615	M6	150 mm	30	45	8	5	-	100	1,000
6263805	M8	50 mm	35	15	10	6	25	100	1,000
6263806	M8	60 mm	30	20	10	6	25	100	1,000
6263807	M8	70 mm						100	1,400
6263808	M8	80 mm	35	35	10	6	25	100	1,000
6263809	M8	90 mm						100	1,000
6263810	M8	100 mm	50	40	10	6	25	100	1,000
6263812	M8	120 mm	50	40	10	6	25	100	500
6263813	M8	130 mm						50	600
6263815	M8	150 mm	50	50	10	6	25	50	500
6263816	M8	160 mm	60	40	10	6	25	50	250
6263818	M8	180 mm	60	40	10	6	25	50	250
6263820	M8	200 mm	50	50	10	6	25	50	250
6283006	M10	60 mm	35	15	12	8	25	50	500
6283008	M10	80 mm	35	35	12	8	25	50	500
6283010	M10	100 mm	50	40	12	8	25	50	500
6283011	M10	110 mm	50	40	12	8	25	50	500
6283012	M10	120 mm	50	40	12	8	25	50	500
6283014	M10	140 mm	50	40	12	8	25	50	250
6283018	M10	180 mm	55	60	12	8	25	50	250
6283020	M10	200 mm	55	40	12	8	25	50	250
6283210	M12	100 mm	50	30	12	10	30	50	-
6283212	M12	120 mm	60	45	12	10	30	50	250
6283214	M12	140 mm	60	60	12	10	30	50	-



Complementary  
BIS Star Plug