



PACKAGED REFRIGERATION CONDENSING UNITS



1.7kW — 64.2kW

ACTROLTM

Nomenclature

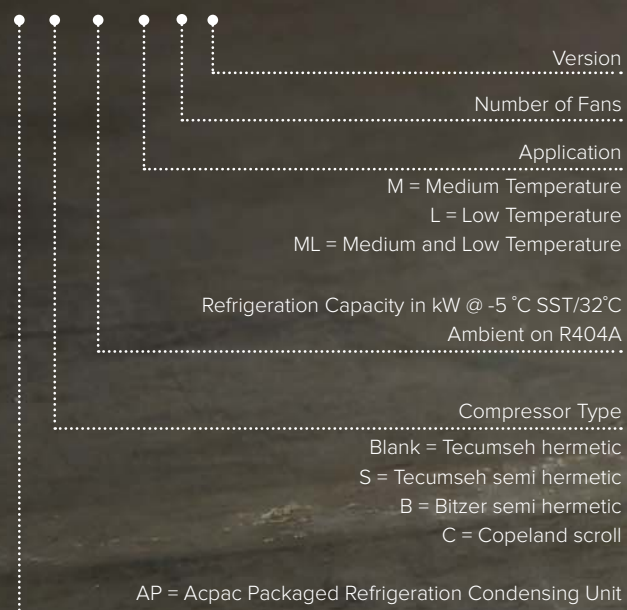
UNDERSTANDING THE ACPAC MODELS

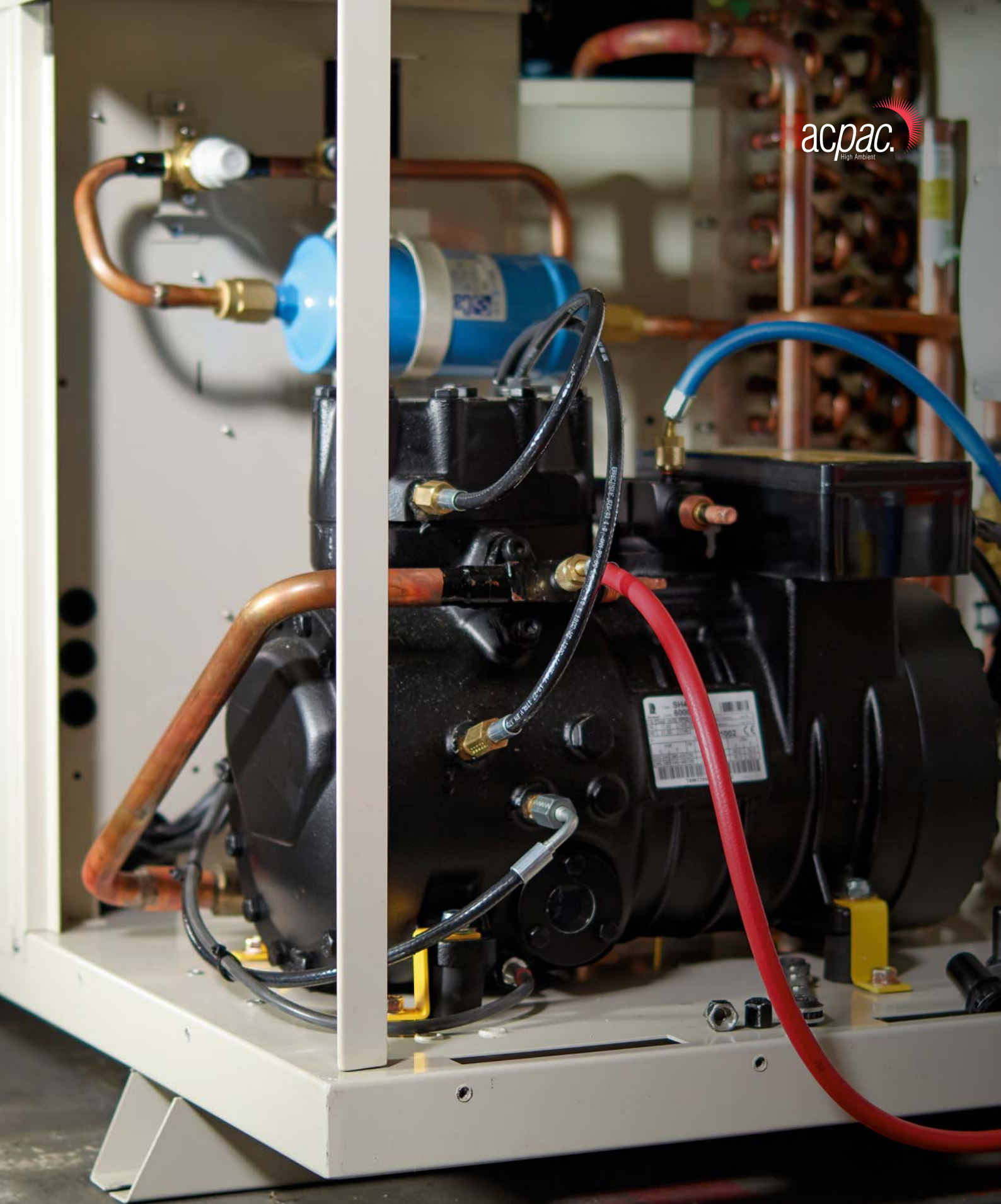
The Acpac part numbers are based around a nomenclature system, which means there is thought behind the names, which makes it easier to decipher the model and its attributes.

Please see an example below of an Acpac model number broken down.

Acpac Packaged Refrigeration Condensing Units

AP S 39.5 ML 2 -1





Packaged Condensing Units



ACPAC PACKAGED CONDENSING UNITS OFFER A COMPLETE REFRIGERATION SOLUTION

The Acpac range is designed in Australia to provide a robust energy efficient, fully fitted packaged range with world leading hermetically sealed reciprocating, scroll and semi hermetic reciprocating compressors.

Acpac uses premium compressors and large condensers in combination to ensure reliable refrigeration when you need it most. This is the Acpac packaged advantage.

Applications are diverse and include commercial food, beverage cooling, and freezing in supermarkets, as well as refrigeration applications in convenience stores, pubs and clubs, restaurants, cafés, food processors and many more.

Installation is quick and easy as every Acpac is fully optioned straight out of the box.

All Acpac units include condenser fan controls and epoxy coated condenser fins to ensure superb energy efficient performance in Australia's diverse weather conditions.

Acpac packaged condensing units are a perfect solution for your customers' refrigeration requirements.

STANDARD FEATURES

- World leading compressors
- Large epoxy finned condenser/s
- Oil Separator on every model
- Suction Accumulator on most models
- Liquid Receiver
- Comprehensive electrical board fully wired to all electrical components
- Safety controls offering substantial protection
- Condenser fan control provides stable operation in Australia's diverse weather conditions
- Copper tails for easy connections
- Galvanized powder coated enclosures not only protect the unit but provide a good looking professional finish every time
- Easy to read wiring diagram is permanently attached to inside panel for quick service
- Separate compressor and fan compartments for safe and easy maintenance
- Easy access to all serviceable components

Hermetic Reciprocating



THE TECUMSEH HERMETIC COMPRESSOR

The L'Unite Hermetique compressor range from Tecumseh Europe has built an awesome reputation in the refrigeration industry due to its proven reliability and performance.

The conservative design within this hermetic reciprocating range offers the end user a cost effective refrigeration solution with the benefits of energy efficiency, low noise and reliability.

The Tecumseh compressors are matched with large condensers to provide an Acpac range with refrigeration capacities from 1.1 to 13.1kW using R404A refrigerant. The range is also suitable for R134a in many applications, please refer to an Actrol Applications Engineer for specific advice.

The Acpac reciprocating hermetic range is commonly used for refrigerated cabinets, reach-in and walk-in coolrooms and freezers for every product imaginable including butcher shops, fish shops, fruit and vegetable stores, fast food chains, food processors and many more.

ADDITIONAL FEATURES

- Tecumseh hermetic reciprocating compressors
- Compressor thermal overload protection on all three phase models
- Suction accumulator on all low temperature models
- Sump heater on all models
- Condenser fan HP cycling maintains the condensing temperature in all ambient conditions

Semi Hermetic Reciprocating



The SH semi hermetic compressor from Tecumseh has a proven reputation for performance and reliability in refrigeration. Manufactured in Italy the SH compressors are both quiet and energy efficient.

The APS Acpac range has been designed to operate efficiently in both the hot and cold extremes of the Australian environment with large condensers and fan speed control across all models.

The Acpac APS range available in capacities from 1.8 to 64.2kW is suitable for both R134a and R404A refrigerant and can be applied in both medium and low temperature applications.

The APS Acpac with the Tecumseh semi hermetic compressor is suited to an enormous range of refrigeration applications including reach-in and walk-in coolrooms and freezers for food, beverages and other stored products. Typical applications are supermarkets, fast food outlets, pubs and clubs, restaurants and liquor stores.

ADDITIONAL FEATURES

- Tecumseh SH semi hermetic reciprocating compressor
- Kriwan INT69, INT69 Diagnose or INT TML Diagnose protection module fitted depending on compressor model
- Part Winding Start (PWS) on larger models
- Electronic overload/s protect against phase loss, phase imbalance, phase reversal, locked rotor and over current which offers superior compressor protection
- Cable numbering to make maintenance even easier
- Oil separator isolation valve
- Flexible control lines
- Suction demountable drier shell with filter core fitted
- Removable compressor transport mounts to protect pipework during transit
- EC condenser fans on some larger models

Semi Hermetic Reciprocating with Variable Speed Drive



The variable speed drive (VSD) models of the APS semi hermetic Acpac range include a fully programmed VSD to adjust the compressor speed to maintain the desired evaporating pressure.

In extreme ambient temperatures the VSD models will take action to ensure the compressor pressures are maintained within the design operating envelope, this is called HLPS.

The APS VSD models are quick and easy to install and commission and are suitable for either R134a or R404A refrigerant.

Acpac APS VSD is well suited for refrigerated reach-in and walk-in coolrooms and freezers for every product imaginable including butcher shops, fish shops, fruit and vegetable stores, fast food chains, food processors and many more.

ADDITIONAL FEATURES

- Variable Speed Drive (VSD) is specifically tailored for the HVAC-R Industry
- Controls the refrigeration system to match the system load at all times, resulting in energy and cost savings
- Removable keypad that displays up to nine parameters on a single screen
- Pre-programmed to enable fast commissioning and trouble free operation
- High Limit Pressure Safety feature. The HLPS feature will keep the compressor inside its operating envelope and allow the compressor to provide the maximum amount of cooling capacity at high ambient conditions
- The VSD monitors and maintains the compressor within its maximum operating current
- Oil management speed up feature will ensure oil return is always maintained
- The EC fans on the larger APS units are controlled via a 0-10V output from the Vacon VSD



Semi Hermetic Reciprocating



The Octagon semi hermetic compressor from Bitzer has gained a wonderful name throughout the refrigeration industry and provides a great platform for the semi hermetic Acpac.

The recently designed Octagon compressor range offers the end user a very reliable, quiet and energy efficient refrigeration condensing unit. This range is especially well suited in situations requiring longer pipe runs between the Acpac and the evaporator/s.

The Acpac semi hermetic range is available in refrigeration capacities from 2.0 to 36.7 kW and is designed for both R134a and R404A refrigerant.

Acpac semi hermetic is perfect for cooling and freezing applications in pubs and clubs, convenience stores, supermarkets and food processors.

ADDITIONAL FEATURES

- Bitzer Octagon semi hermetic reciprocating compressor
- Bitzer oil monitoring system on C4 compressor models
- Bitzer SE-B motor protection on all compressor models
- Electronic overload protects against phase loss, phase imbalance, phase reversal, locked rotor and over current which offers superior compressor protection
- Suction accumulator on all models
- Anti short cycle timer
- Fan speed control ensures stable operation
- Suction demountable drier shell on all models

Scroll



Copeland compliant scroll compressors were chosen for the Acpac scroll series as they are specifically designed for refrigeration duty.

The compliant scroll design is inherently quiet, efficient and operates with minimal vibration. This range has been matched with very large condensers/s to further improve the COP (coefficient of performance) resulting on lower running costs.

Copeland compliant scroll Acpac ranges from 2.8 to 34.9 kW refrigeration capacity and can be used with R134a or R404A refrigerant.

Acpac scroll is designed to be used in a myriad of cooling applications including reach-in and walk-in coolrooms for all unprocessed and processed foods and beverages. Supermarkets, fast food chains, liquor stores, groceries and pubs and clubs are a small sample of typical applications for Acpac scroll.

ADDITIONAL FEATURES

- Copeland ZB scroll compressors
- Electronic overload protects against phase loss, imbalance, phase reversal, locked rotor and over current which offers excellent compressor protection
- Suction accumulator on all models
- Anti short cycle timer
- Condenser fan speed control for stable operation

Technical Data

HERMETIC RECIPROCATING - TECUMSEH

Product Code	Model	Compressor			Fan(s)			Liquid Receiver Capacity kg @ 80%	Line Size inches		Nett Weight kg	Sound Power Level dBA ▲
		Model	MOC Amps	Volts / Phase	No. Diam. mm	MOC Amps	Volts / Phase		Suction	Liquid		

MEDIUM TEMPERATURE

2709753	AP1.7M1-4	CAJ9480Z	6.8	240/1	1 x 350	1 x 0.65	240 V Single Phase	3.9	½	¾	68	62
2709754	AP2.1M1-4	CAJ9510Z	8.4	240/1	1 x 350	1 x 0.65		3.9	5/8	¾	70	63
2709755	AP2.5M1-4	CAJ9513Z	11.3	240/1	1 x 350	1 x 0.65		3.9	5/8	¾	70	64
2709756	AP2.8M1-4	CAJ4517Z	12.7	240/1	1 x 350	1 x 0.65		3.9	5/8	¾	71	65
2709757	AP3.9M1-4	CAJ4519Z	15.2	240/1	1 x 350	1 x 0.65		3.9	5/8	¾	71	68
2709758	AP4.1M1-4	FH4524Z	18.1	240/1	1 x 350	1 x 0.65		3.9	5/8	¾	81	70
2709759	AP5.7M2-4	TFH4531Z	9	415/3	2 x 350	2 x 0.65		10.0	5/8	¾	105	69
2709760	AP7.8M2-4	TFH4540Z	9.2	415/3	2 x 350	2 x 0.65		10.0	5/8	¾	118	75
2709761	AP8.8M2-4	TAG4553Z	14	415/3	2 x 350	2 x 0.65		10.0	7/8	½	146	78
2709762	AP10.7M2-4	TAG4561Z	15.3	415/3	2 x 350	2 x 0.65		10.0	7/8	½	148	78
2709763	AP13.1M2-4	TAG4573Z	19	415/3	2 x 350	2 x 0.65		10.0	7/8	½	150	77

LOW TEMPERATURE

2709770	AP1.9L1-4	CAJ2464Z	10.0	240/1	1 x 350	1 x 0.65	240V Single Phase	3.9	5/8	¾	73	67
2709771	AP2.9L1-4	FH2480Z	16.0	240/1	1 x 350	1 x 0.65		3.9	5/8	¾	90	69
2709772	AP3.3L2-4	TFH2511Z	7.2	415/3	2 x 350	2 x 0.65		10.0	5/8	¾	130	72
2709773	AP4.8L2-4	TAG2516Z	9.5	415/3	2 x 350	2 x 0.65		10.0	7/8	½	155	71
2709774	AP6.2L2-4	TAG2522Z	13.4	415/3	2 x 350	2 x 0.65		10.0	7/8	½	175	76

▲ Subtract 17dBA to convert to sound pressure at 3m distance

Technical Data

SEMI HERMETIC RECIPROCATING - TECUMSEH

Product Code	Model	Compressor			Fan(s)			Liquid Receiver Capacity kg @ 80%	Line Size inches		Nett Weight kg	Sound Power Level dBA ▲
		Model	MOC Amps	Volts / Phase	No. Diam. mm	MOC Amps	Volts / Phase		Suction	Liquid		

MEDIUM / LOW TEMPERATURE

2701982	APS4.6ML2-1	SH4526ZYZ	4.5	DOL	2 x 350	2 x 0.65	240 V Single Phase	10.0	7/8	1/2	161	65
2701983	APS6.0ML2-1	SH4536ZYZ	6.7	DOL	2 x 350	2 x 0.65		10.0	7/8	1/2	168	67
2701984	APS8.3ML2-1	SH4550ZYZ	8.8	DOL	2 x 350	2 x 0.65		10.0	7/8	1/2	180	67
2701985	APS11.7ML3-1	SH4567ZYZ	12.5	DOL	3 x 350	3 x 0.65		10.0	1 1/8	1/2	195	70
2701986	APS14.4ML3-1	SH4591ZYZ	12.7	DOL	3 x 350	3 x 0.65		10.0	1 1/8	1/2	240	70
2701987	APS19.0ML2-1	SH4610ZYZ	17.6	DOL	2 x 500	2 x 3.3		12.0	1 3/8	5/8	290	72
2701988	APS25.8ML2-1	SH4615ZMZ	22.4	PWS	2 x 500	2 x 3.3		12.0	1 3/8	5/8	340	75
2701989	APS33.6ML2-1	SH4620ZMZ	32.4	PWS	2 x 500	2 x 3.3		12.0	1 3/8	5/8	386	77
2702251	APS39.5ML2-1	SH4623ZMZ	35.3	PWS	2 x 710	2 x 1.5		415 V Three Phase	25.0	1 5/8	1 1/8	605
2702252	APS46.5ML2-1	SH4627ZMZ	43.5	PWS	2 x 710	2 x 1.5	25.0		2 1/8	1 1/8	615	78
2702253	APS56.4ML2-1	SH4632ZMZ	49.2	PWS	2 x 710	2 x 1.5	25.0		2 1/8	1 1/8	650	81
2702254	APS64.2ML2-1	SH4639ZMZ	61.0	PWS	2 x 710	2 x 1.5	25.0		2 1/8	1 1/8	670	82

SEMI HERMETIC RECIPROCATING WITH VSD - TECUMSEH

3508002	APS6.0ML2-1VSD	SH4536ZYZ	6.7	DOL	2 X 350	2 X 0.65	240V Single Phase	10.0	7/8	1/2	175	67
3508004	APS11.7ML3-1VSD	SH4567ZYZ	12.5	DOL	3 X 350	3 X 0.65		10.0	1 1/8	1/2	205	70
3508007	APS25.8ML2-1VSD	SH4615ZMZ	22.4	DOL	2 X 500	2 X 3.3		12.0	1 3/8	5/8	348	75
3508011	APS56.4ML2-1VSD	SH4632ZMZ	49.2	DOL	2 X 710	2 X 1.5	415V Three Phase	25.0	2 1/8	1 1/8	660	81

▲ Subtract 17dBA to convert to sound pressure at 3m distance

Technical Data

SEMI HERMETIC RECIPROCATING - BITZER

Product Code	Model	Compressor			Fan(s)			Liquid Receiver Capacity kg @ 80%	Line Size inches		Nett Weight kg	Sound Power Level dBA ▲
		Model	MOC Amps	Volts / Phase	No. Diam. mm	MOC Amps	Volts / Phase		Suction	Liquid		

MEDIUM / LOW TEMPERATURE

2709801	APB4.9ML2-4	2GES-2Y	4.5	415/3	2 x 350	2 x 0.65	240 V Single Phase	10.0	5/8	3/8	170	68
2709802	APB6.0ML2-4	2FES-3Y	8.9	415/3	2 x 350	2 x 0.65		10.0	5/8	3/8	175	68
2709803	APB8.5ML2-4	2DES-3Y	7.6	415/3	2 x 350	2 x 0.65		10.0	7/8	1/2	200	69
2709804	APB11.5ML3-4	4FES-5Y	10.3	415/3	3 x 350	3 x 0.65		10.0	7/8	1/2	230	71
2709805	APB15.8ML3-4	4DES-7Y	15.1	415/3	3 x 350	3 x 0.65		10.0	7/8	1/2	250	72
2709806	APB20.8ML2-4	4CES-9Y	18.0	415/3	2 x 500	2 x 3.30		12.0	1 1/8	5/8	290	79
2709807	APB25.8ML2-4	4TES-12Y	21.5	415/3	2 x 500	2 x 3.30		12.0	1 3/8	5/8	350	79
2709808	APB29.6ML2-4	4PES-15Y	24.7	415/3	2 x 500	2 x 3.30		12.0	1 3/8	5/8	360	79
2709809	APB36.7ML2-4	4NES-20Y	29.0	415/3	2 x 500	2 x 3.30		12.0	1 3/8	5/8	390	80

▲ Subtract 17dBA to convert to sound pressure at 3m distance



Technical Data

SCROLL - COPELAND

Product Code	Model	Compressor			Fan(s)			Liquid Receiver Capacity kg @ 80%	Line Size inches		Nett Weight kg	Sound Power Level dBA ▲
		Model	MOC Amps	Volts / Phase	No. Diam. mm	MOC Amps	Volts / Phase		Suction	Liquid		

MEDIUM TEMPERATURE

2709777	APC4.6M1-4	ZB15KQE	16	240/1	1 x 350	1 x 0.65	240 V Single Phase	3.9	5/8	3/8	70	66
2709778	APC5.7M2-4	ZB19KQE	6	415/3	2 x 350	2 x 0.65		10.0	7/8	3/8	131	68
2709779	APC7.9M2-4	ZB26KQE	10	415/3	2 x 350	2 x 0.65		10.0	7/8	3/8	133	69
2709780	APC11.5M3-4	ZB38KQE	12.5	415/3	3 x 350	3 x 0.65		10.0	7/8	1/2	163	70
2709782	APC14.4M3-4	ZB48KQE	17	415/3	3 x 350	3 x 0.65		10.0	7/8	1/2	167	73
2709783	APC18.3M2-4	ZB58KQE	23	415/3	2 x 500	2 x 3.3		12.0	1 3/8	5/8	241	77
2709784	APC20.3M2-4	ZB66KQE	24.2	415/3	2 x 500	2 x 3.3		12.0	1 3/8	5/8	242	77
2709785	APC24.7M2-4	ZB76KQE	26.9	415/3	2 x 500	2 x 3.3		12.0	1 3/8	5/8	245	78
2709786	APC29.7M2-4	ZB95KQE	27.8	415/3	2 x 500	2 x 3.3		12.0	1 3/8	5/8	305	82
2709787	APC34.9M2-4	ZB114KQE	31.4	415/3	2 x 500	2 x 3.3		12.0	1 3/8	5/8	314	83

▲ Subtract 17dBA to convert to sound pressure at 3m distance



Capacity Data

HERMETIC RECIPROCATING - TECUMSEH

R404A Medium Temperature Applications

Model	Ambient Temp. °C	Saturated Suction Temperature: °C						
		-15	-10	-5	0	5	10	15
AP1.7M1-4	32	1229	1521	1785	2118	2452	2796	3141
	35	1162	1417	1696	1995	2309	2666	2997
	38	1087	1329	1591	1893	2194	2502	2808
	43	973	1195	1436	1712	1985	2264	2539
AP2.1M1-4	32	1482	1796	2156	2517	2882	3235	3633
	35	1406	1706	2031	2370	2747	3087	3402
	38	1318	1617	1927	2250	2573	2885	3241
	43	1183	1441	1739	2032	2322	2601	2924
AP2.5M1-4	32	1680	2107	2536	2978	3500	3960	4392
	35	1589	1970	2412	2843	3278	3792	4217
	38	1476	1865	2254	2655	3125	3537	3920
	43	1319	1675	2032	2398	2823	3196	3540
AP2.8M1-4	32	2019	2428	2870	3383	3843	4272	4797
	35	1896	2280	2735	3168	3591	4092	4457
	38	1796	2161	2555	3015	3422	3797	4271
	43	1613	1942	2297	2719	3084	3417	3697
AP3.9M1-4	32	2527	3103	3761	4444	5168	5926	6831
	35	2392	2944	3541	4180	4923	5646	6390
	38	2236	2759	3355	3963	4603	5371	6086
	43	1994	2473	3017	3565	4139	4734	5485
AP4.1M1-4	32	2767	3506	4266	5077	6038	6936	7840
	35	2598	3269	3987	4827	5639	6470	7515
	38	2394	3075	3763	4489	5361	6163	6964
	43	2085	2720	3351	4010	4688	5544	6274
AP5.7M2-4	32	3957	4836	5741	6782	7669	8479	9458
	35	3647	4483	5454	6324	7298	8122	8796
	38	3412	4222	5051	6012	6777	7534	8424
	43	2969	3725	4652	5393	6091	6778	
AP7.8M2-4	32	5766	6720	7796	8946	10305	11484	12573
	35	5324	6244	7401	8516	9650	10746	12042
	38	4982	5876	6876	7933	9184	10243	11204
	43	4240	5189	6127	7110	8087	9243	10103
AP8.8M2-4	32	5873	7243	8786	10634	12284	14228	15622
	35	5420	6719	8349	9915	11762	13241	14478
	38	5073	6328	7736	9432	10916	12691	13907
	43	4313	5585	6886	8467	9823	11029	
AP10.7M2-4	32	7260	8852	10575	12696	14663	16539	18783
	35	6823	8220	10046	11860	13692	15858	17466
	38	6387	7740	9322	11276	13053	14723	16758
	43	5437	6835	8306	9876	11762	13272	
AP13.1M2-4	32	9210	10757	12848	14784	17189	19017	20502
	35	8455	10194	11923	14131	15978	17623	19790
	38	7930	9367	11314	13075	14767	16902	
	43	6897	8246	9765	11712	13252		

▲ Capacities based on 18 °C return vapour and 3 K sub cooling

Capacity Data

HERMETIC RECIPROCATING - TECUMSEH

R404A Low Temperature Application

Model	Ambient Temp. °C	Saturated Suction Temperature: °C						
		-40	-35	-30	-23.3	-20	-15	-10
AP1.9L1-4	32	912	1200	1531	1963	2078	2252	2675
	35	851	1125	1448	1861	1972	2139	2545
	38	795	1057	1355	1757	1855	2003	2381
	43	692	939	1213	1567	1660	1802	2146
AP2.9L1-4	32	857	1271	1741	2467	2852	3518	4209
	35	755	1158	1613	2327	2697	3307	4007
	38	593	1056	1496	2174	2543	3128	3754
	43		875	1289	1911	2236	2804	3378
AP3.3L2-4	32	1730	2032	2503	3390	3910	4743	5617
	35	1556	1892	2346	3178	3642	4497	5338
	38	1413	1708	2146	2986	3431	4177	4952
	43	1148	1437	1853	2606	3046	3728	4432
AP4.8L2-4	32	2100	2634	3406	4792	5590	6865	8212
	35	1900	2418	3194	4494	5211	6404	7792
	38	1726	2224	2929	4184	4907	6050	7241
	43	1403	1875	2532	3689	4355	5399	6482
AP6.2L2-4	32	2970	3567	4455	6088	7037	8563	10179
	35	2678	3267	4177	5710	6562	7992	9667
	38	2430	3004	3828	5316	6180	7549	8987
	43	1973	2529	3307	4687	5485	6739	8046

▲ Capacities based on 18 °C return vapour and 3 K sub cooling



Capacity Data

SEMI HERMETIC RECIPROCATING - TECUMSEH

R404A Medium / Low Temperature Application

Model	Ambient Temp. °C	Saturated Suction Temperature: °C									
		-40	-35	-30	-25	-20	-15	-10	-5	0	5
APS4.6ML2-1	32	708	998	1361	1803	2358	3000	3746	4598	5566	6711
	35	656	928	1270	1690	2202	2802	3512	4349	5286	6333
	38	602	856	1178	1576	2059	2629	3302	4073	4962	6017
	43	513	739	1018	1383	1818	2332	2941	3653	4467	5457
APS6.0ML2-1	32	1049	1436	1935	2518	3204	4006	4921	6004	7168	8452
	35	974	1349	1809	2356	3006	3785	4657	5644	6748	8058
	38	899	1263	1692	2209	2825	3539	4357	5339	6399	7572
	43		1116	1500	1967	2522	3169	3904	4803	5778	6869
APS8.3ML2-1	32			2610	3455	4424	5530	6787	8266	9841	11561
	35			2418	3221	4165	5220	6421	7756	9235	11013
	38			2245	3014	3889	4878	6054	7338	8757	10311
	43			1960	2665	3460	4361	5374	6596	7887	9318
APS11.7ML2-1	32			4349	5502	6797	8252	9863	11702	13627	15680
	35			4139	5232	6481	7868	9399	11066	12996	14957
	38			3942	4983	6145	7448	8936	10519	12228	14051
	43			3625	4573	5623	6795	8125	9550	11079	12717
APS14.4ML2-1	32			4840	6268	7925	9901	12041	14388	17218	20003
	35	2597	3621	4492	5885	7462	9247	11243	13647	16078	18671
	38	2364	3339	4178	5459	6928	8698	10598	12687	15250	17755
	43	2139	3078	3637	4798	6120	7718	9427	11304		
APS19.0ML2-1	32			6618	8502	10674	13148	15923	19004	22559	26279
	35			6246	8052	10110	12510	15158	18099	21329	24827
	38			5893	7621	9585	11808	14306	17067	20278	23625
	43			5289	6876	8677	10699	12959	15467	18396	21447
APS25.8ML2-1	32			8859	11449	14415	17748	21667	25792	30248	35516
	35			8265	10711	13631	16829	20383	24274	28870	33464
	38			7731	10067	12743	15761	19318	23059	27106	31939
	43			6819	8948	11388	14144	17418	20849	24570	28539
APS33.6ML2-1	32	6612	9486	12548	15915	19642	23773	28523	33604	39133	45642
	35	5983	8802	11810	15136	18726	22687	27047	32113	37399	43092
	38	5350	8159	11112	14272	17706	21605	25764	30319	35251	41135
	43			9899	12894	16090	19545	23489	27616	32083	37202
APS39.5ML2-1	32	7003	9823	13236	17186	21774	27019	32936	39541	47215	55264
	35	6421	9145	12366	16130	20484	25610	31270	37591	44569	52174
	38	5815	8470	11551	15146	19297	24032	29380	35656	42338	49632
	43	4863	7328	10171	13461	17250	21565	26433	31876	38324	45019
APS46.5ML2-1	32	7886	11059	14959	19523	24866	31036	38062	46465	55390	65161
	35	7188	10234	13879	18191	23408	29316	36058	43639	52782	62291
	38	6456	9414	12892	16997	21800	27354	34059	41356	49506	58505
	43			11223	14957	19326	24381	30169	37250	44794	53198
APS56.4ML2-1	32	9907	13711	18403	23910	30360	37806	46284	56364	67137	78991
	35	9120	12762	17143	22344	28434	35767	43909	53088	63309	75555
	38	8304	11820	15991	20943	26745	33469	41143	50365	60246	71193
	43	7071	9743	14068	18562	23835	29964	36991	45562	54679	64928
APS64.2ML2-1	32	12832	18006	23743	30185	37380	45351	54524	64190	74569	86701
	35	11622	16668	22249	28591	35509	43163	51536	61182	71192	81817
	38	10405	15397	20850	26851	33451	40984	49030	57750	67082	78068
	43		12054	18479	24175	30360	37054	44752	52779	61354	

■ Requires additional fan compressor cooling

▲ Capacities based on 20 °C return vapour and 0 K sub cooling

Capacity Data

SEMI HERMETIC RECIPROCATING - TECUMSEH

R134a Medium / Low Temperature Application

Model	Ambient Temp. °C	Saturated Suction Temperature: °C									
		-30	-25	-20	-15	-10	-5	0	5	10	12.5
APS4.6ML2-1	32	701	988	1331	1743	2221	2788	3435	4178	5016	5253
	35	649	929	1267	1662	2125	2674	3303	4016	4846	5218
	38	595	869	1201	1582	2035	2568	3177	3876	4666	4822
	43	515	780	1093	1464	1888	2393	2968	3629	4378	4524
APS6.0ML2-1	32	1098	1488	1980	2566	3262	4065	4981	6001	7174	7680
	35	1028	1411	1882	2446	3118	3901	4789	5779	6886	7052
	38	956	1336	1786	2335	2982	3727	4579	5557	6624	7008
	43		1200	1631	2148	2754	3454	4251	5147	6173	6558
APS8.3ML2-1	32			2599	3350	4265	5348	6604	8031	9682	10292
	35			2461	3188	4067	5123	6339	7724	9274	9416
	38			2330	3033	3878	4883	6045	7417	8919	9370
	43			2109	2766	3558	4503	5591	6877	8296	8758
APS11.7ML2-1	32	2055	2861	3830	4950	6267	7790	9529	11514	13784	14584
	35	1885	2685	3620	4716	5991	7490	9179	11100	13238	13408
	38	1705	2509	3424	4493	5734	7160	8795	10689	12762	13360
	43	1406	2200	3094	4112	5289	6638	8174	9963	11924	12540
APS14.4ML2-1	32			3803	5009	6477	8203	10206	12533	15077	15747
	35			3575	4745	6159	7859	9803	11999	14453	15715
	38			3364	4499	5866	7481	9353	11531	13917	14359
	43			3009	4078	5362	6886	8642	10708	12962	13427
APS19.0ML2-1	32			5407	7018	8992	11304	14003	17099	20605	21116
	35			5156	6718	8614	10848	13451	16480	19878	20968
	38			4907	6419	8250	10408	12921	15808	19080	20847
	43			4477	5912	7629	9658	12024	14732	17812	19570
APS25.8ML2-1	32	4539	6199	8267	10702	13561	16858	20600	24918	29592	30819
	35	4213	5826	7799	10156	12919	16178	19821	23910	28434	30758
	38	3871	5456	7367	9655	12337	15428	18951	23024	27434	28274
	43	3349	4841	6644	8804	11337	14266	17596	21472	25669	26583
APS33.6ML2-1	32	6160	8282	10810	13770	17226	21241	25840	31166	37043	40222
	35	5744	7847	10312	13188	16584	20480	24937	29984	35645	38897
	38	5306	7414	9836	12638	15900	19658	23953	28922	34407	37367
	43	4608	6677	9020	11701	14791	18340	22377	27070	32228	35013
APS39.5ML2-1	32	7152	9743	12815	16495	20785	25788	31553	38126	45546	49754
	35	6622	9191	12212	15769	19939	24780	30440	36814	44009	47918
	38	6070	8615	11608	15078	19135	23829	29228	35380	42477	46270
	43	5173	7679	10577	13903	17757	22199	27292	33096	39803	43382
APS46.5ML2-1	32	7076	9461	12313	18378	23553	29511	36263	43792	52447	56945
	35	6606	8974	11775	17412	22383	28228	34773	42074	50143	54455
	38	6120	8470	11237	16535	21336	26854	33123	40362	48193	52387
	43	5336	7657	10328	15074	19566	24740	30607	37416	44776	48728
APS56.4ML2-1	32	8975	12324	16400	21318	27051	33678	41219	49711	59404	64521
	35	8386	11650	15614	20340	25875	32274	39680	47919	57100	62037
	38	7774	10978	14831	19412	24772	30965	38018	45951	55042	59838
	43	6787	9828	13510	17838	22897	28729	35381	42864	51458	55995
APS64.2ML2-1	32	12398	16473	21397	27181	33962	41816	50801	61152	72535	78666
	35	11580	15626	20413	26047	32702	40321	49019	58830	69775	76034
	38	10722	14779	19477	24971	31352	38707	47244	56736	67319	73016
	43	9325	13325	17878	23135	29185	36123	43994	53086	63017	68368

■ Requires additional fan compressor cooling

▲ Capacities based on 20 °C return vapour and 0 K sub cooling

Capacity Data

SEMI HERMETIC RECIPROCATING WITH VSD - TECUMSEH

R404A Medium / Low Temperature Application

Model	Hz	Ambient Temp. °C	Saturated Suction Temperature: °C									
			-40	-35	-30	-25	-20	-15	-10	-5	0	5
APS6.0ML2-1VSD	30	32	629	862	1161	1511	1922	2404	2953	3602	4301	5071
		35	584	809	1085	1414	1804	2271	2794	3386	4049	4835
		38	539	758	1015	1325	1695	2123	2614	3203	3839	4543
		43		670	900	1180	1513	1901	2342	2882	3467	4121
	50	32	1049	1436	1935	2518	3204	4006	4921	6004	7168	8452
		35	974	1349	1809	2356	3006	3785	4657	5644	6748	8058
		38	899	1263	1692	2209	2825	3539	4357	5339	6399	7572
		43		1116	1500	1967	2522	3169	3904	4803	5778	6869
	60	32	1259	1723	2322	3022	3845	4807	5905	7205		
		35	1169	1619	2171	2827	3607	4542	5588			
		38	1079	1516	2030	2651	3390	4247	5228			
		43		1339	1800	2360	3026	3803	4685			
APS11.7ML3-1VSD	30	32			2609	3301	4078	4951	5918	7021	8176	9408
		35			2483	3139	3889	4721	5639	6640	7798	8974
		38			2365	2990	3687	4469	5362	6311	7337	8431
		43			2175	2744	3374	4077	4875	5730	6647	7630
	50	32			4349	5502	6797	8252	9863	11702	13627	15680
		35			4139	5232	6481	7868	9399	11066	12996	14957
		38			3942	4983	6145	7448	8936	10519	12228	14051
		43			3625	4573	5623	6795	8125	9550	11079	12717
	60	32			5219	6602	8156	9902	11836	14042	16352	
		35			4967	6278	7777	9442	11279	13279		
		38			4730	5980	7374	8938	10723	12623		
		43			4350	5488	6748	8154	9750			
APS25.8ML2-1VSD	30	32			5315	6870	8649	10649	13000	15475	18149	21310
		35			4959	6427	8179	10097	12230	14564	17322	20078
		38			4639	6040	7646	9457	11591	13835	16264	19163
		43			4091	5369	6833	8486	10451	12509	14742	17123
	50	32			8859	11449	14415	17748	21667	25792	30248	35516
		35			8265	10711	13631	16829	20383	24274	28870	33464
		38			7731	10067	12743	15761	19318	23059	27106	31939
		43			6819	8948	11388	14144	17418	20849	24570	28539
	60	32			10631	13739	17298	21297	26000	30950	36297	
		35			9918	12853	16357	20195	24460	29129	34644	
		38			9277	12080	15292	18913	23182	27671		
		43			8183	10738	13666	16973	20902	25019		
APS56.4ML2-1VSD	30	32	5944	8227	11042	14346	18216	22684	27770	33818	40282	47395
		35	5472	7657	10286	13406	17060	21460	26345	31853	37985	45333
		38	4982	7092	9595	12566	16047	20081	24686	30219	36148	42716
		43	4243	5846	8441	11137	14301	17978	22195	27337	32807	38956
	50	32	9907	13711	18403	23910	30360	37806	46284	56364	67137	78991
		35	9120	12762	17143	22344	28434	35767	43909	53088	63309	75555
		38	8304	11820	15991	20943	26745	33469	41143	50365	60246	71193
		43		9743	14068	18562	23835	29964	36991	45562	54679	64926
	60	32	11888	16453	22084	28692	36432	45367	55541	67637	80564	
		35	10944	15314	20572	26813	34121	42920	52691	63706	75971	
		38	9965	14184	19189	25132	32094	40163	49372	60438		
		43		11692	16882	22274	28602	35957	44389	54674		

■ Compressor superheat must be less than 20K
 ▲ Capacities based on 20 °C return vapour and 0 K sub cooling

Capacity Data

SEMI HERMETIC RECIPROCATING WITH VSD - TECUMSEH

R134a Medium / Low Temperature Application

Model	Hz	Ambient Temp. °C	Saturated Suction Temperature: °C									
			-30	-25	-20	-15	-10	-5	0	5	10	12.5
APS6.0ML2-1VSD	30	32	659	893	1188	1540	1957	2439	2989	3601	4304	4608
		35	617	847	1129	1468	1871	2341	2873	3467	4132	4231
		38	574	802	1072	1401	1789	2236	2747	3334	3974	4205
		43	720	979	1289	1652	2072	2551	3088	3704	4395	4935
	50	32	1098	1488	1980	2566	3262	4065	4981	6001	7174	7680
		35	1028	1411	1882	2446	3118	3901	4789	5779	6886	7052
		38	956	1336	1786	2335	2982	3727	4579	5557	6624	7008
		43	1200	1631	2148	2754	3454	4251	5147	6173	7304	7658
	60	32	1318	1786	2376	3079	3914	4878	5977	7201	8609	9216
		35	1234	1693	2258	2935	3742	4681	5747	6935	8263	8462
		38	1147	1603	2143	2802	3578	4472	5495	6668	7949	8410
		43	1440	1957	2578	3305	4145	5105	6176	7408	8780	9216
APS11.7ML3-1VSD	30	32	1233	1717	2298	2970	3760	4674	5717	6908	8270	8750
		35	1131	1611	2172	2830	3595	4494	5507	6660	7943	8045
		38	1023	1505	2054	2696	3440	4296	5277	6413	7657	8016
		43	844	1320	1856	2467	3173	3983	4904	5978	7154	7524
	50	32	2055	2861	3830	4950	6267	7790	9529	11514	13784	14584
		35	1885	2685	3620	4716	5991	7490	9179	11100	13238	13408
		38	1705	2509	3424	4493	5734	7160	8795	10689	12762	13360
		43	1406	2200	3094	4112	5289	6638	8174	9963	11924	12540
	60	32	2466	3433	4596	5940	7520	9348	11435	13817	16541	17501
		35	2262	3222	4344	5659	7189	8988	11015	13320	15886	16090
		38	2046	3011	4109	5392	6881	8592	10554	12827	15314	16032
		43	1687	2640	3713	4934	6347	7966	9809	11956	14308	15048
APS25.8ML2-1VSD	30	32	2724	3719	4960	6421	8137	10115	12360	14951	17755	18491
		35	2528	3496	4679	6094	7751	9707	11893	14346	17061	17855
		38	2323	3274	4420	5793	7402	9257	11371	13815	16460	16964
		43	2009	2905	3987	5282	6802	8559	10557	12883	15402	15950
	50	32	4539	6199	8267	10702	13561	16858	20600	24918	29592	30819
		35	4213	5826	7799	10156	12919	16178	19821	23910	28434	29758
		38	3871	5456	7367	9655	12337	15428	18951	23024	27434	28274
		43	3349	4841	6644	8804	11337	14266	17596	21472	25669	26583
	60	32	5447	7439	9920	12842	16273	20229	24720	29901	35511	36983
		35	5055	6991	9359	12187	15503	19413	23786	28692	34121	35710
		38	4645	6547	8841	11586	14804	18513	22742	27629	32920	33929
		43	4019	5809	7973	10564	13604	17119	21115	25766	30803	31900
APS56.4ML2-1VSD	30	32	5383	7394	9840	12791	16231	20207	24731	29827	35642	38713
		35	5032	6990	9368	12204	15525	19364	23808	28751	34260	37222
		38	4664	6587	8899	11647	14863	18579	22811	27571	33025	35903
		43	3732	5504	7620	10123	13040	16460	20315	24656	29500	32114
	50	32	8975	12324	16400	21318	27051	33678	41219	49711	59404	64521
		35	8386	11650	15614	20340	25875	32274	39680	47919	57100	62037
		38	7774	10978	14831	19412	24772	30965	38018	45951	55042	59838
		43	6220	9173	12700	16872	21733	27433	33859	41093	49166	53523
	60	32	10770	14789	19680	25582	32461	40414	49463	59653	71285	77425
		35	10063	13980	18737	24480	31050	38729	47616	57503	68520	74444
		38	9329	13174	17797	23294	29726	37158	45622	55141	66050	71806
		43	7464	11008	15240	20246	26080	32920	40631	49321	58999	64228

■ Compressor superheat must be less than 20K
 ▲ Capacities based on 20 °C return vapour and 0 K sub cooling

Capacity Data

SEMI HERMETIC RECIPROCATING - BITZER

R404A Medium / Low Temperature Application

Model	Ambient Temp. °C	Saturated Suction Temperature: °C									
		-40	-35	-30	-25	-20	-15	-10	-5	0	5
APB4.9ML2-4	32	931	1288	1707	2200	2758	3394	4111	4913	5802	6840
	35	858	1201	1601	2065	2596	3199	3902	4670	5521	6458
	38	783	1114	1496	1939	2447	3024	3673	4398	5241	6135
	43	666	965	1321	1728	2194	2723	3317	3980	4710	5563
APB6.0ML2-4	32	1191	1625	2142	2732	3407	4172	5028	5979	7085	8241
	35	1096	1514	2002	2564	3206	3956	4777	5686	6685	7855
	38	997	1404	1872	2409	3023	3717	4493	5394	6347	7379
	43	845	1220	1650	2145	2709	3343	4051	4876	5740	6671
APB8.5ML2-4	32	1684	2315	3037	3870	4818	5888	7082	8468	9931	11513
	35	1556	2150	2840	3633	4562	5587	6732	7994	9370	10984
	38	1428	1997	2658	3417	4279	5251	6381	7590	8905	10318
	43	1204	1738	2347	3046	3838	4728	5715	6871	8066	9342
APB11.5ML3-4	32	2312	3150	4143	5268	6551	7997	9612	11488	13469	15616
	35	2141	2944	3877	4949	6204	7590	9136	10844	12706	14899
	38	1970	2739	3632	4657	5823	7134	8663	10296	12078	13995
	43	1675	2396	3218	4160	5229	6429	7763	9323	10941	12675
APB15.8ML3-4	32	3233	4453	5856	7448	9229	11311	13495	15837	18615	21261
	35	2960	4123	5502	7030	8739	10623	12835	15085	17453	20330
	38	2718	3835	5111	6554	8250	10055	12017	14108	16611	18947
	43	2319	3348	4521	5843	7400	9046	10831	12721	14721	16947
APB20.8ML2-4	32	4360	5887	7641	9660	11960	14550	17436	20782	24315	28129
	35	4056	5505	7186	9113	11361	13846	16615	19664	22980	26862
	38	3752	5146	6762	8612	10712	13067	15792	18708	21876	25277
	43	3227	4530	6034	7748	9684	11849	14240	17003	19873	22933
APB25.8ML2-4	32	5020	7013	9285	11881	14807	18231	21865	25797	29974	34966
	35	4640	6510	8670	11221	14026	17146	20560	24573	28578	32730
	38	4264	6056	8125	10481	13129	16235	19498	23007	26704	31177
	43	3632	5283	7186	9346	11766	14609	17572	20740	24052	27933
APB29.6ML2-4	32	5773	8117	10806	13848	17243	21190	25287	29647	34826	39565
	35	5317	7546	10182	13084	16322	19880	24074	28238	32554	37869
	38	4896	7016	9444	12184	15416	18808	22465	26323	30988	35112
	43	4144	6080	8294	10787	13552	16841	20146	23607	27367	31112
APB36.7ML2-4	32	6817	9645	12867	16549	20718	25393	30874	36655	42928	50393
	35	6304	8945	11999	15493	19612	24101	29081	34541	40988	47425
	38	5794	8305	11219	14558	18345	22589	27591	32819	38464	45257
	43	4882	7205	9864	12920	16388	20273	24884	29648	34764	40312

■ Requires additional fan compressor cooling

▲ Capacities based on 20 °C return vapour and 0 K sub cooling

Capacity Data

SEMI HERMETIC RECIPROCATING - BITZER

R134a Medium / Low Temperature Application

Model No.	Ambient Temp. °C	Saturated Suction Temperature: °C									
		-30	-25	-20	-15	-10	-5	0	5	10	12.5
APB4.9ML2-4	32	801	1122	1504	1952	2475	3081	3779	4577	5483	5981
	35	753	1065	1435	1870	2377	2964	3639	4432	5317	5804
	38	705	1008	1371	1794	2287	2859	3516	4269	5124	5593
	43	630	919	1260	1660	2127	2668	3289	3999	4802	5243
APB6.0ML2-4	32	1006	1407	1884	2442	3092	3840	4694	5660	6816	7421
	35	936	1322	1781	2318	2942	3660	4518	5464	6529	7107
	38	865	1244	1689	2211	2818	3517	4318	5224	6241	6794
	43	766	1117	1534	2022	2588	3240	3984	4824	5830	6354
APB8.5ML2-4	32	1419	1958	2599	3352	4226	5236	6387	7690	9248	10063
	35	1330	1851	2470	3196	4039	5041	6168	7448	8888	9669
	38	1241	1753	2354	3061	3883	4832	5916	7147	8527	9276
	43	1115	1592	2158	2822	3594	4483	5497	6644	8015	8730
APB11.5ML3-4	32	1828	2568	3449	4486	5695	7090	8686	10492	12648	13778
	35	1704	2421	3273	4275	5441	6827	8389	10162	12158	13242
	38	1580	2285	3116	4094	5232	6546	8050	9754	11668	12706
	43	1410	2071	2855	3776	4846	6079	7485	9074	10968	11957
APB15.8ML3-4	32	2927	4031	5331	6846	8589	10572	12956	15514	18338	19845
	35	2739	3805	5061	6569	8277	10227	12427	14880	17581	19018
	38	2575	3615	4841	6268	7912	9786	11897	14246	17088	18521
	43	2298	3276	4427	5765	7303	9141	11154	13403	15880	17200
APB20.8ML2-4	32	3661	5020	6634	8530	10738	13280	16184	19468	23385	25430
	35	3440	4754	6312	8142	10270	12796	15631	18844	22452	24410
	38	3219	4508	6024	7804	9874	12258	14982	18064	21519	23391
	43	2902	4102	5526	7195	9133	11361	13900	16766	20195	21971
APB25.8ML2-4	32	4146	5920	8011	10453	13278	16509	20379	24559	29208	31709
	35	3832	5544	7563	9918	12755	15905	19478	23485	27931	30318
	38	3519	5222	7186	9477	12125	15151	18577	22411	26655	28926
	43	3062	4622	6461	8604	11075	13894	17296	20929	24948	27100
APB29.6ML2-4	32	4913	6932	9332	12149	15412	19141	23647	28438	33712	36519
	35	4506	6463	8785	11631	14821	18468	22586	27174	32206	34877
	38	4168	6078	8345	11001	14073	17578	21526	25910	31301	33944
	43	3521	5324	7459	9953	12827	16324	20081	24251	28810	31221
APB36.7ML2-4	32	5513	8022	10974	14420	18408	22983	28188	34394	41040	44633
	35	5055	7483	10339	13671	17525	22132	27204	32919	39295	42736
	38	4597	7016	9797	13040	16789	21084	25960	31444	37550	40839
	43	3939	6158	8768	11809	15321	19336	23885	29369	35154	38266

■ Requires additional fan compressor cooling
 ▲ Capacities based on 20 °C return vapour and 0 K sub cooling

Capacity Data

SCROLL - COPELAND

R404A Medium Temperature Application

Model	Ambient Temp. °C	Saturated Suction Temperature: °C					
		-15	-10	-5	0	5	10
APC4.6M1-4	32	3285	3890	4604	5356	6178	7120
	35	3143	3710	4394	5129	5933	6760
	38	3001	3544	4186	4859	5633	6476
	43	2711	3251	3829	4444	5148	5952
APC5.7M2-4	32	4008	4827	5722	6677	7867	9069
	35	3833	4616	5478	6413	7477	8649
	38	3653	4376	5208	6136	7154	8303
	43	3359	4030	4780	5621	6600	7670
APC7.9M2-4	32	5615	6665	7915	9338	10861	12548
	35	5375	6384	7587	8888	10351	12070
	38	5105	6084	7250	8490	9912	11470
	43	4662	5554	6630	7791	9111	10542
APC11.5M3-4	32	8138	9712	11536	13542	15723	18074
	35	7800	9291	10996	12912	15073	17369
	38	7410	8841	10498	12332	14323	16529
	43	6738	8075	9600	11316	13182	15243
APC14.4M3-4	32	10310	12260	14418	16763	19478	
	35	9830	11660	13776	16015	18458	
	38	9346	11082	13026	15115	17622	
	43	8471	10078	11827	13755	16030	
APC18.3M2-4	32	12744	15379	18285	21580	25132	28976
	35	12195	14745	17548	20620	23992	27842
	38	11595	14055	16738	19751	22968	25022
	43	10493	12865	15358	18189	21113	23200
APC20.3M2-4	32	14394	17181	20254	23802	27558	31606
	35	13783	16466	19408	22662	26238	30344
	38	13123	15686	18552	21674	25077	28784
	43	12012	14340	16993	19889	23003	26448
APC24.7M2-4	32	17303	20776	24694	29007	33925	39168
	35	16583	19926	23721	27880	32425	37428
	38	15836	19056	22641	26620	31093	35877
	43	14537	17554	20843	24544	28675	33062
APC29.7M2-4	32	21011	25192	29740	34892	40437	46524
	35	20038	24098	28492	33302	38553	44692
	38	18904	22880	27229	31846	36890	42406
	43	16862	20711	24871	29179	33856	36393
APC34.9M2-4	32	24320	29295	34863	40805	47265	49995
	35	23086	27909	33159	38855	45380	48022
	38	21724	26503	31577	37083	43040	45556
	43	19325	23912	28686	33856	39430	41787

■ Requires additional fan compressor cooling

▲ Capacities based on 20 °C return vapour and 0 K sub cooling

Capacity Data

SCROLL - COPELAND

R134a Medium Temperature Application

Model	Ambient Temp. °C	Saturated Suction Temperature: °C					
		-15	-10	-5	0	5	10
APC4.6M1-4	32	1857	2324	2860	3488	4195	5004
	35	1797	2252	2778	3383	4071	4848
	38	1737	2175	2688	3269	3946	4701
	43		2046	2533	3094	3724	4441
APC5.7M2-4	32	2172	2718	3364	4108	4963	5929
	35	2100	2634	3262	3988	4823	5760
	38	2030	2551	3158	3866	4667	5574
	43		2409	2980	3655	4414	5275
APC7.9M2-4	32	3150	3942	4869	5942	7168	8553
	35	3048	3816	4719	5768	6964	8306
	38	2947	3696	4573	5582	6742	8055
	43		3490	4321	5279	6375	7624
APC11.5M3-4	32	4539	5726	7075	8622	10381	12397
	35	4395	5552	6859	8376	10082	12036
	38	4252	5381	6655	8118	9776	11678
	43		5089	6299	7683	9259	11056
APC14.4M3-4	32	5776	7354	9061	10965	13132	15554
	35	5565	7057	8780	10633	12702	15075
	38	5355	6749	8489	10289	12292	14539
	43		6287	7885	9606	11574	13694
APC18.3M2-4	32	7119	8886	10954	13292	15995	18972
	35	6885	8604	10594	12902	15530	18437
	38	6654	8324	10259	12497	15020	17867
	43		7848	9691	11812	14196	16908
APC20.3M2-4	32	8122	10091	12416	15122	18138	21543
	35	7858	9779	12026	14661	17616	20935
	38	7597	9460	11648	14181	17046	20319
	43		8915	10982	13401	16126	19217
APC24.7M2-4	32	9383	11696	14461	17578	21161	25125
	35	9083	11336	14011	17038	20501	24430
	38	8786	10970	13556	16512	19901	23650
	43		10331	12765	15610	18821	22392
APC29.7M2-4	32	11812	14765	18205	22078	26534	31582
	35	11332	14285	17635	21439	25772	30648
	38	10847	13761	17030	20719	24932	29703
	43		12805	15978	19517	23502	28003
APC34.9M2-4	32	13750	17381	21511	26228	31518	37524
	35	13210	16781	20815	25433	30622	36324
	38	12661	16147	20095	24593	29717	35228
	43		15040	18827	23148	27996	33285

■ Requires additional fan compressor cooling

▲ Capacities based on 18 °C return vapour and 3 K sub cooling

Physical Data

Hermetic - Tecumseh

Product Code	Model	See Figure
2709753	AP1.7M1-4	1
2709754	AP2.1M1-4	1
2709755	AP2.5M1-4	1
2709756	AP2.8M1-4	1
2709757	AP3.9M1-4	1
2709758	AP4.1M1-4	1
2709759	AP5.7M2-4	2
2709760	AP7.8M2-4	2
2709761	AP8.8M2-4	2
2709762	AP10.7M2-4	2
2709763	AP13.1M2-4	2
2709770	AP1.9L1-4	1
2709771	AP2.9L1-4	1
2709772	AP3.3L2-4	2
2709773	AP4.8L2-4	2
2709774	AP6.2L2-4	2

Semi Hermetic - Tecumseh

Product Code	Model	See Figure
2701982	APS4.6ML2-1	2
2701983	APS6.0ML2-1	2
2701984	APS8.3ML2-1	2
2701985	APS11.7ML3-1	3
2701986	APS14.4ML3-1	3
2701987	APS19.0ML2-1	4
2701988	APS25.8ML2-1	4
2701989	APS33.6ML2-1	4
2702251	APS39.5ML2-1	5
2702252	APS46.5ML2-1	5
2702253	APS56.4ML2-1	5
2702254	APS64.2ML2-1	5

Semi Hermetic with VSD - Tecumseh

Product Code	Model	See Figure
3508002	APS6.0ML2-1 VSD	2
3508004	APS11.7ML3-1 VSD	3
3508007	APS25.8ML2-1 VSD	4
3508011	APS56.4ML2-1 VSD	5

Semi Hermetic - Bitzer

Product Code	Model	See Figure
2709801	APB4.9ML2-4	2
2709802	APB6.0ML2-4	2
2709803	APB8.5ML2-4	2
2709804	APB11.5ML3-4	3
2709805	APB15.8ML3-4	3
2709806	APB20.8ML2-4	4
2709807	APB25.8ML2-4	4
2709808	APB29.6ML2-4	4
2709809	APB36.7ML2-4	4

Copeland Scroll

Product Code	Model	See Figure
2709777	APC4.6M1-4	1
2709778	APC5.7M2-4	2
2709779	APC7.9M2-4	2
2709780	APC11.5M3-4	3
2709782	APC14.4M3-4	3
2709783	APC18.3M2-4	4
2709784	APC20.3M2-4	4
2709785	APC24.7M2-4	4
2709786	APC29.7M2-4	4
2709787	APC34.9M2-4	4

Physical Data

FIGURE 1 (1 x 350mm Fan)

Figure 1.0

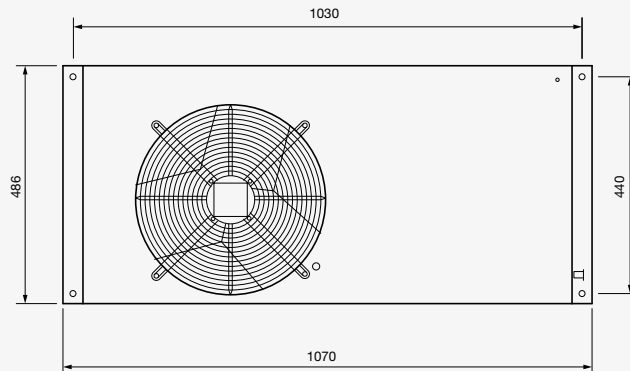


Figure 1.1

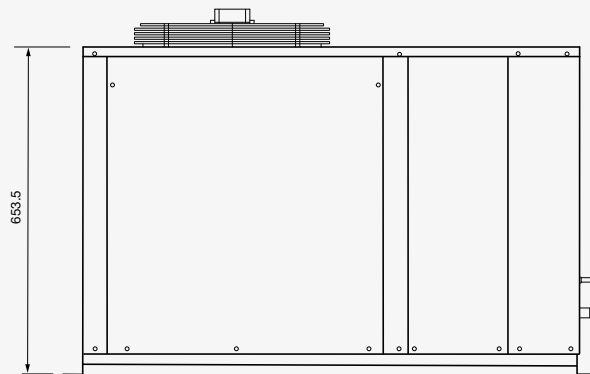
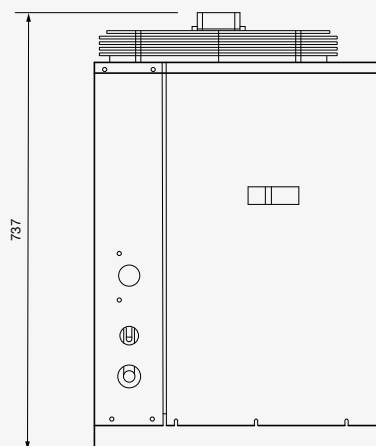


Figure 1.2



For wiring and installation instructions visit www.actrol.com.au

Allow sufficient space for service work.
Minimum distance from wall on condenser side of unit = 1/2 fan diameter, 1 fan diameter recommended

Physical Data

FIGURE 2 (2 x 350mm Fan)

Figure 2.0

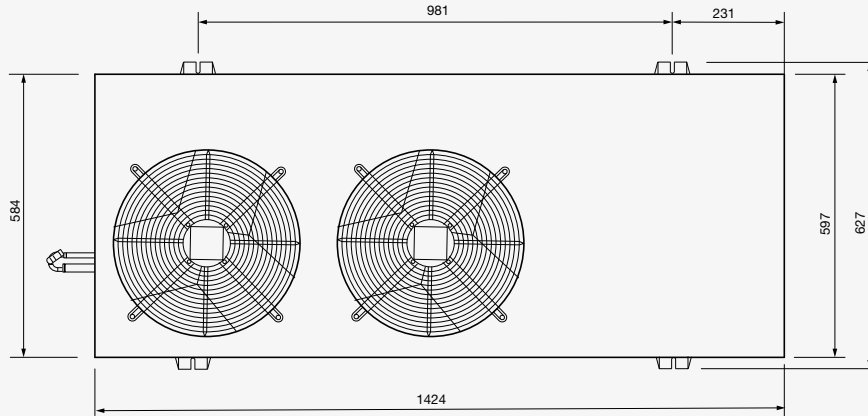


Figure 2.1

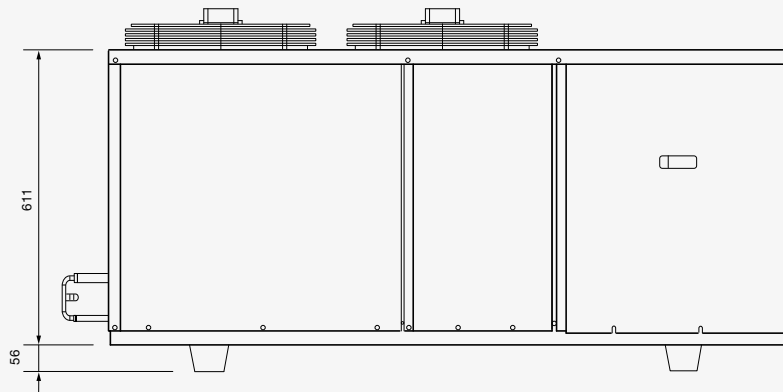
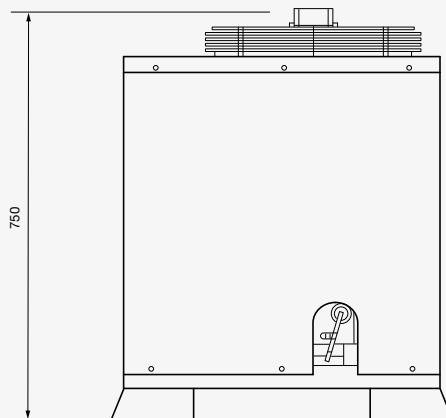


Figure 2.2



For wiring and installation instructions visit www.actrol.com.au

Allow sufficient space for service work.
Minimum distance from wall on condenser side of unit = 1/2 fan diameter, 1 fan diameter recommended

Physical Data

FIGURE 3 (3 x 350mm Fan)

Figure 3.0

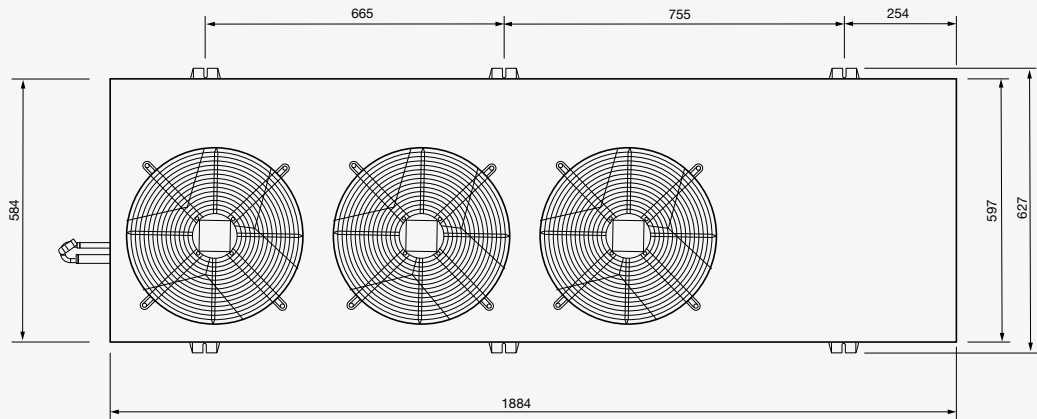


Figure 3.1

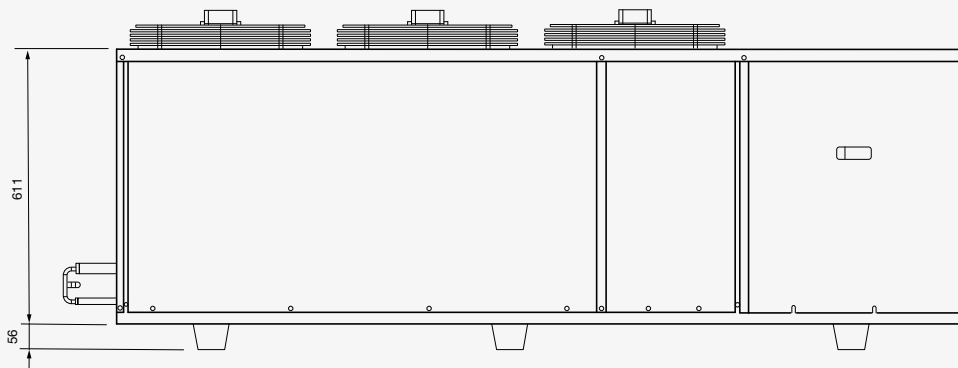
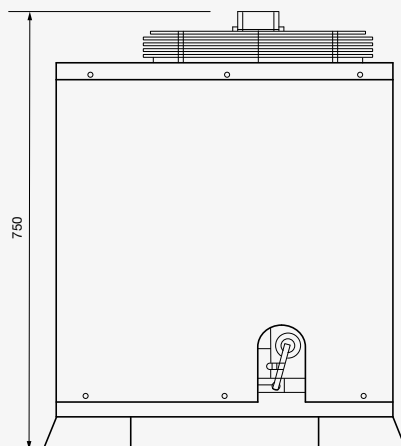


Figure 3.2



For wiring and installation instructions visit www.actrol.com.au

Allow sufficient space for service work.
Minimum distance from wall on condenser side of unit = 1/2 fan diameter, 1 fan diameter recommended

Physical Data

FIGURE 4 (2 x 500mm Fan)

Figure 4.0

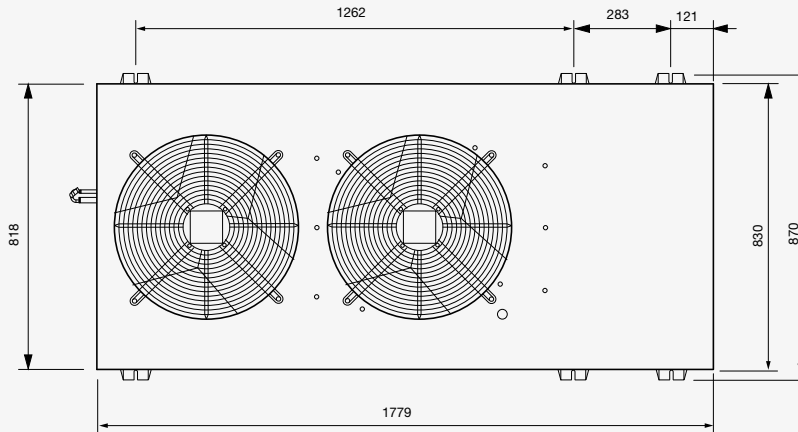


Figure 4.1

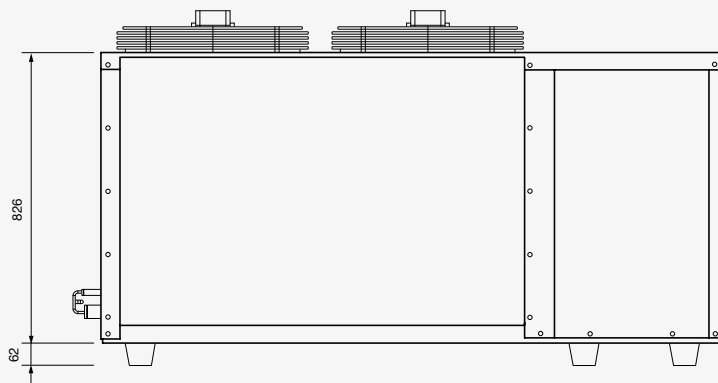
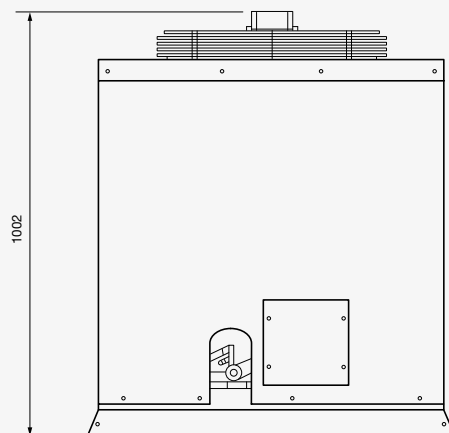


Figure 4.2



For wiring and installation instructions visit www.actrol.com.au

Allow sufficient space for service work.
Minimum distance from wall on condenser side of unit = 1/2 fan diameter, 1 fan diameter recommended

Physical Data

FIGURE 5 (2 x 710mm Fan)

Figure 5.0

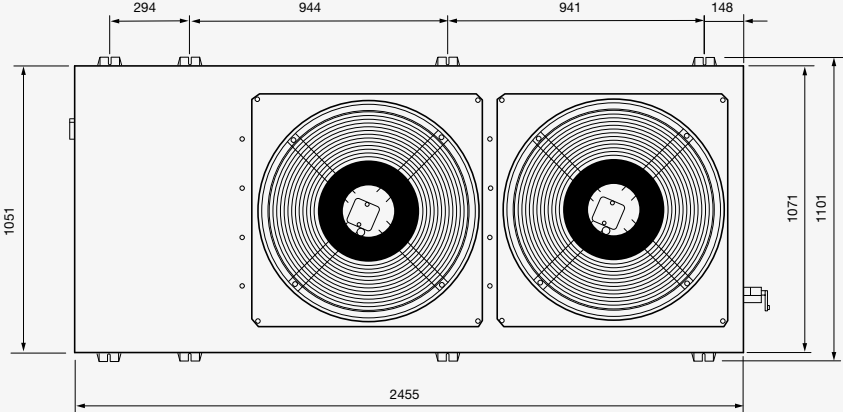


Figure 5.1

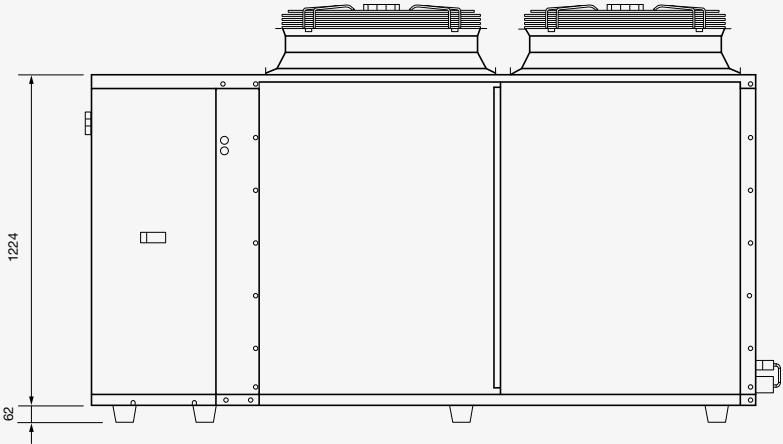
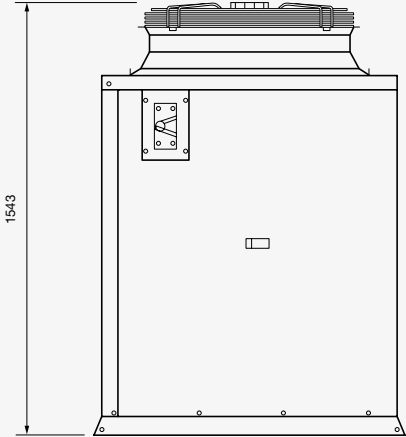


Figure 5.2



For wiring and installation instructions visit www.actrol.com.au

Allow sufficient space for service work.
 Minimum distance from wall on condenser side of unit = 1/2 fan diameter, 1 fan diameter recommended

actrol.com.au

Actrol. Works for you.™

Call **1800 ACTROL** or visit www.actrol.com.au for your nearest branch.

The manufacturer/distributor reserves the right to vary specifications or delete models from their range without prior notification. The manufacturer/distributor takes no responsibility for printing errors. All dimensions are nominal only.

V2 [BROCHURE CODE 2101545]



ACTROL™