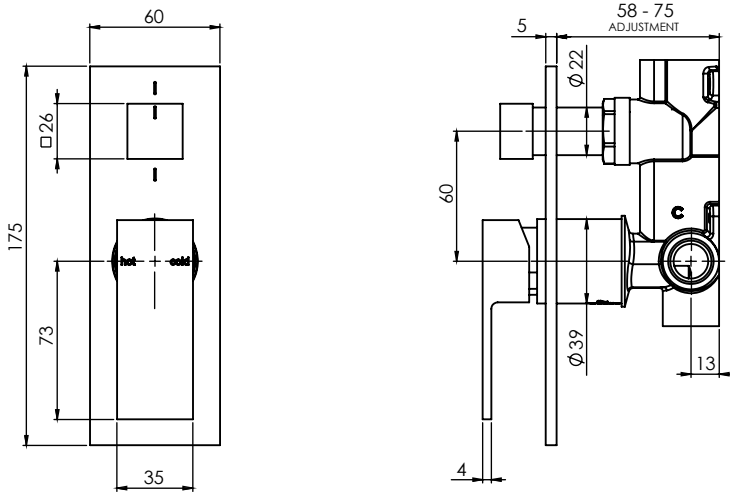


MILLI EDGE MK2

DIVERTER MIXER



SPECIFICATIONS

Recommended Use	Domestic, hotel and commercial
Finish Available	Chrome
Pressure Rating	Maximum continuous operating pressure 500 kPa. Note: For best performance and longer life, we recommend 150-500 kPa.
Temperature Rating	Maximum continuous working temperature 75°C
Suitable Hot Water	Storage Tank: Yes Continuous Flow: Refer to manufacturer of continuous hot water systems Gravity Feed: No
Standards	AS/NZS 3718



CLEANING RECOMMENDATIONS

We recommend the use of soapy water or approved cleaners. This product should not be cleaned with abrasive materials. Damage caused by any improper treatment is not covered by the product warranty- refer to Warranty Conditions.

To see the complete MILLI EDGE range go to www.reece.com.au/bathrooms

MILLI EDGE MK2 DIVERTER MIXER

INSTALLATION INSTRUCTIONS

Important Note

Mixer must be installed to the requirements of AS/NZS 3500 by a qualified plumber. Your mixer comes to you already factory assembled and tested. We do not recommend the dismantling of any internal part of the mixer. The mixers are factory tested and sealed so as to give the best performance.

INSTALLATION INSTRUCTIONS
DIVERTER MIXER
IN0288 REV B

	<p>1</p> <p>Screw the diverter mixer assembly in place. Attach water supplies.</p> <p>Test and check for leaks</p> <p>Do not remove Protective Covers until final fit-off.</p>	<p>2</p> <p>Cut a 40mm hole and a 45mm hole in cement sheet and tiles, 60mm apart, as shown.</p>	<p>CARTRIDGE REPLACEMENT</p> <p>Removing Diverter:</p> <ol style="list-style-type: none"> Unfasten and remove the Diverter Handle. Pull the Dress Plate off the Mixer Assembly Unscrew and remove the Diverter Shroud with a 27mm tube spanner. Unscrew and remove the Diverter Cartridge with a 21mm tube spanner. <p>Installing Diverter:</p> <ol style="list-style-type: none"> Install the Diverter Cartridge with a 21mm tube spanner. Install the Diverter Shroud with a 27mm tube spanner. Push the Dress Plate back on the Mixer Assembly Turn spindle Anti-Clockwise until it stops. Fasten the Diverter Handle to the Diverter Cartridge. 	
	<p>3</p> <p>Remove the protective covers.</p> <p>Gently push Dress Plate onto Mixer Assembly</p>	<p>4</p> <p>Attach Mixer Handle and Diverter Handle to Mixer Assembly.</p> <p>Fasten Grub Screws firmly with Allen key supplied.</p> <p>Insert Screw Caps and press firmly in place.</p>		
<p>recommended working pressure</p> <p>150-500KPa</p> <p>maximum hot water temperature</p> <p>75 degrees</p>	<p>NOTE:</p> <ul style="list-style-type: none"> If the pressure exceeds or is likely to exceed 550kpa, an approved pressure limiting device must be installed. Flush out all pipe work prior to installation. If the water temperature exceeds 75°C, an approved tempering valve must be fitted. Installation should comply with Australian standard AS3500.1 or relevant local authority requirements. Showers may not be suitable for use with: <ul style="list-style-type: none"> Gravity-fed water systems Some instantaneous hot water systems or 	<ul style="list-style-type: none"> Pressure supply less than 150kPa. <p>NOTE:The 500kPa maximum water supply pressure does not apply to fire service outlets.</p> <p>Failure to comply with the above may void all warranties.</p> <p>WARRANTY:</p> <p>Please refer to the full warranty statement enclosed with the product before installing.</p>	<p>MAINTENANCE AND CARE:</p> <ul style="list-style-type: none"> Products should be cleaned with mild liquid detergent or soap and water. Do not use cream cleaners or citrus based cleaning products, as they are abrasive. Use of unsuitable cleaning agents may damage the surface. Any damage caused in this way will not be covered by warranty. 	<p>DISCLAIMER:</p> <p>While we aim to ensure the specifications shown are correct at the time of printing, we reserve the right to make modifications without prior notice. Always use the physical product measurements for mark-ups and roughing-in as the line drawing shown may differ from the actual product over time.</p> <p>*All measurements are shown in millimeters.</p>

Plumbers, please ensure a copy of the installation instructions is left with the end user for future reference