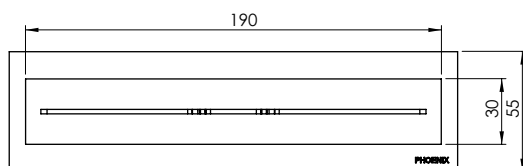
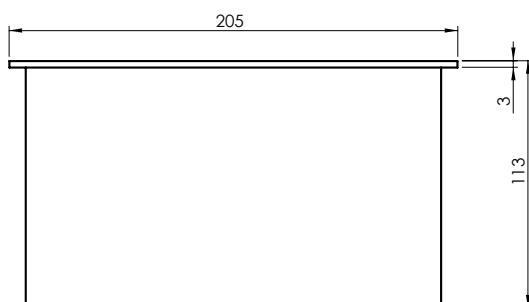


FLOW

WALL BATH OL SQ SLIT BOX 190X110



SPECIFICATIONS

Recommended Use	Domestic, hotel and commercial
Finish Available	Chrome
Suitable Hot Water	Storage Tank: Yes Continuous Flow: Refer to manufacturer of continuous hot water systems Gravity Feed: Yes
Standards	AS/NZS 3718

CLEANING RECOMMENDATIONS

We recommend the use of soapy water or approved cleaners. This product should not be cleaned with abrasive materials. Damage caused by any improper treatment is not covered by the product warranty- refer to Warranty Conditions.



To see the complete FLOW range go to www.reece.com.au/bathrooms


FLOW

WALL BATH OL SQ SLIT BOX 190X110

INSTALLATION INSTRUCTIONS

Important Note

Mixer must be installed to the requirements of AS/NZS 3500 by a qualified plumber. Your mixer comes to you already factory assembled and tested. We do not recommend the dismantling of any internal part of the mixer. The mixers are factory tested and sealed so as to give the best performance.



PHOENIX
www.phoenixtapware.com.au

Square Slit Box Outlets INSTALLATION INSTRUCTIONS

Water Supply Requirements

To ensure optimum performance and customer satisfaction please adhere to the following:

- Maximum hot water temperature 75°C.
- Recommended minimum working pressure 150kPa.
- Recommended maximum working pressure 500kPa.

If the water pressure exceeds or is likely to exceed 500kPa, an approved pressure limiting valve must be fitted.

- Flush out all pipe work prior to installation.
- If the water temperature exceeds 75°C an approved tempering valve must be fitted.
- Installation should comply with Australian standard AS3500.1 or relevant local authority requirements.

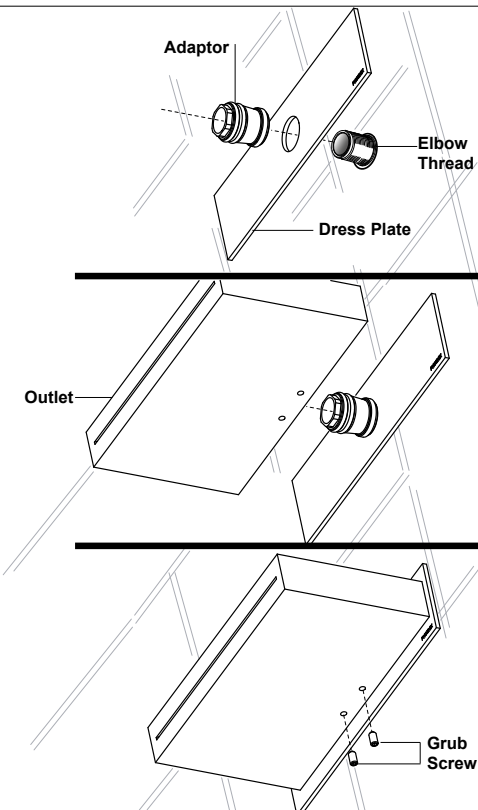
Failure to comply with the above may void all warranties. For details on Phoenix's warranty policy refer to www.phoenixtapware.com.au

Maintenance and Care

Do not use cleaning agents containing a corrosive acid or scouring agent. Do not use cream cleaners, as they are abrasive. Surfaces should only be cleaned with a cloth and clear water of mild liquid detergent. Use of unsuitable cleaning agents may damage the surface.

- Apply teflon tape to the elbow thread. And place the dress plate over the elbow thread.
- Fasten the adaptor with a spanner, and secure the dress plate to position.
- Push on the outlet.
- Fasten grub screws to secure the outlet.

TEST & CHECK FOR LEAKS



IN0068 revA

Plumbers, please ensure a copy of the installation instructions is left with the end user for future reference



PHOENIX

