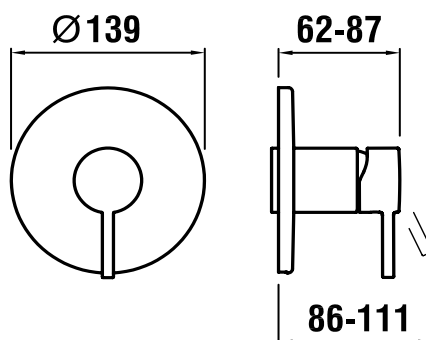


LAUFEN

TWIN PLUS SHOWER/BATH MIXER



Dimensions are nominal measurements only.

SPECIFICATIONS

Recommended use	Domestic, Hotel and Commercial
Colour availability	Chrome
Pressure rating	Maximum continuous operating pressure 1000kPa. As per AS/NZS3500 pressure must be limited to 500kPa on any new home, extension or renovation. For best performance and longer life we recommend 150-500kPa. Hot and cold water inlet pressure should be equal.
Temperature rating	Maximum continuous working temperature 80°C
Suitable Hot Water Units	Storage Tank: Yes Continuous Flow: Yes Gravity Feed: Not suitable



To see the complete LAUFEN range go to www.reece.com.au/bathrooms

CLEANING RECOMMENDATIONS

We recommend the use of soapy water or approved cleaners.

This product should not be cleaned with abrasive materials.

Damage caused by any improper treatment is not covered by the product warranty. Refer to Warranty Conditions.

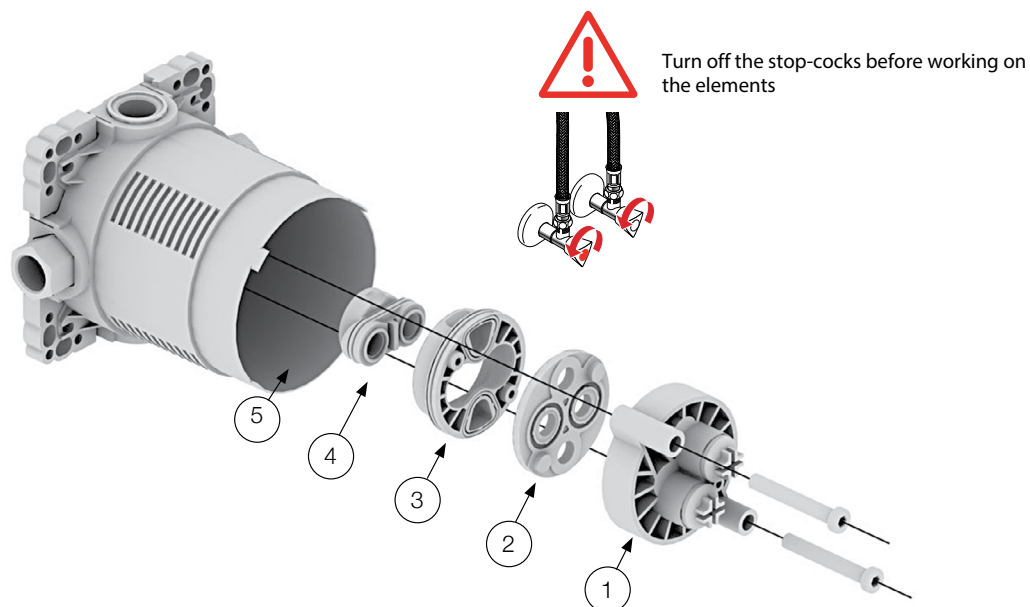
LAUFEN

TWIN PLUS SHOWER/BATH MIXER

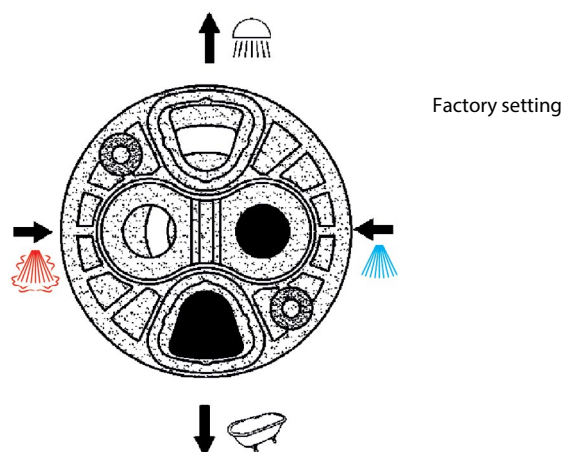
Important Note

Mixer must be installed to the requirements of AS/NZS 3500 by a qualified plumber. Your mixer comes to you already factory assembled and tested. We do not recommend the dismantling of any internal part of the mixer. The mixers are factory tested and sealed so as to give the best performance.

INSTALLATION INSTRUCTIONS



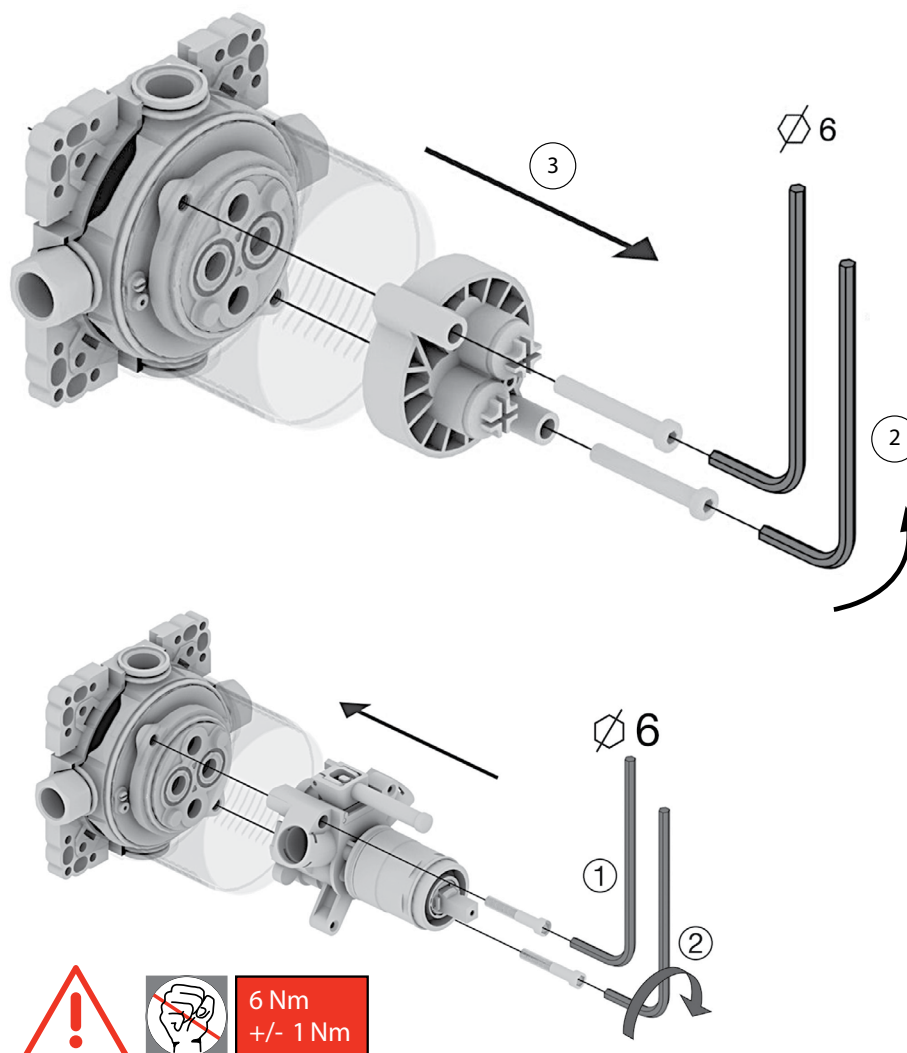
Input/Output inverters



Plumbers, please ensure a copy of the installation instructions is left with the end user for future reference

LAUFEN

TWIN PLUS SHOWER/BATH MIXER



Tighten the 2 screws parallel (1 turn each side)
Check before installation that all seals are available and at the right place

LAUFEN

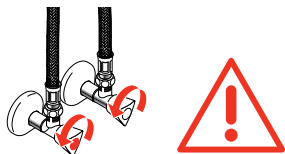
TWIN PLUS SHOWER/BATH MIXER



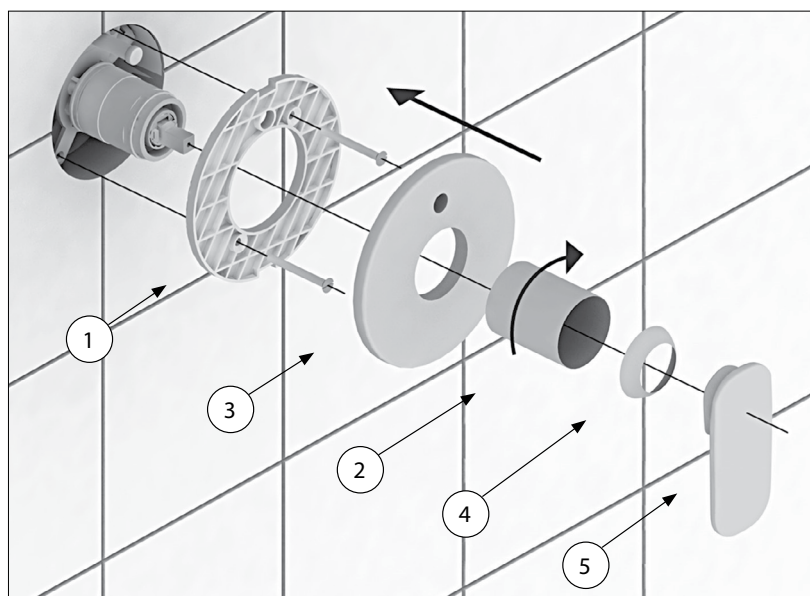
Examples of how to fit the decorative elements



Before installing the decor, open the valves and check for water tightness



Only for Simibox Light **without** stop valves



Plumbers, please ensure a copy of the installation instructions is left with the end user for future reference