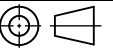


NOTE: REGAL AUSTRALIA IS HAPPY TO PROVIDE TECHNICAL ASSISTANCE TO OUR CUSTOMERS IN MANY AREAS. HOWEVER, SINCE REGAL AUSTRALIA IS NOT AWARE OF ALL DATA CONCERNING THE USE AND APPLICATION OF THIS MOTOR, THE SUITABILITY OF THE MOTOR FOR THE APPLICATION MUST BE DETERMINED BY AND IS THE RESPONSIBILITY OF THE CUSTOMER.

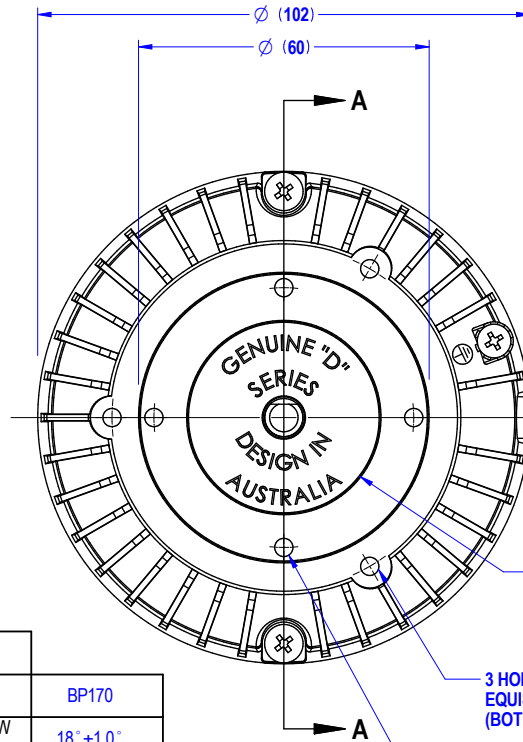


MOTOR SPECIFICATION

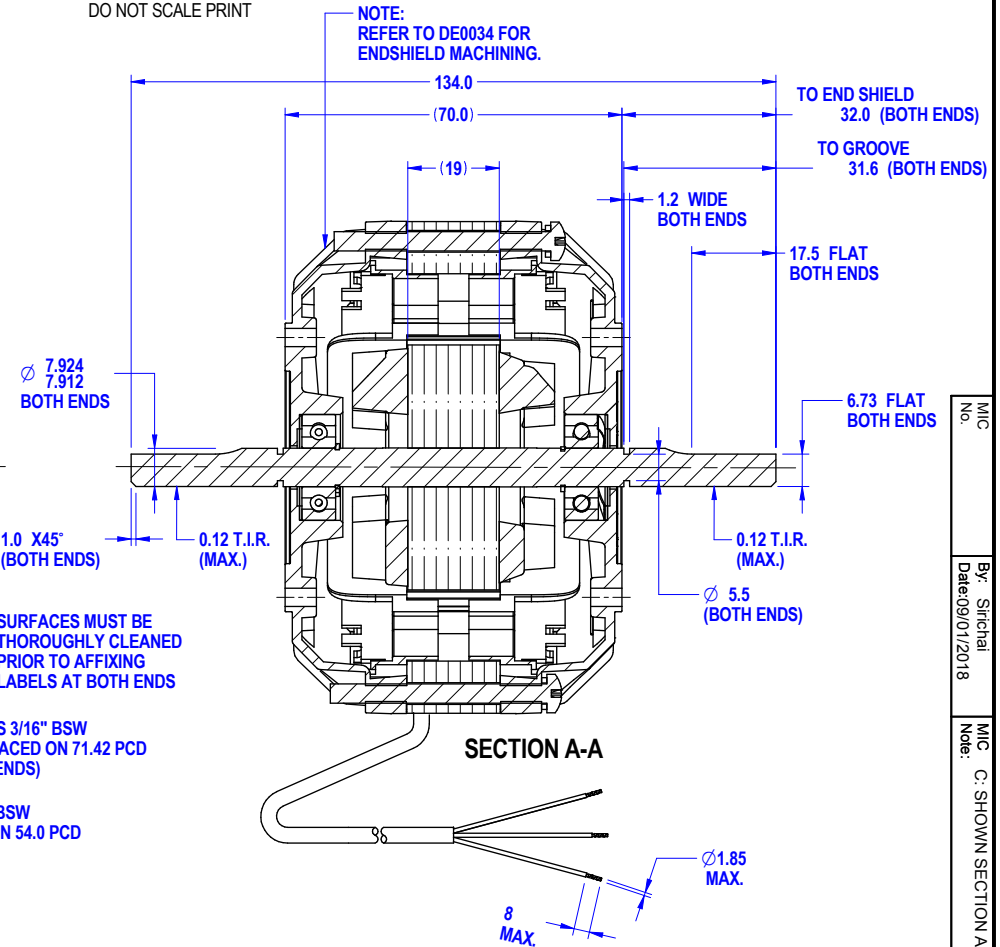
CUSTOMER					
CUSTOMER P/N					
QR No.		CAPACITOR	uf / V		
POWER OUTPUT	20W	START	NIL		
MOTOR TYPE	SH/POLE	RUN	NIL		
SUPPLY	VOLTS	HERTZ	PHASE	POLES	
	240	50	SINGLE	4	
ENCLOSURE	TOTALLY ENCLOSED				
SPEED (RPM) AT RATED OUTPUT	1350	WINDING TYPE	FIXED		
ROTATION	CLOCKWISE - LEAD END				
INSULATION CLASS	F 155	DUTY	AOM		
THERMAL PROTECTION	AUTO RESET				
RATED CURRENT	0.53	AMPS AT RATED OUTPUT			
APPLICATION	FAN DRIVE				
MOUNTING	TAPPED HOLES IN ENDSHIELDS				
BEARING & LUBRICATION	608ZZ WIDE RANGE, LONG LIFE		ROTOR END RINGS		
SUPPLY LEAD	COLOUR	PVC GREY		ALUMINIM GRADE	BP170
	LENGTH	750	+50 -0 (45±5 STRIPPED)	RADIAL SKEW ANGLE	18° ±1.0°
	TERMINALS	BOOTLACES		END RING No.1 DRAWING	306-073-31
	Q.C. HOUSING	NIL		END RING No.2 DRAWING	306-073-30
✓ MULTI STRAND					
□ SINGLE CORE					
EARTH PROVISION	VIA SUPPLY LEAD				
BASIC BUILD SPECIFICATION			WINDING		
PERFORMANCE SPECIFICATION			WIRE	0.25PEI-2	
SHAFT MATERIAL	MILD STEEL		TURNS	640	
CONNECTION DIAGRAM	NIL	PAINT SPEC	NIL	OHMS	105

SPECIAL REQUIREMENTS

- 1) PLACE IN PLASTIC BAG AND ATTACH TO LEAD
- 4 - SCREWS 3/16" BSW x 8.0mm PAN POSI HD.
- 4 - SHAKEPROOF EXTERNAL WASHER 5mm I.D.
- 2) RUST PREVENTATIVE TO BE APPLIED TO MILD STEEL SHAFTS AFTER ASSEMBLY.
- 3) SINGLE CARTON, 6-MOTOR IN PLAIN BOX.
- 4) SHAFT MATERIAL 45 STEEL.
- 5) 1-ONLY INSTRUCTION SHEET 398-060-01 TO BE PLACED IN EACH SIX PACK CARTON.



DO NOT SCALE PRINT

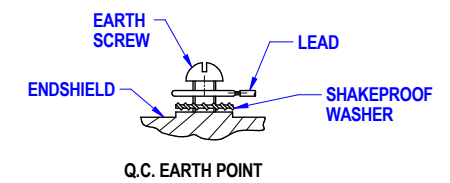


SURFACES MUST BE THOROUGHLY CLEANED PRIOR TO AFFIXING LABELS AT BOTH ENDS

3 HOLES 3/16" BSW EQUISPACED ON 71.42 PCD (BOTH ENDS)

4 HOLES 3/16" BSW EQUISPACED ON 54.0 PCD (BOTH ENDS)

SECTION A-A



DIMENSIONS IN mm UNLESS OTHERWISE SPECIFIED
 GENERAL TOLERANCES
 LINEAR: X = ±1.0
 X.X = ±0.25
 X.XX = ±0.1
 ANGULAR: X = 2°
 X.X = ±0.5°
 SURFACE FINISHES IN MICRO METRES. MAX 3.0
 SYMBOLS - A.S. 1100

This drawing remains the property of Regal Australia Pty. Ltd. No part or parts of this drawing may be reproduced without written permission.

MAT'L		
FINISH		
DRAWN	MURFETTR	07/05/07
CHECKED		
RELEASED		
SCALE		

REGAL
 19 Corporate Avenue
 Rowville, Melbourne
 Victoria 3178, Australia

FRAME	MOTOR		REVISION
STATUS	4P 20W		
W	DWG. NO.	50D502-80AT	C
SHEET	A3		

MIC No. _____
 By: Sritchal Date: 09/01/2018
 MIC No. _____
 C: SHOWN SECTION A-A