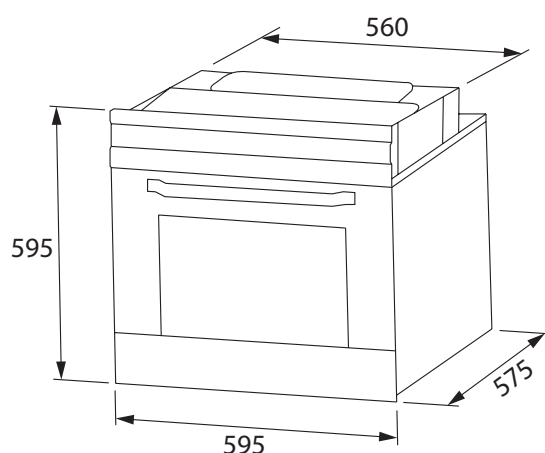


FRANKE

DESIGNER 5 FUNCTION OVEN 60CM



Dimensions are nominal measurements only.

SPECIFICATIONS

Recommended use	Domestic
Material	Black Glass
Functions	5
Colour availability	Black
Net weight	30.4kg
Dimensions	595 x 575 x 595mm
Source	Electrical
Cavity size	70L
Max current	230V-13A 240V-15A
Temperature range	50/250
Timer	Yes
Convection fan	Yes
Cooling fan	Yes
Door glazing	Double
Shelf rack	2
Baking pan (enamelled)	1
Telescopic runner	N/A
Power cord without plug	Hard wired
Power cord length	1400mm
Controller (knobs)	3 x push in & out easy-tronic



To see the complete FRANKE range go to www.reece.com.au/bathrooms

CLEANING RECOMMENDATIONS

Clean the surface of the unit with a damp cloth, soft brush or fine sponge and then wipe dry.

In case of heavy soiling, use hot water with non-abrasive cleaning product. For cleaning the glass of the oven door, do not use abrasive cleaners or sharp metal scrapers, these can scratch the surface or lead to the glass being damaged. Never leave acidic substances (lemon juice, vinegar) on stainless steel parts. Do not use a high pressure cleaner for cleaning the unit. The baking pans may be washed in mild detergent.

FRANKE

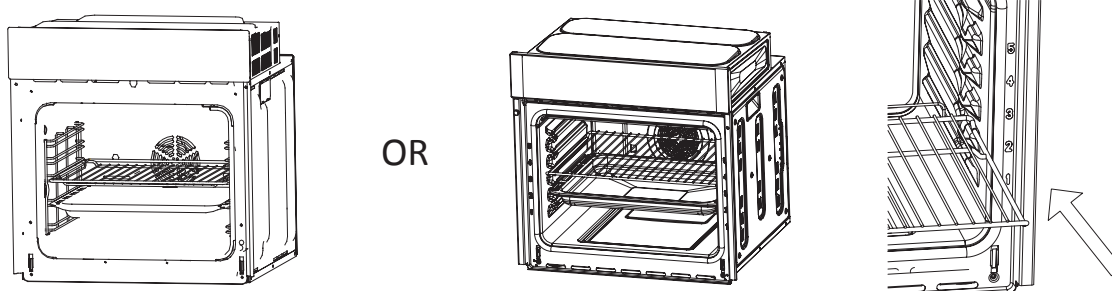
DESIGNER 5 FUNCTION OVEN 60CM

INSTALLATION INSTRUCTIONS

Shelf placement and warning

To ensure the oven shelves operate safely, correct placement of the shelves between the side rail is imperative. Shelves and the pan only can be used between the first and fifth layers.

Placement of the shelves should follow the installation instructions accurately and in the right direction to ensure no items will fall when removing the shelf or tray.

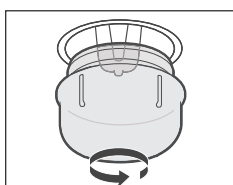


Bulb replacement

For replacement, process as follows:

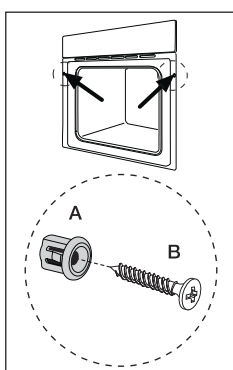
1. Disconnect power from the mains outlet or switch off the circuit breaker of the unit's mains outlet.
2. Unscrew the glass lamp cover by turning it counter clockwise (note, it may be stiff) and replace the bulb with a new one of the same type.
3. Screw the glass lamp cover back in place.

NOTE: Only use 25-40W/220V-240V, T300°C halogen lamps.



Securing the oven to the cabinet

1. Fit oven into the cabinet recess.
2. Open the oven door.
3. Secure the oven to the kitchen cabinet with two distance holders "A" which fit the holes in the oven frame and fit the two screws "B".



Plumbers, please ensure a copy of the installation instructions is left with the end user for future reference

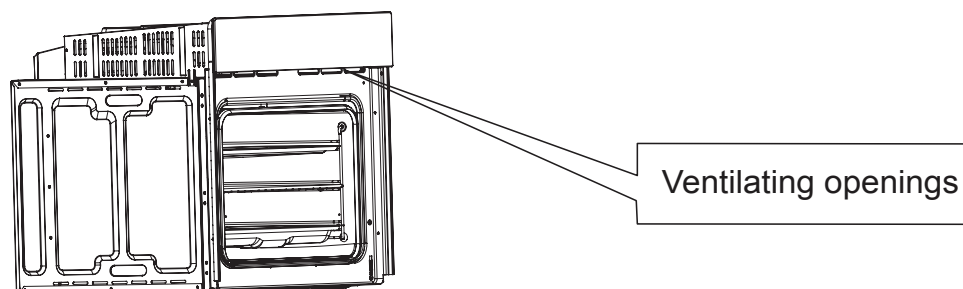
FRANKE

DESIGNER 5 FUNCTION OVEN 60CM

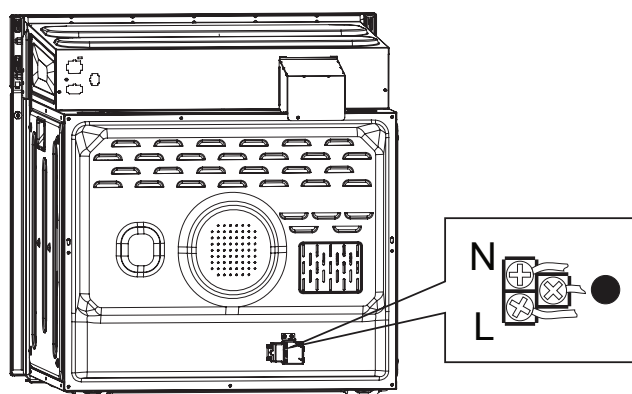
INSTALLATION INSTRUCTIONS

Ventilating openings

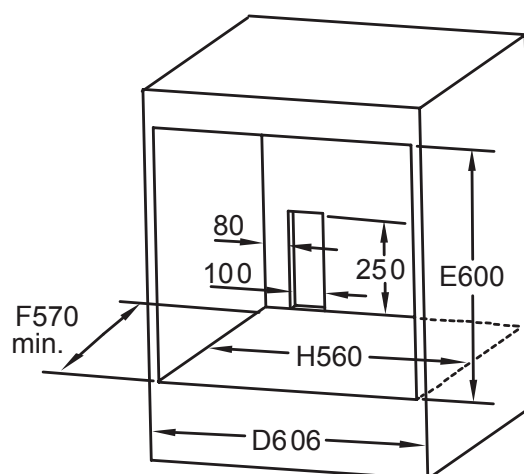
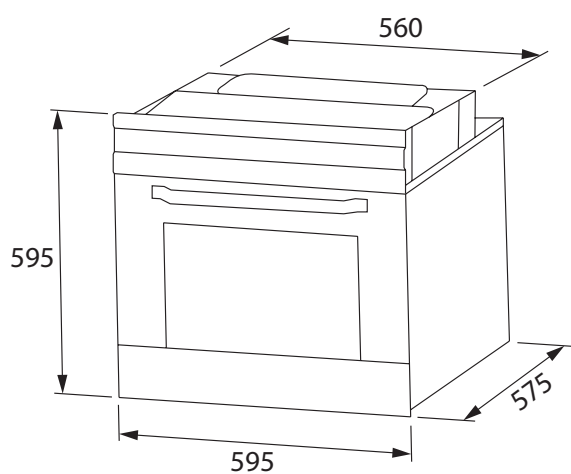
When cooking is finished or in pause state or in waiting state, if the oven's centre temperature is over 75 degree, the cooling fan will continue working for 15 minutes. Or when the oven's centre temperature becomes lower than 75 degree, the cooling fan will stop in advance.



Connection of the oven



Installation



Plumbers, please ensure a copy of the installation instructions is left with the end user for future reference