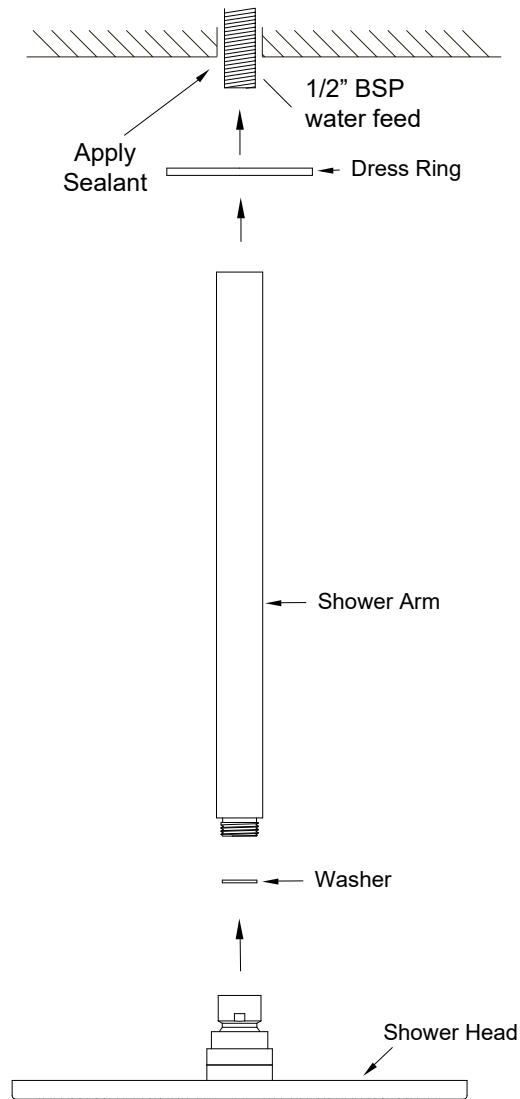


# Scala Nova Vertical Shower

SUSSEX



## Product code

SNVS300

## Install Preparation:

- Ensure all parts are accounted for.
- A flow controller has been incorporated within the shower hose, care is to be taken during installation not to damage the flow controller when fitting the hand shower.
- This shower is suitable for High Pressure applications. This shower may not be suitable for use with Gravity-fed water heaters, low and unequal pressure supply networks.

## Fit Off:

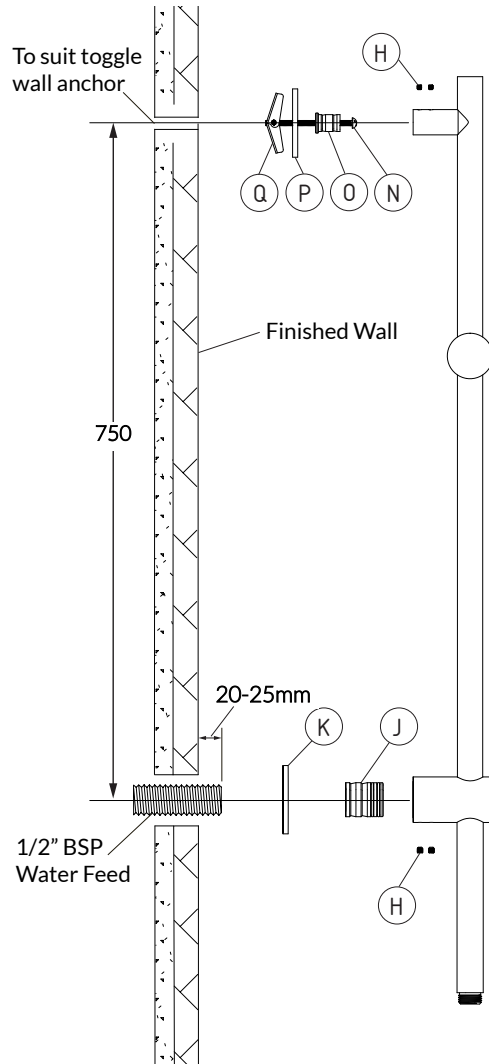
- Flush water lines prior to fitting the shower.
- Apply thread tape or appropriate sealant to 1/2" BSP Water Feed's thread.
- Place dress ring over water feed thread and fit the shower arm.
- Spin on shower head, use a spanner to tighten. Ensure the rubber washer is seated properly.
- To complete the installation, test shower flow and check for any leaks.

## Plumbers note:

- Shower is to be installed by a Licensed Plumber in accordance with AS/NZS 3500:2021
- Recommended working water pressure 300 - 500 Kpa. Maximum water temperature is 65°C
- After installation, ensure that shower functions correctly without leaks.
- Please ensure a copy of the Installation Instructions are left with the end user for future reference.

## Fit Off

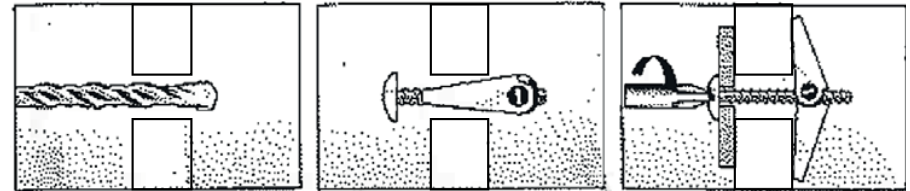
1. Accurately mark out and drill the position for the Wall Fixing (O) to be 750mm taken from centre of 1/2" BSP Water Feed.
2. Check if there is clear air space behind the wall, if there is use the supplied Toggle Anchor (Q & N) and secure the Wall Fixing (O) combined with the Dress Ring (P) to the wall. Detailed toggle anchor install guide below. Use wall plugs and 8-10g stainless self tapping screws if there are no clear air space behind the wall.
3. Apply thread tape or appropriate sealant to 1/2" BSP Water Feed's thread.
4. Seal wall penetration around water feed thread. Place hand shower in cradle (D), rotate the shower till the cradle clicks into any of the 4 desired positions.



5. Carefully align and fit the rail assembly over Wall Fixing (O) and Inlet Fitting (J) at the same time.
6. Secure rail assembly using the Set Screws (H) (ensure all set screws are appropriately tightened).
7. Attach the Shower Hose (E) to the Lower Body (G).
8. Place hand shower in cradle (D), rotate the shower till the cradle clicks into any of the 4 desired positions.

## Spring toggle wall Anchor Guide:

1. Drill a 14mm diameter hole through the Finished Wall to which the Spring Toggle is being fastened to.
2. Pass the Toggle Screw (N) through the Wall Fixing (O) combined with the Dress Ring (P) into Toggle Wings (Q) for a few turns. Compress the toggle wings and insert the anchor into the hole. The wings will spread behind the cavity wall.
3. Pull back on the Toggle Screw (N) to hold the Toggle Wings in place against the reverse side of cavity wall and tighten screw with a screwdriver.



## Slider Height and Handle Adjustment

To adjust height of the shower slider, loosen the Handle (M) by turning it anti-clockwise, move the shower slider to the desired height, then tighten the handle.  
If the Handle (M) pin does not end up in the upright position after tightening, loosen the Set Screw (R), pull Handle (M) outwards, re-engage the spline at the upright position. Tighten the Set Screw (R) to lock in the handle position.

