

mizu

Mizu Drift Wastes

Chrome



Universal 40mm Pop Up
Plug & Waste 2263197



Universal 40mm Flat Pop Up
Plug & Waste 2263198



Universal 40mm Dome Pop Up
Plug & Waste 2263199



Mizu Dome Continual Flow
Plug & Waste 9501898

Matte Black



Universal 40mm Pop Up
Plug & Waste 2299560



Universal 40mm Flat Pop Up
Plug & Waste 2299559



Universal 40mm Dome Pop Up
Plug & Waste 2299561

Brushed Nickel



Universal 40mm Pop Up
Plug & Waste 2263852



Universal 40mm Flat Pop Up
Plug & Waste 2263854



Universal 40mm Dome Pop Up
Plug & Waste 2263856

Brushed Gold



Universal 40mm Pop Up
Plug & Waste 2263853



Universal 40mm Flat Pop Up
Plug & Waste 2263855



Universal 40mm Dome Pop Up
Plug & Waste 2263857

Gloss White



Universal 40mm Pop Up
Plug & Waste 2299624



Universal 40mm Dome Pop Up
Plug & Waste 2299625



Universal 40mm Flat Pop Up
Plug & Waste 2299626

SPECIFICATIONS

Recommended Use Domestic, hotel and commercial

Colour Availability Chrome
Matte Black
Brushed Nickel
Brushed Gold
Gloss White

Standards ATS 5200.040

WARRANTY

Warranty - Domestic Use 12 Months replacement

Please refer to Warranty Page for full Terms and Conditions

Disclaimer: Products in this specification manual must by regulation be installed by licensed and registered trade people. The manufacturer/distributor reserves the right to vary specifications or delete models from their range without prior notification. Dimensions are nominal measurements only. Dimensions and set-outs listed are correct at time of publication however the manufacturer/distributor takes no responsibility for printing errors.

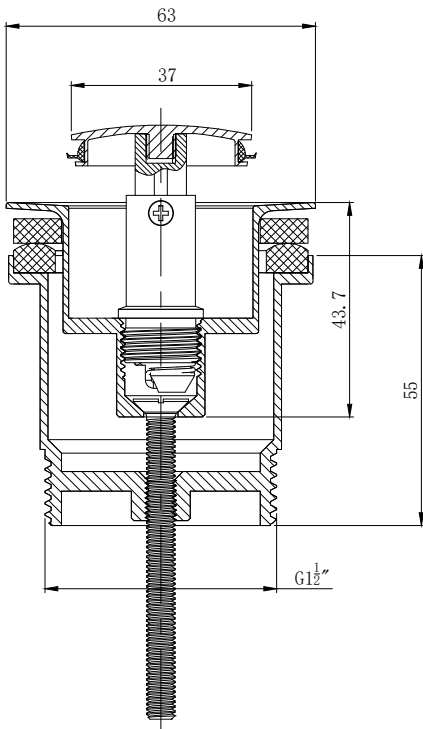
Published 04/03/2020

Dimensions are nominal measurements only.

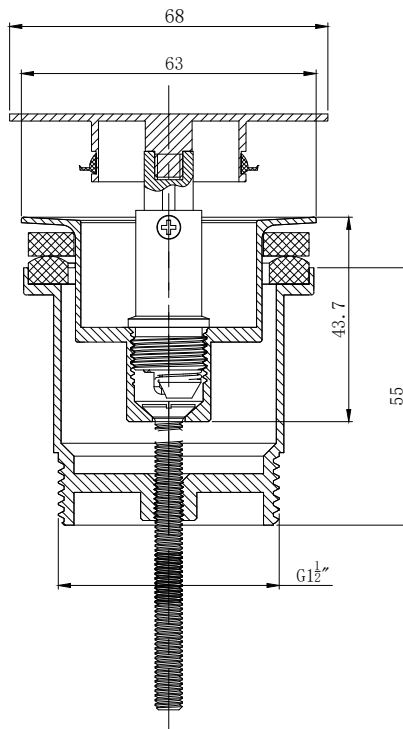


mizu

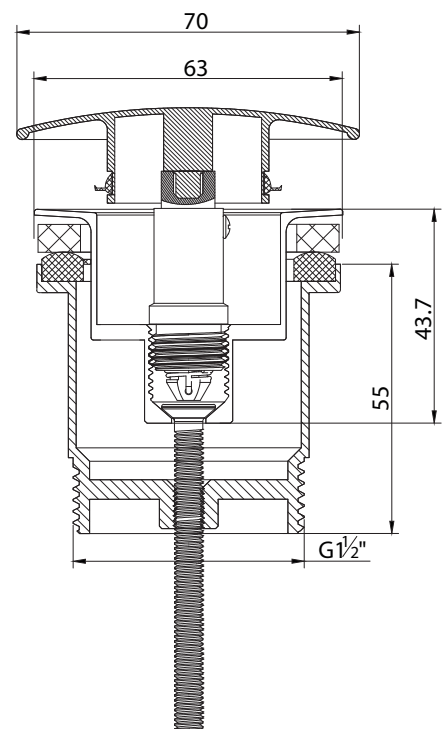
Mizu Drift Wastes



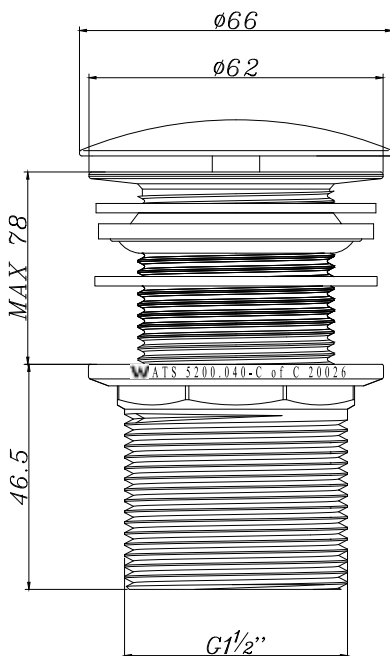
Universal 40mm Pop Up Plug & Waste



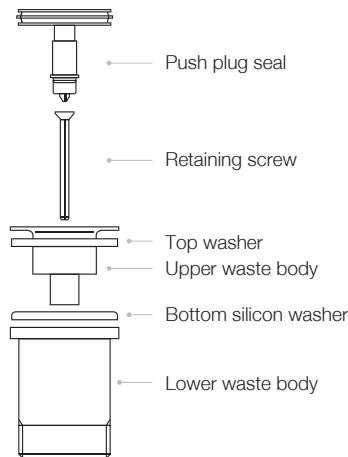
Universal 40mm Flat Pop Up Plug & Waste



Universal 40mm Dome Pop Up Plug & Waste



Mizu Dome Continual Flow Plug & Waste



Assembly instructions

1. Disassemble components and locate the upper waste body, fitted with top washer, into the basin outlet
2. Introduce lower waste body fitting with silicon washer to basin underside and align components with retaining screw
3. Tighten waste assembly and fit push plug seal
4. Check operation of push plug seal and ensure waste is fully sealed into basin top and bottom

Dimensions are nominal measurements only.

Disclaimer: Products in this specification manual must by regulation be installed by licensed and registered trade people. The manufacturer/distributor reserves the right to vary specifications or delete models from their range without prior notification. Dimensions are nominal measurements only. Dimensions and set-outs listed are correct at time of publication however the manufacturer/distributor takes no responsibility for printing errors.

Published 04/03/2020