

ARDENT™

Copper Coated Flange

Solder Flange Adaptor

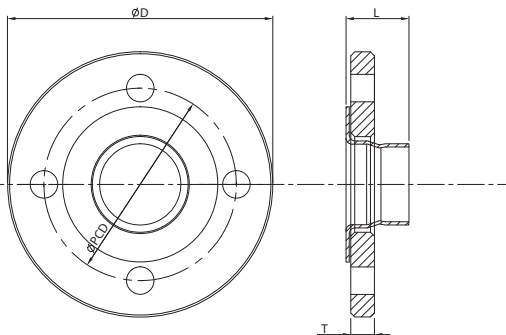
Key Features

The Ardent Copper Coated steel flange utilises the latest in copper coating technology to provide a flange with superior corrosion resistance:

- Copper Coating suitable for all UV applications
- No insulator required - Copper to copper contact
- Suitable for Water, Gas and all other HP Copper applications
- Watermark Lic1344 to AS3688
- Working Temperature of -10 to 110 Celsius Table E
- Working Temperature of -10 to 95 Celsius Table D
- Patent Pending - Design Registration No.342529



Reece Code	Flange	Size (DN)	Bolt Size	Bolt Holes	PCD (mm)	D (mm)	L (mm)	T (mm)
9504335	Table E	32	M12	4	86	120	36	13
9504336	Table E	40	M12	4	98	135	32	12
9504337	Table E	50	M16	4	114	150	34	12
9504338	Table E	65	M16	4	127	165	35	12
9504339	Table E	80	M16	4	146	185	37	12
9504340	Table E	100	M16	8	178	215	39	13
9504341	Table E	125	M16	8	210	255	45	14
9504342	Table E	150	M20	8	235	280	49	17
9504346	Table D	100	M16	4	178	215	39	12
9504348	Table D U/Ground	100	M16	4	178	215	39	24
9504347	Table D	150	M16	8	235	280	49	13



Reece. Works for you.™

Call **1800 032 566** or visit www.reece.com.au for your nearest Reece store.

The information provided in this brochure is provided as a guide only. Reece Pty Ltd does not warrant or accept liability in relation to the accuracy of this information. Individual users should make their own assessment of the information provided. Reece Pty Ltd reserves the right to change specifications, designs and availability without prior notice. Due to limitations in the printing process the colours in this brochure are a guide only. Reece Pty Ltd accepts no responsibility for possible errors or omissions. The use of the information in this brochure is subject to the terms and conditions which are located on the Reece website being www.reece.com.au

ARDENT™

reece™