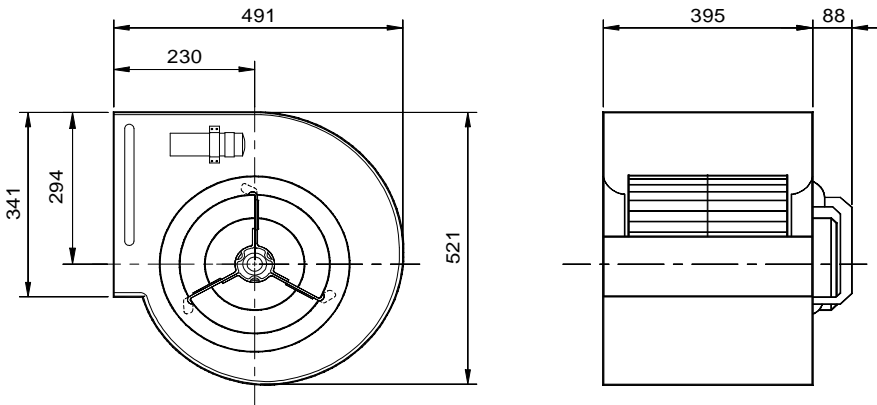
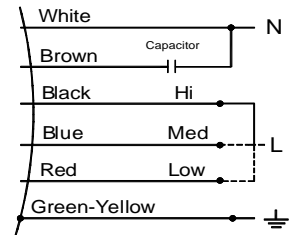


# KDD 12/12 709W 6P-1 3SY

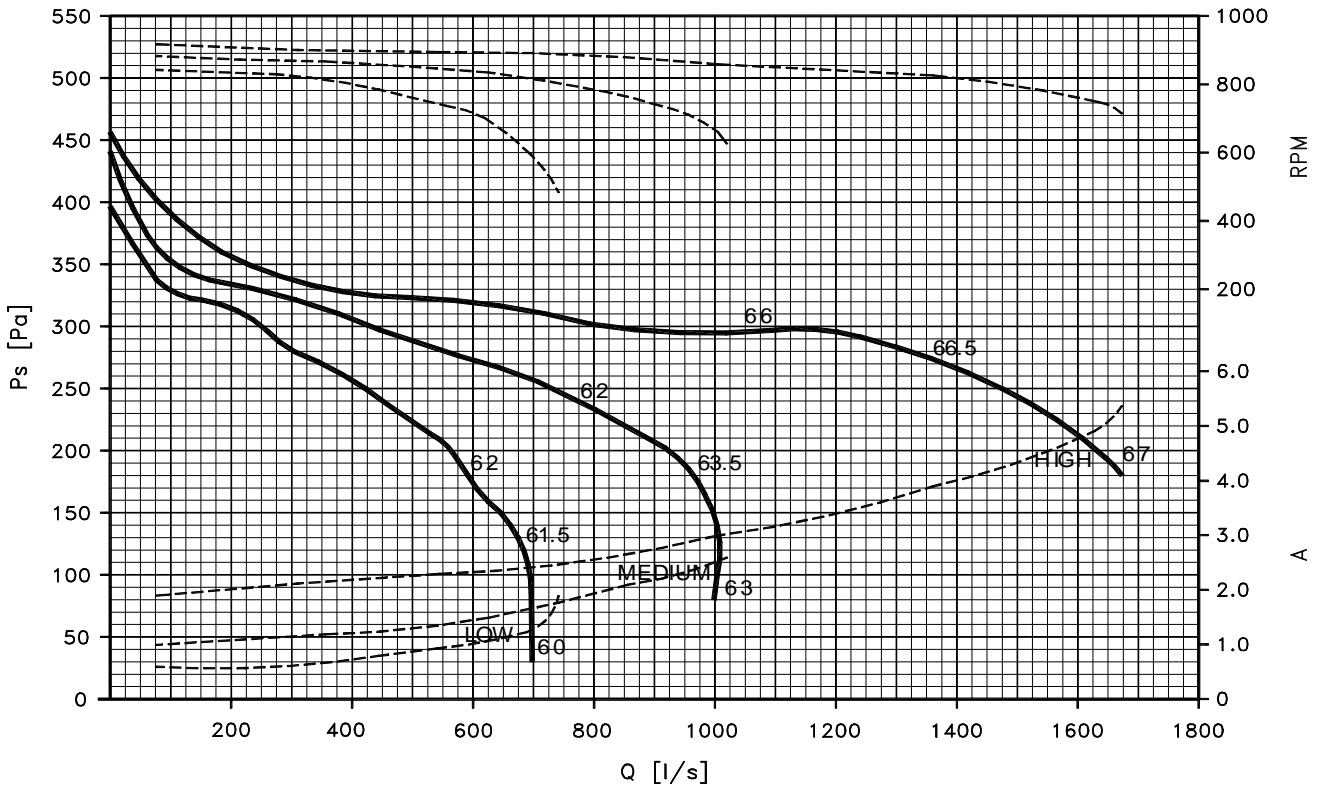


VOLT	220 - 240	Ph	1	SL.	KD12004.1
WATT	709	Hz	50	Part no.	CE-AD0K773.00
RPM	900/715/510	Cl.	F	uF/V	12.5/450
POLE	6	Temp.	min - 20°C	N. Amp	4.62
IP	21		max +40°C	M. Amp	6.0
				Date	11/5/01
				Weight	25 kg

## Wiring diagram



All Dimension in mm



\* Sound Lp(A) at 1 m.