

UNILIFT AP 35 & 50



HEAVY DUTY, SUBMERSIBLE STAINLESS STEEL GREY WATER PUMP

WATER SOURCE



Storm/
Grey Water

APPLICATION



Storm/Grey
Water Handling



UNILIFT AP 35
SCAN THE QR CODE
TO LINK TO GRUNDFOS
PRODUCT CENTER



UNILIFT AP 50
SCAN THE QR CODE
TO LINK TO GRUNDFOS
PRODUCT CENTER

The Grundfos UNILIFT AP 35 and AP 50 are heavy duty, submersible pumps constructed from stainless steel, making them ideal for handling dirty stormwater runoff, domestic wastewater from bathroom basins or showers and fibrous laundry wastewater.

- **Highly corrosion resistant** - Constructed of high quality industrial grade components. All parts in contact with the pumped liquid are made from 304 stainless steel
- **Handles very dirty water with ease** - Can both easily pump large particles in storm water run off or material fibres in laundry grey water
- **Suitable for fully or partially submerged use** - Come with an integrated motor cooling jacket, allowing the pump to operate for extended periods whilst only partly submerged
- **Float switch options** - Available with or without float switch to suit different installation configurations
- **Permanent or portable use** - The UNILIFT AP35 and 50 can be used in either a permanent installation or as a portable drainage pump
- **Easy submerged installation – plug & pump** - Connect the pump outlet to the pipework, plug into a power outlet and you're ready to pump.



PUMP SIZING

	UNILIFT AP 35 40.06	UNILIFT AP 35 40.08	UNILIFT AP 50 50.08	UNILIFT AP 50 50.11
	40 mm pipework 2.0 l/sec flow rate	50 mm pipework 2.5 l/sec flow rate	50 mm pipework 3.0 l/sec flow rate	65 mm pipework 4.0 l/sec flow rate
Vertical Height	Maximum Horizontal Pipe Length			
7 m		44 m		28 m
6 m	15 m	91 m	16 m	88 m
5 m	38 m	138 m	50 m	147 m
4 m	62 m	185 m	85 m	206 m
3 m	86 m	233 m	119 m	265 m
2 m	110 m	280 m	153 m	324 m
1 m	134 m	327 m	187 m	384 m

MAXIMUM PARTICLE SIZE

UNILIFT CC / KP	UNILIFT AP 12	UNILIFT AP 35 & AP 35B	UNILIFT AP50 & AP50B
10 mm	12 mm	35 mm	50 mm

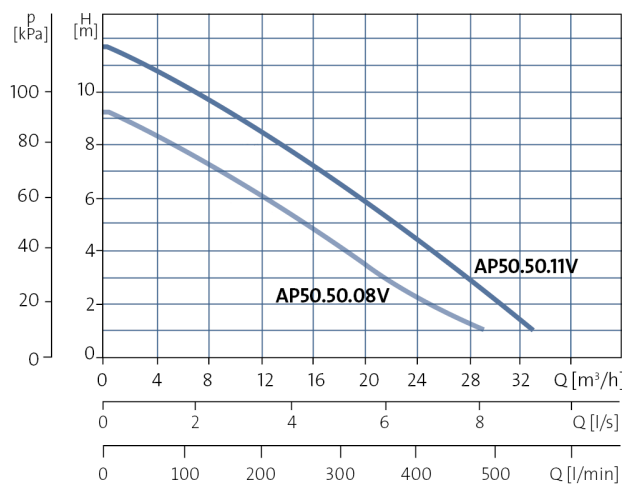
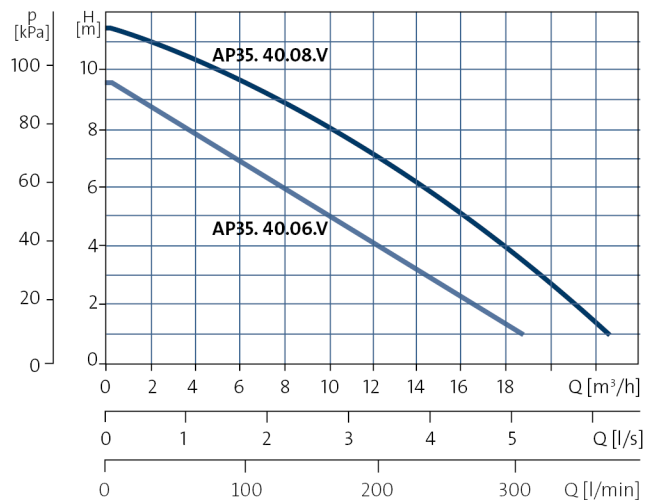
PROTECTION & CONTROL

	UNILIFT AP 35	UNILIFT AP 50
Auto Start/Stop by Float Switch	✓	✓
Non-Return Valve	✓	✓
Motor Cooling Jacket	✓	✓
Automatic Restart	✓	✓

Flow based on at least 1 m/sec velocity

TECHNICAL & PERFORMANCE DATA

PERFORMANCE CURVE



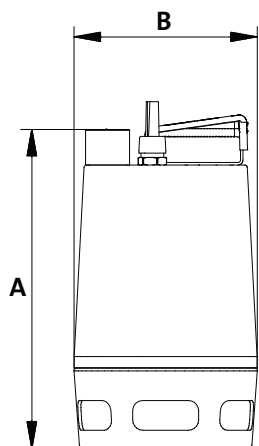
OPERATING CONDITIONS

Liquid Temperature	0°C to +55°C
Max. Particle Size	AP 35 (35 mm) AP 50 (50 mm)
Max. Installation Depth	7 m
Minimum Pumping Level	Down to 100 mm
pH value of pumped liquid	4 to 10

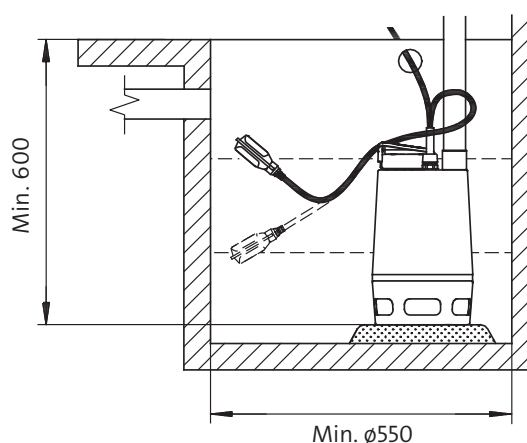
TECHNICAL DATA

Power Supply Voltage	220-240 Volt, 50 Hz
Power Supply Cable	10 m with plug
Enclosure Class	Suitable for submerged installation (IP68)
Approvals and Markings	C-Tick Compliance
Impeller Type	Vortex

PHYSICAL ATTRIBUTES



MINIMUM PIT DIMENSIONS UNILIFT AP35 & AP50



Model	Motor Power P2 (kW)	Connection Outlet	Dimensions (mm)		Weight (kg)
			A (h)	B (w)	
UNILIFT AP 35.40.06	0.60	1½" Female	376	216	11
UNILIFT AP 35.40.08	0.70	1½" Female	410	216	13
UNILIFT AP 50.50.08	0.80	2" Female	436	241	15
UNILIFT AP 50.50.11	1.10	2" Female	436	241	15