



 **CAROMA**
VOGUE

FORMA

BATHROOM COLLECTION





Inspired by the emerging fashion of modern Australia, our Caroma Vogue Collection represents the best of Caroma's leadership in bathroom design and is sure to make a statement in any home.

Creating your own home has always been part of the Australian dream; the opportunity to design a unique space that both complements and elevates your individual style. The Caroma Vogue Collection will provide you the freedom to create your dream bathroom; one that enables an experience of personal luxury through customising key design elements.

The collection proudly represents fashionable Australian styles, made from the highest quality materials and incorporates the latest in sustainable innovations.

“With its refined design and practicality the Forma collection delivers a contemporary and stylish look that creates the perfect platform for any bathroom renovation. Incorporating patented Caroma Cleanflush® technology, the Forma toilet range delivers increased hygiene and superior flush performance.”



A handwritten signature in black ink that reads 'LDM'.

- Luke Di Michiel,
Caroma Industrial Designer



FORMA

The Australian designed Forma basins and toilet suites distinctly encapsulate contemporary style with its communion of curvature and defined lines.

For over 75 years, we have seen and experienced changes in technology, the community and in our everyday way of life. What hasn't changed is Caroma's pioneering spirit and its drive to meet these changes and exceed our consumers' expectations.





Toilet suites

Featuring the latest Cleanflush® rimless technology, the Forma toilet suites have been engineered to combine style with uncompromising flush performance.

- Designed and engineered in Australia
- Available in back to wall options, which include Caroma's patented Uni-Orbital® connector for ease of installation
- Invisi Series II® buttons sold separately. Available in a range of colours and finishes to suit your style
- WELS 4 star rated, 4.5/3L (3.5L avg/flush)
- 10 year warranty

INVISI BACK TO WALL TOILET SUITES (BEHIND THE WALL/CONCEALED)

The toilet pan sits on the floor and is connected to a cistern concealed inside the wall cavity, ceiling or under counter.

BACK TO WALL TOILET SUITE

The toilet pan sits flush to the wall with the cistern mounted directly on top.





Forma Cleanflush® Invisi Series II® Back to Wall Toilet Suite



Forma Cleanflush® Back to Wall Toilet Suite



Rimless bowl with innovative flush & flow technology



Unique drop-zone & bowl design minimises cleaning



Designed and tested with you in mind



Up to 50mm of sideways adjustment



Product Quality Guarantee

Caroma Cleanflush® enjoys a 10 year product replacement warranty - domestic use only
For full warranty details visit www.reece.com.au/warranties



Caroma Cleanflush

Caroma Cleanflush® is our most effective and hygienic toilet. Our patented design features revolutionary rimless technology that delivers the next generation of toilets: easy to clean and water efficient with superior hygiene.

- Caroma Cleanflush® technology for the ultimate flushing performance and a more hygienic whole bowl clean
- Larger water surface area for improved cleansing performance
- Easy clean soft close quick release seat
- Forma Back to Wall Suites are supplied with Caroma's patented Uni-Orbital® Connector, ensuring unparalleled fit out flexibility, saving time and cost during installation
- WELS 4 star rated (4.5/3 litre) , superior performance with uncompromised water efficiencies



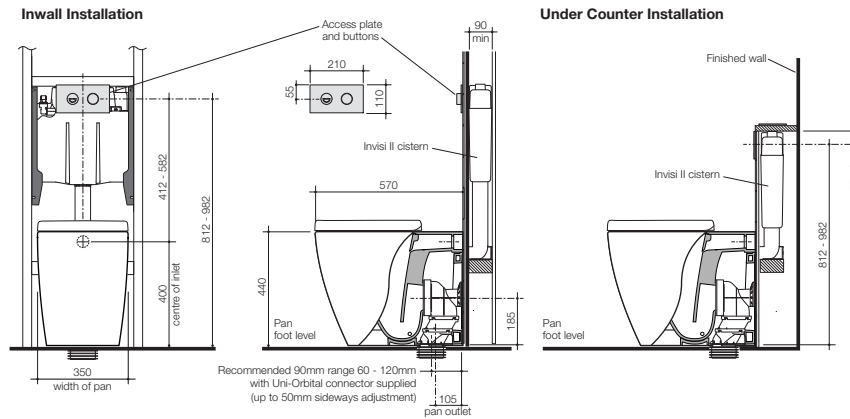
FLOW SPLITTER
Powerful flush for whole bowl clean



FLOW CHANNELS
Controlled water flow eliminates splash back



FLOW BALANCER
Precise flush stream effectively clears the bowl



Forma Cleanflush® Invisi Series II® Back to Wall Toilet Suite

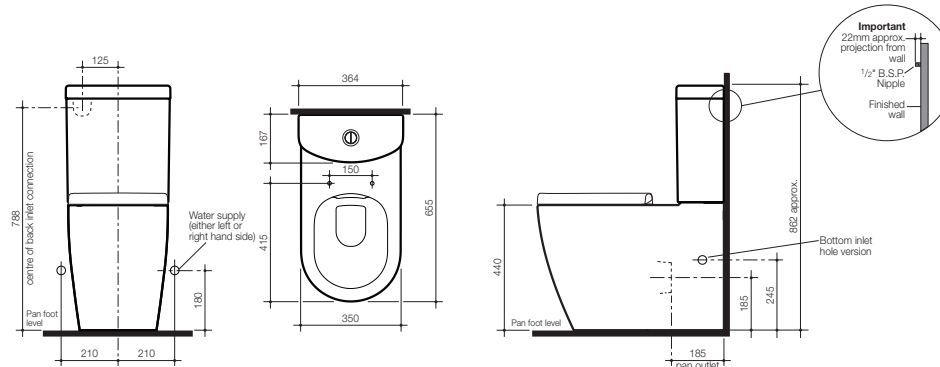
WELS 4 star rated, 4.5/3L (3.5L avg/flush)

Soft Close Quick Release Seat
ID, IC, IW, UC* 9506686

ID = Induct IC = Inceiling IW= Inwall UC = Under Counter

440mm high (pan height) x 350mm wide x 570mm projection

S Trap 60-120mm set out (90mm recommended)
Up to 50mm of sideways adjustment with Uni-Orbital® Connector
P Trap 185mm



All dimensions are in millimetres and are subject to normal manufacturing variations. Caroma pursues a policy of continuing improvement in design and performance of its products. The right is therefore reserved to vary specifications without notice.

Forma Cleanflush® Back to Wall Toilet Suite

WELS 4 star rated, 4.5/3L (3.5L avg/flush)

Soft Close Quick Release Seat
Back Entry 9506685
Bottom Inlet 9506684

862mm high (to top of cistern) x 364mm wide x 655mm projection

S Trap 60-200mm set out (140mm recommended)
Up to 50mm of sideways adjustment with Uni-Orbital® Connector
P Trap 185mm

Basins

Bestowing enduring character, the Forma basins match perfectly with the Forma Cleanflush® toilet range.

Available in three thin rim variations each with a number of tap hole options, matching a Forma basin to suit your bathroom configuration and personal style has never been easier.

- Designed and engineered in Australia
- Crafted from high quality vitreous china that has great durability, sanitary and stain resistant properties
- Available in semi recessed, inset and wall basin styles
- Includes flush fitting white plug and chrome waste. Slotted overflow
- 10 year warranty

INSET BASINS

Inset basins are partially set into a vanity reducing the appearance of the basin rim without reducing the depth of the bowl.

SEMI RECESSED BASINS

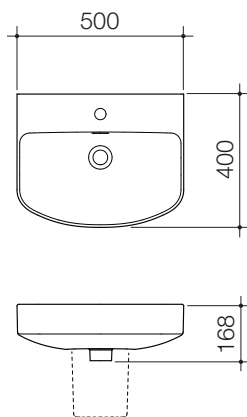
Semi recessed basins partially overhang the vanity allowing you to maximise your basin size on applications with limited vanity space.

WALL BASINS (OR WALL MOUNTED)

Wall basins are installed directly to the wall with no need for an additional vanity.

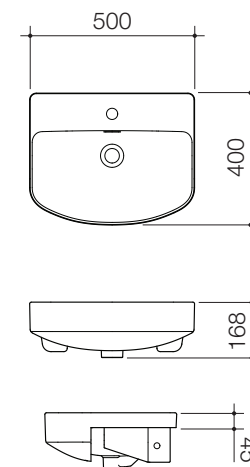


SEMI RECESSED BASIN



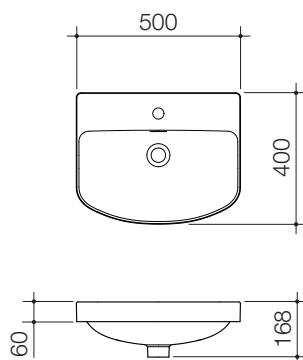
Forma Wall Basin

- 0 taphole 9507996
- 1 taphole 9507997**
- 3 taphole 9507998



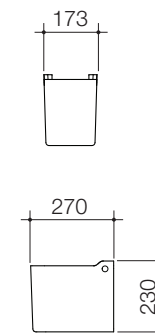
Forma Semi Recessed Basin

- 0 taphole 9507993
- 1 taphole 9507994
- 3 taphole 9507995**



Forma Inset Basin

- 0 taphole 9507999
- 1 taphole 9508000
- 3 taphole 9508001



Forma Shroud

Suits Forma Wall Basin 9507992



With over 75 years of experience, we believe quality bathrooms are a balance of form, function and looks. Our designs and innovation bring to life a guiding vision of creating sustainable luxury. Design that enables you to enjoy bathroom experiences that both complement and elevate your lifestyle, from an energising morning start to an indulgent, relaxing moment of luxury, all underpinned by sustainability.

Designing for Australians and New Zealanders, from all walks of life, with different tastes and needs; we have a wide range of classic to artisanal styles, smart designs and sustainable innovations providing you with everything you need to create the *sanctuary of your dreams.*

www.caroma.com.au



Bathroom Happiness

Visit any one of our 300 showrooms around Australia for all the latest products, concepts and inspiration to make your bathroom whatever you want it to be. And for the ultimate bathroom experience, go to one of our bathroom life™ stores where you will find the biggest range of leading Australian and international brands.

Call 1800 032 566 or visit www.reece.com.au for your nearest bathroom showroom.

Due to limitations in the printing process the colours in this brochure are a guide only. The manufacturer/distributor reserves the right to vary specifications or delete models from their range without prior notification. The manufacturer/distributor takes no responsibility for printing errors. Caroma Cleanflush® enjoys a 10 year product replacement warranty - domestic use only. For full warranty details visit www.reece.com.au/warranties

