

Studio Close Coupled Toilet Suite Square Tank (4 star)

SPECIFICATIONS

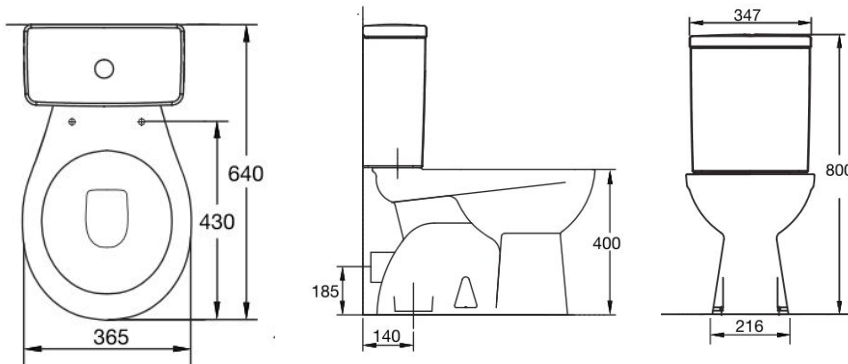
Recommended Use	Domestic, Hotel & Commercial
Material	Pan: Vitreous China Cistern: Vitreous China Seat: Polypropylene
Colour	White
Weight	S trap pan: 19kg P trap pan: 18kg Cistern: 12kg
Water Inlet Position	Bottom inlet right hand side only
Inlet Valve	Recommended maximum working pressure 500kpa
Bowl configuration	S trap or P trap
Rim configuration	Open rim
Seat	Soft close quick release seat
Cistern fixing	Bolted directly to pan
Pan fixing	Screwed to the floor using brackets (supplied) and bedded with silicone



WARRANTY

Spare Parts & Labour 12 Months

Please refer to Warranty Page for full Terms and Conditions



Dimensions are nominal measurements only.

Disclaimer: Products in this specification manual must by regulation be installed by licensed and registered trade people. The manufacturer/distributor reserves the right to vary specifications or delete models from their range without prior notification. Dimensions are nominal measurements only. Dimensions and set-outs listed are correct at time of publication however the manufacturer/distributor takes no responsibility for printing errors.

Published 22/12/2020

