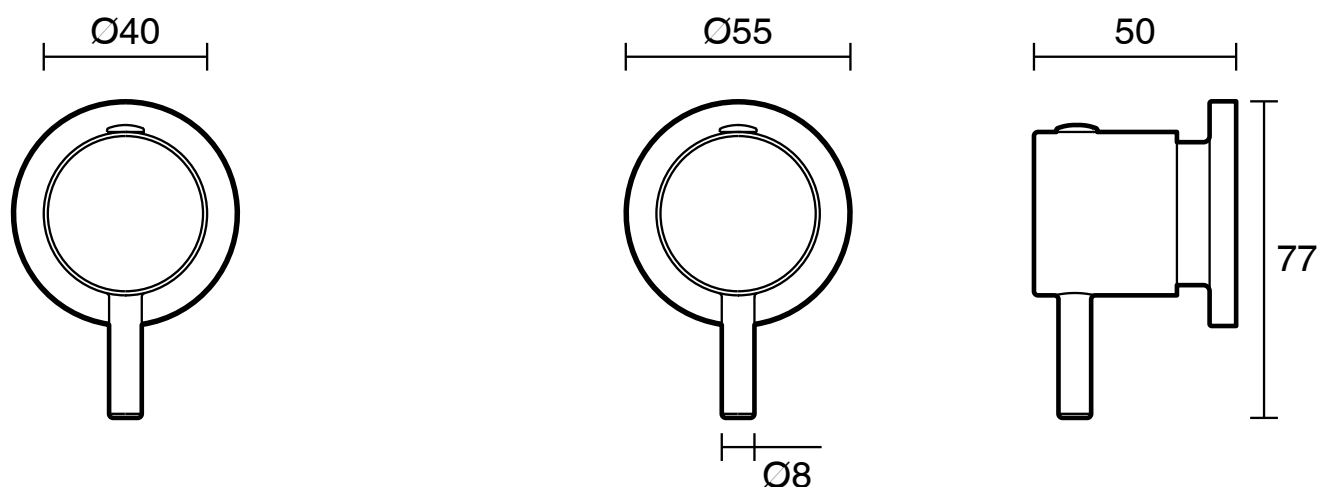


MIZU

DRIFT WALL/BASIN TOP ASSEMBLIES



SPECIFICATIONS

Recommended use	Domestic, hotel and commercial.
Colour	Chrome
Pressure Rating	<p>Maximum continuous operating pressure 1000kPa.</p> <p>Note: As per AS/NZS3500 pressure must be limited to 500kPa on any new home, extension or renovation.</p> <p>Note: For best performance and longer life we recommend an operating pressure between 150-500 kPa</p> <p>Hot and cold water inlet pressure should be equal.</p>
Temperature Rating	Maximum continuous working temperature 65°
Suitable Hot Water Units	<p>Storage Tank: Yes</p> <p>Continuous Flow: Yes</p> <p>Gravity Feed: Yes</p>
Standards	AS/NZS 3718



To see the complete Mizu range go to www.reece.com.au/bathrooms

CLEANING RECOMMENDATIONS

We recommend the use of soapy water or approved cleaners.

This product should not be cleaned with abrasive materials.

Damage caused by any improper treatment is not covered by the product warranty - refer to Warranty Conditions.

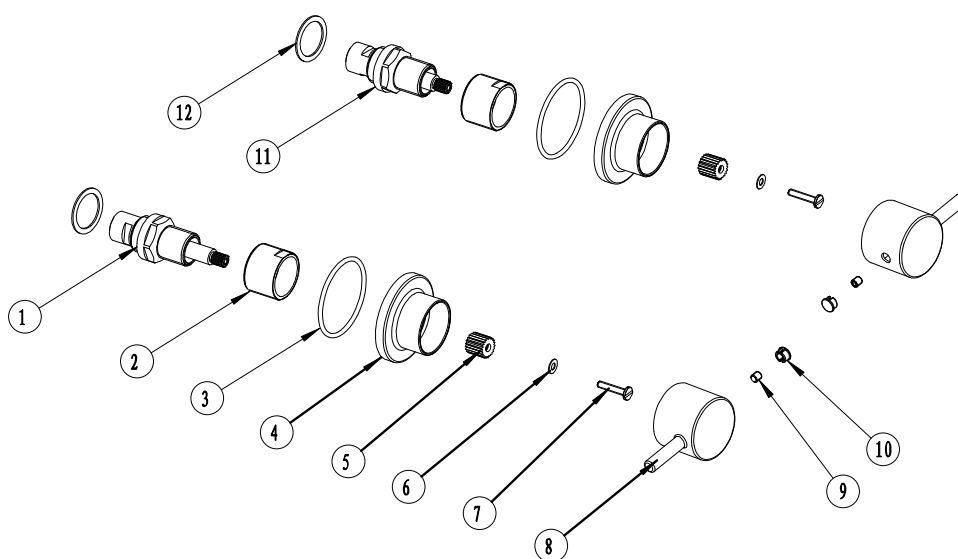
MIZU

DRIFT WALL/BASIN TOP ASSEMBLIES

INSTALLATION

1. Check the breach is between 3-21mm from the finished wall, as shown in the diagram above.
2. Check seats in recess tap bodies are in good condition and free of foreign materials. Reseal if required.
3. Separate locknut and fibre washer from cartridge (1).
4. Grip the cartridge (1) on the hexagonal flats and install cartridge fully into breach until it comes to a firm stop. Do not tighten cartridge into position by rotating spindle.
5. Turn spindle to off position and turn on water at mains. Check that cartridge has fully seated. If dripping occurs then gentle tighten cartridge further until dripping stops.
6. Firmly tighten cartridge locknut and fibre washer into position
7. Screw bush connector (2) onto cartridge locknut.
8. Place wall flange (4) and o-ring (3) into position and screw chrome bush cover (4) onto brass bush (2) until it is tight against the wall.
9. Turn cartridge spindles to the fully OFF position and assemble handle.
10. Ensure that Handle pins are pointing out to sides when in the off position.
11. Fix the handle by tightening the grub screw (9) with allen key and then push plug (10) into position.

For basin top assemblies, follow installation steps 3-6, 9-11



Exploded View

Item Description

- | | |
|----|------------------|
| 1 | Cartridge (Hot) |
| 2 | Brass Bush |
| 3 | O-Ring |
| 4 | Bonnet |
| 5 | Spline |
| 6 | Washer |
| 7 | Screw |
| 8 | Handle |
| 9 | Grub Screw |
| 10 | Plug |
| 11 | Cartridge (Cold) |
| 12 | Fibre Washer |

Plumbers, please ensure a copy of the installation instructions is left with the end user for future reference