

mizu

Mizu Stream Shower Mixer

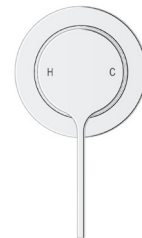
SPECIFICATIONS

Recommended Use	Domestic, Hotel & Commercial	
Colour Finishes	Chrome:	9507493
	Matte Black:	9507503
	Brushed Nickel:	9507513
Pressure Rating	Minimum Continuous Working Pressure: 150 kPa Maximum Continuous Working Pressure: 500 kPa	
Temperature Rating	Minimum Continuous Working Temperature: 1° C Maximum Continuous Working Temperature: 65° C	
Suitable Hot Water Units	Storage Tank:	Yes
	Continuous Flow:	Yes
	Gravity Feed:	No
Cartridge Type	Ceramic Disc	

WARRANTY

Warranty - Domestic Use	10 Years
Spare Parts	12 Months

Please refer to Warranty Page for full Terms and Conditions



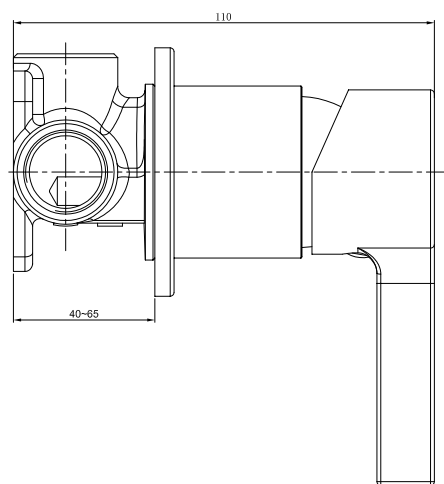
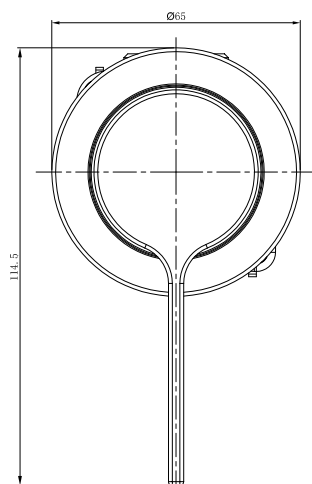
Chrome: 9507493



Matte Black: 9507503



Brushed Nickel: 9507513



CLEANING RECOMMENDATIONS:

We recommend the use of soapy water or approved cleaners.
This product should not be cleaned with abrasive materials.
Damage caused by any improper treatment is not covered by the product warranty.
Refer to Warranty document.

Dimensions are nominal measurements only.

Disclaimer: Products in this specification manual must by regulation be installed by licensed and registered trade people. The manufacturer/distributor reserves the right to vary specifications or delete models from their range without prior notification. Dimensions are nominal measurements only. Dimensions and set-outs listed are correct at time of publication however the manufacturer/distributor takes no responsibility for printing errors.

Published 13/08/2020

