



**Roca**

# ATLAS

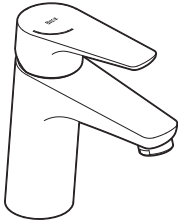


AS/NZS 3718  
WMKA 25255





**A5A3290C0A**



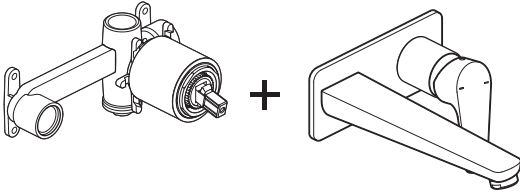
**WATER RATING**  
www.waterrating.gov.au

**6** litres per minute

In accordance with AS/NZS 6400  
Licence No. 0137  
Bathroom Products Australia

**A525220903**

**A5A3590C0A**

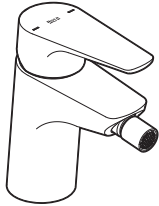


**WATER RATING**  
www.waterrating.gov.au

**7.5** litres per minute

In accordance with AS/NZS 6400  
Licence No. 0137  
Bathroom Products Australia

**A5A6290C0A**

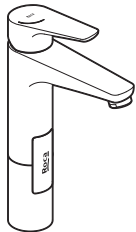


**WATER RATING**  
www.waterrating.gov.au

**4.5** litres per minute

In accordance with AS/NZS 6400  
Licence No. 0137  
Bathroom Products Australia

**A5A3790C0A**

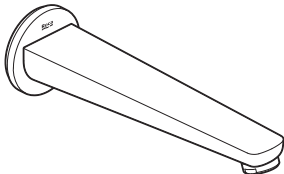


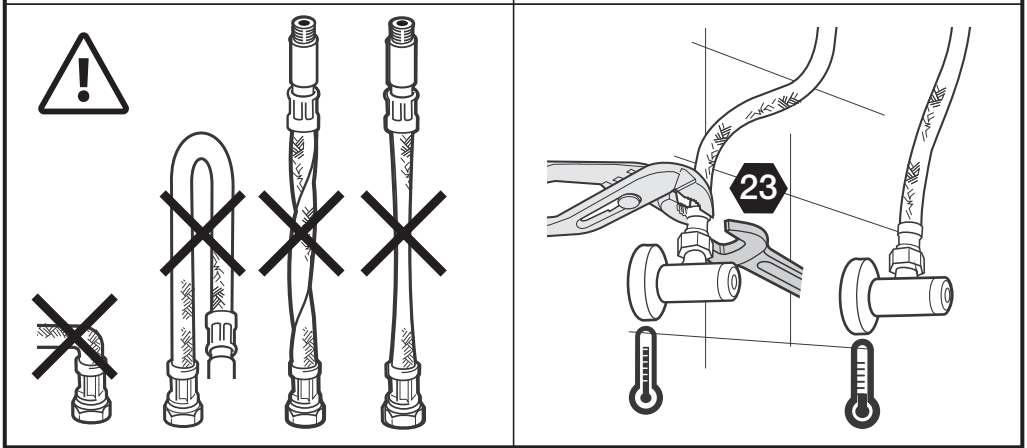
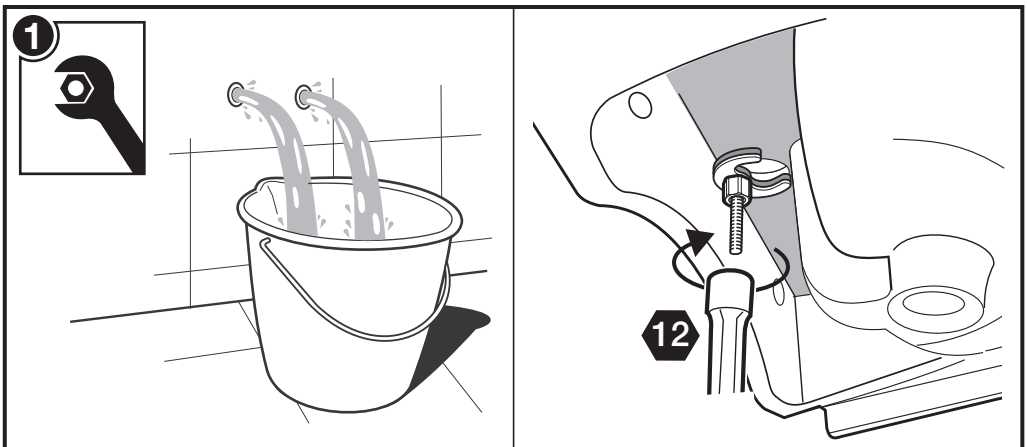
**WATER RATING**  
www.waterrating.gov.au














**6** litres per minute

In accordance with AS/NZS 6400  
Licence No. 0137  
Bathroom Products Australia

**A5A0903C0A**

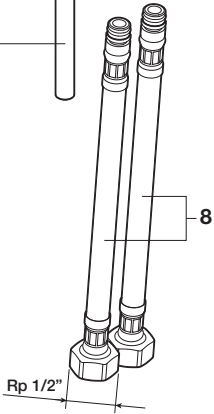
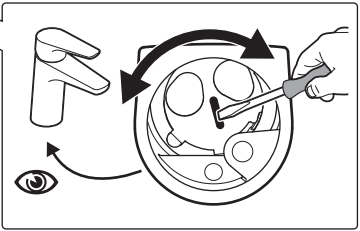
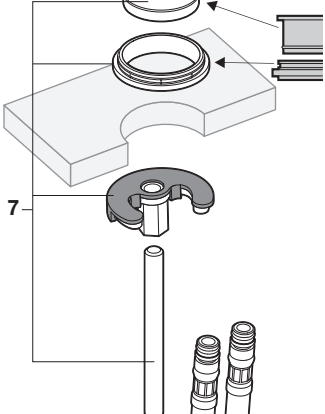
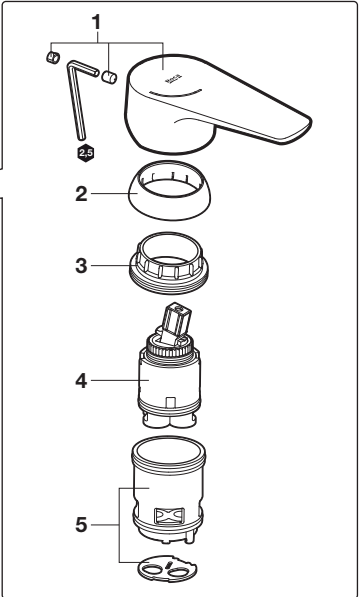




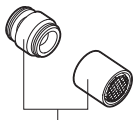
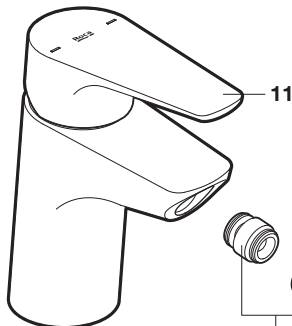
 <b>P</b> 	<b>P</b> kPa	 1000 MAX.	
 <b>P</b> 	<b>P</b> kPa	100 MIN.  500 MAX.	200  
  <b>T</b>	<b>°C</b>	 - 80 MAX.	 - 65 - 50 



A5A3290C0A



A5A6290C0A

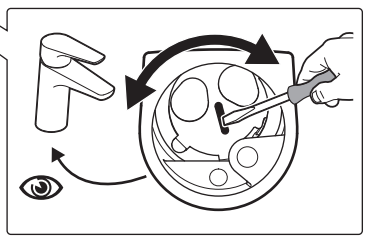
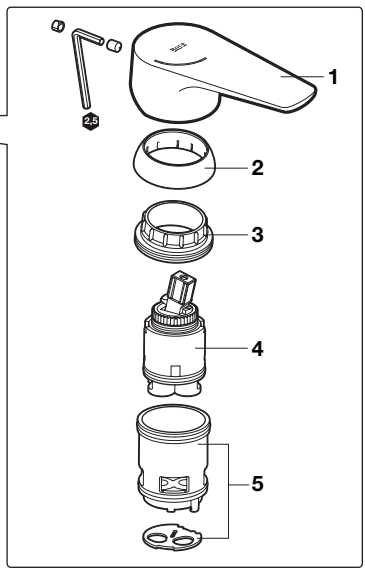
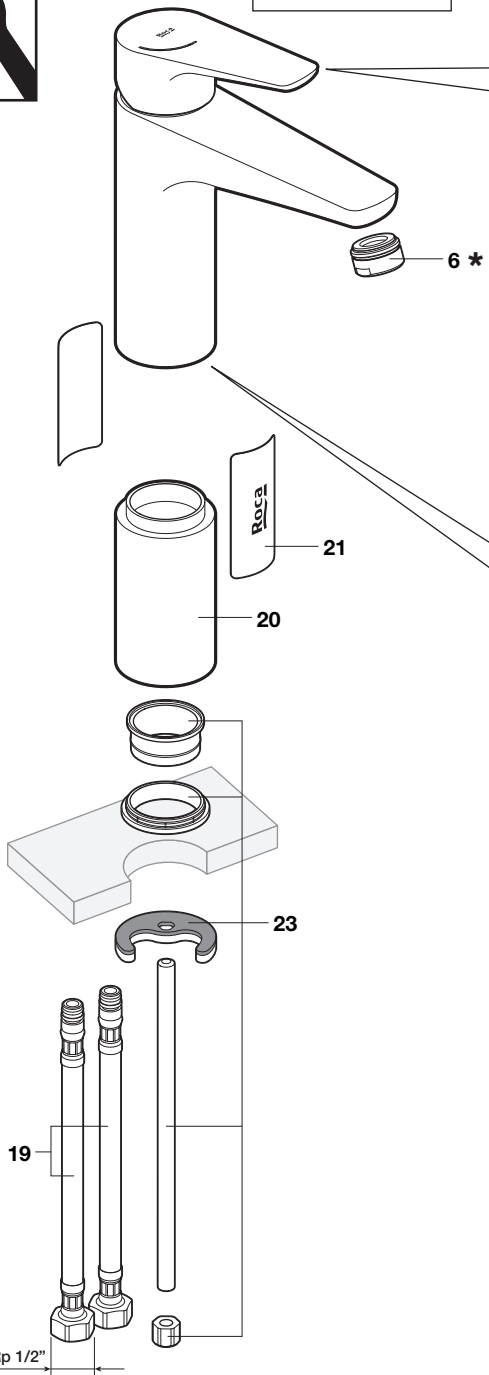


\*The aerator/flow controller is pre-fitted.

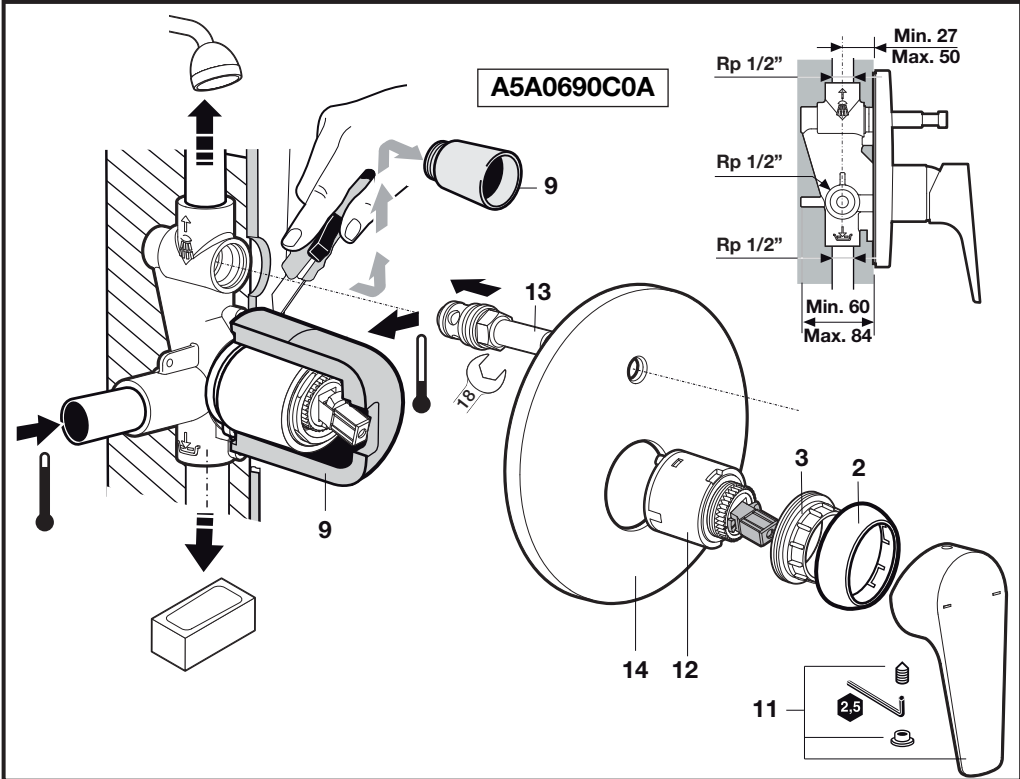
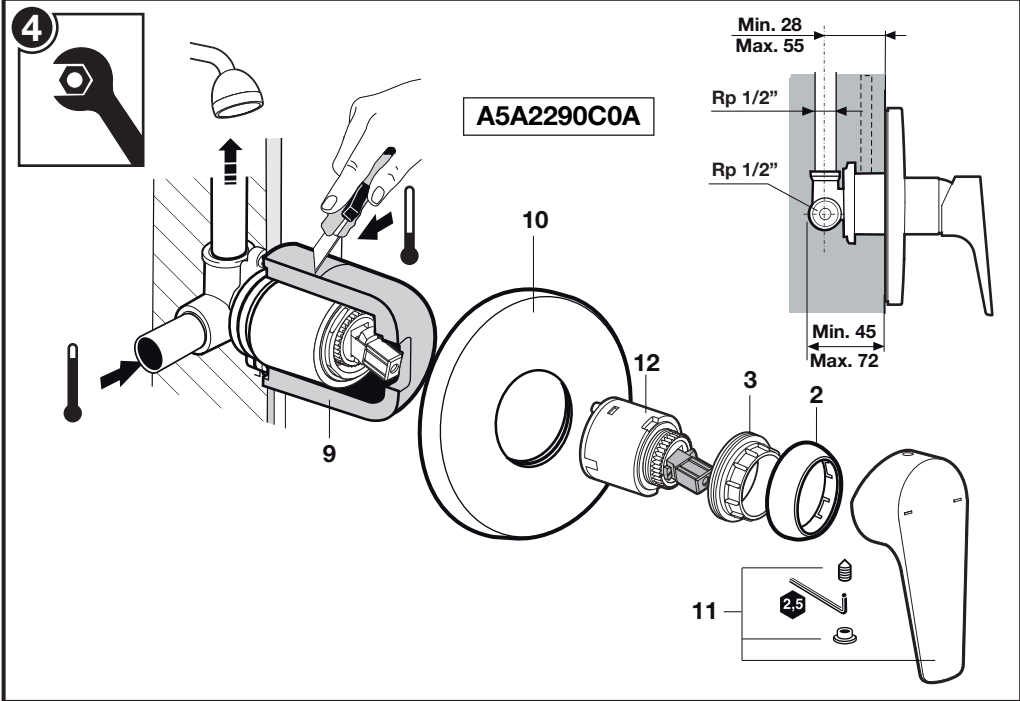
3



A5A3790C0A



\*The aerator/flow controller is pre-fitted.

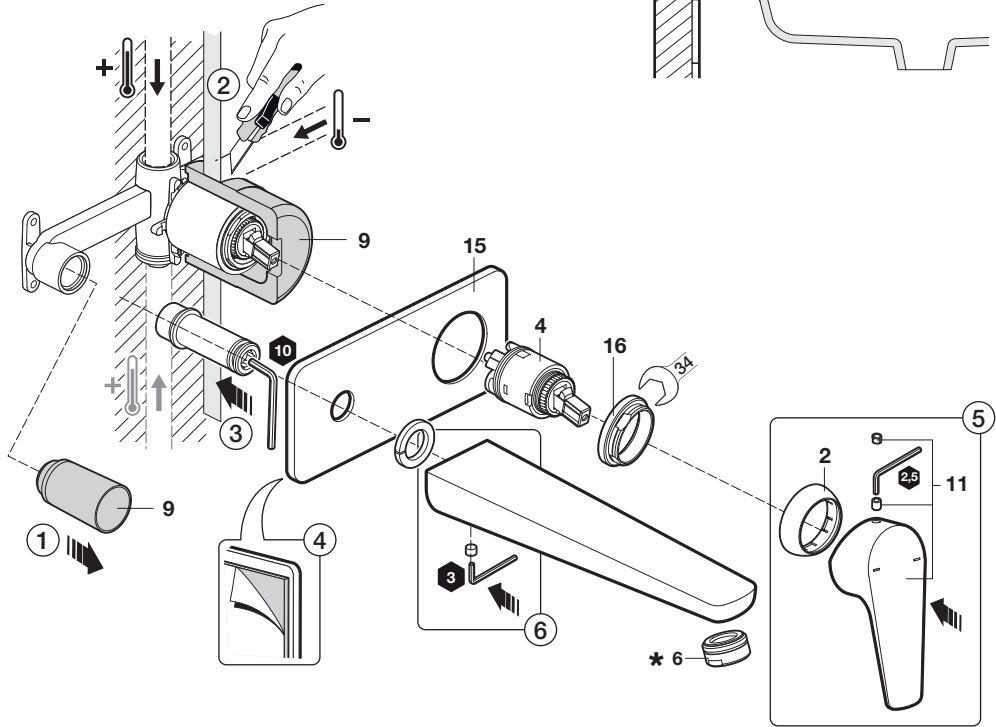
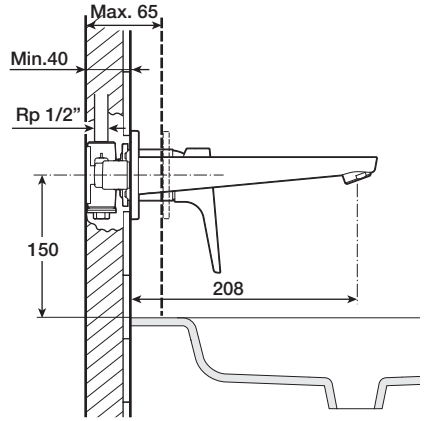




A525220903



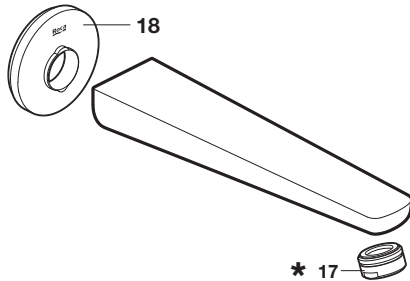
A5A3590C0A



5



A5A0903C0A

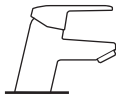
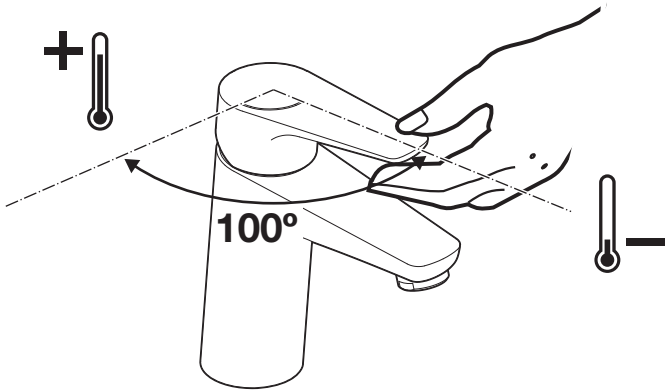


\*The aerator/flow controller is pre-fitted.

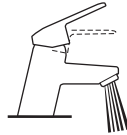
\* 17



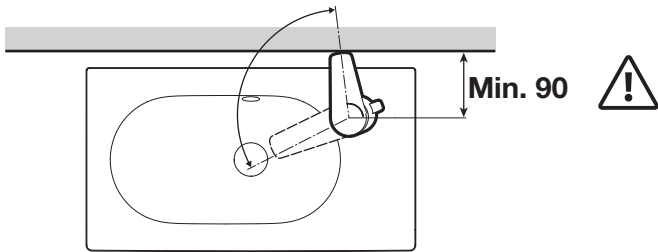
6



0%



100%



Min. 90



---

1 - AG0116100R

---

2 - AG0085300R

---

3 - A525023507

---

4 - AG0141207R

---

5 - AG0116200R

---

6 - AG0110900R

---

7 - A525004403

---

8 - AG0110109R

---

---

9 - AG0001907R

---

10 - AG0119500R

---

11 - AG0116309R

---

12 - AG0110607R

---

13 - AG0110700R

---

14 - AG0119600R

---

15 - AG0142300R

---

16 - AG0142100R

---

---

17 - A525004700

---

18 - AG0145700R

---

19 - A525728008

---

20 - AG0117400R

---

21 - AG0117207R

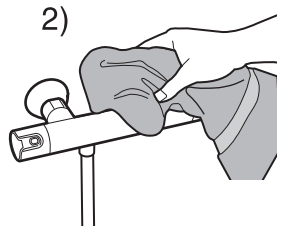
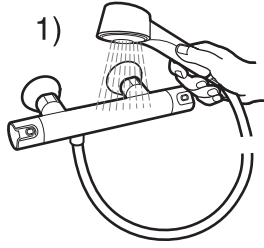
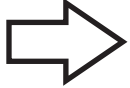
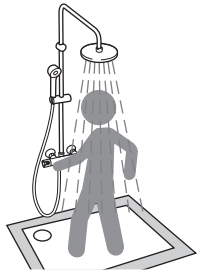
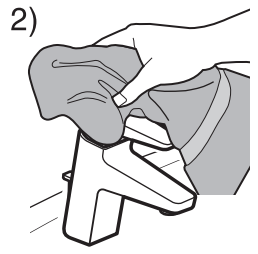
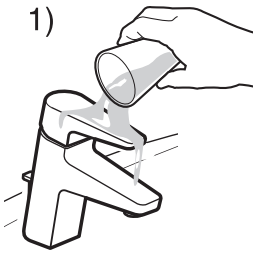
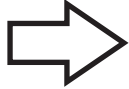
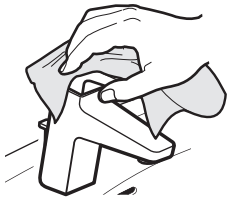
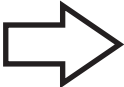
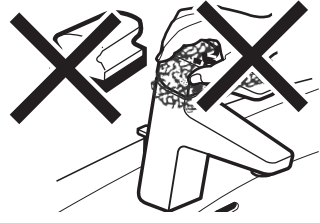
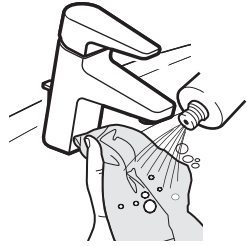
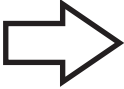
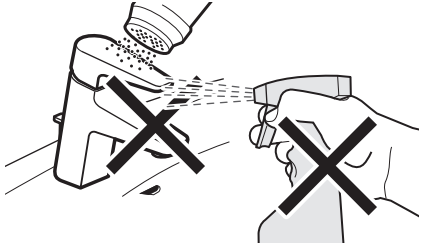
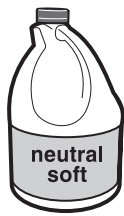
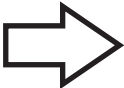
---

22 - AG0032300R

---

23 - A525030303

---





**Roca Sanitario, S.A.**

Avda. Diagonal, 513  
08029 Barcelona  
SPAIN

[www.roca.com.au/](http://www.roca.com.au/)



[productsupport.rs@roca.net](mailto:productsupport.rs@roca.net)  
[soporteproducto.rs@roca.net](mailto:soporteproducto.rs@roca.net)

A563090507e