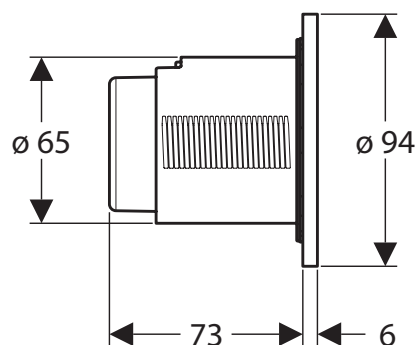
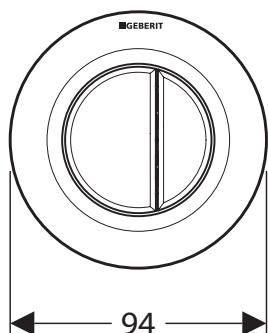


# ■ GEBERIT

## SIGMA ROUND REMOTE PNEUMATIC BUTTON



Dimensions are nominal measurements only.

Button can not be placed in front of the cistern.  
For Remote installation only. Separate access is required to service the cistern.

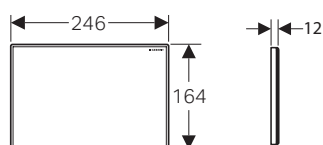
### SPECIFICATIONS

<b>Recommended use</b>	Domestic, hotel and commercial
<b>Material</b>	ABS
<b>Colour Availability</b>	White, Bright Chrome, Satin Chrome
<b>Application</b>	Dual-flush
<b>Compatibility</b>	Sigma8 Cistern
<b>Operation</b>	Pneumatic Remote
<b>Spare Parts</b>	Guarantee of availability for 25 years
<b>Options available</b>	Blank Service cover to fit Button in front of Cistern
<b>Technical Support</b>	1800 Geberit



D/F Sigma Round Remote – white 1811562  
D/F Sigma Round Remote – chrome 1811563  
D/F Sigma Round Remote – satin 1811564

To see the complete GEBERIT range go to  
[www.reece.com.au/bathrooms](http://www.reece.com.au/bathrooms)



Optional: Sigma Blank Service Cover plate (ABS)

Sigma Round Cover Plate – white 1872000  
Sigma Round Cover Plate – chrome 1872001  
Sigma Round Cover Plate – satin 1872002

### CLEANING INSTRUCTIONS

You have selected a Geberit product with a high-grade surface. Please follow the cleaning instructions so that your Geberit product will give you many years of pleasure.

Never use aggressive cleaners that contain chlorine, are acidic, abrasive or corrosive.  
Only use water and a mild cleaning agent.

1. Clean the unit with a soft cloth soaked in water.
2. Dry with a soft cloth.

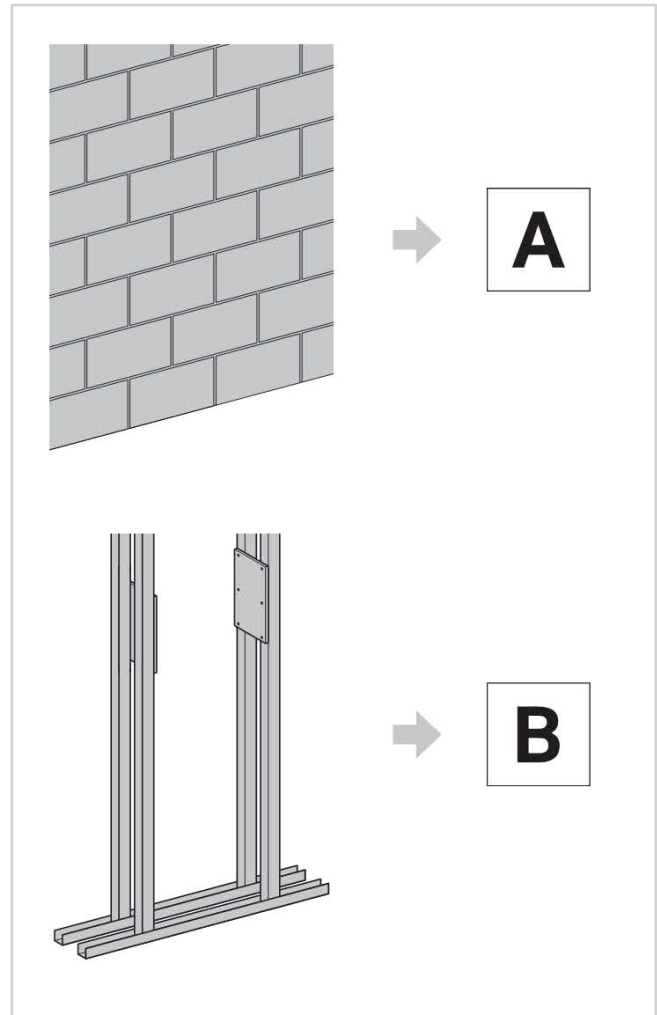
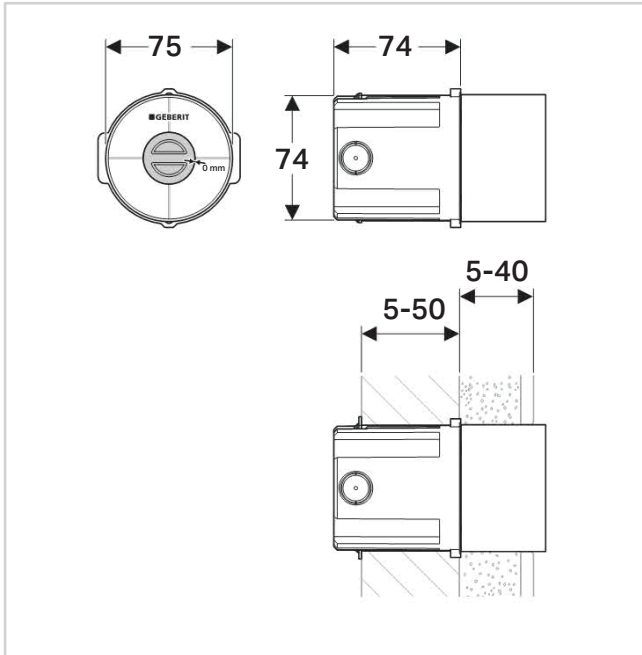
Damage caused by any improper treatment is not covered by the product warranty. Refer to warranty Conditions.

Disclaimer: Products in this specification manual must by regulation be installed by licensed and registered trade people. The manufacturer/distributor reserves the right to vary specifications or delete models from their range without prior notification. Dimensions are nominal measurements only. Dimensions and set-outs listed are correct at time of publication however the manufacturer/distributor takes no responsibility for printing errors.

Tech Page – Version 1

# ■ GEBERIT SIGMA ROUND PNEUMATIC BUTTON

## INSTALLATION INSTRUCTIONS



Plumbers, please ensure a copy of the installation instructions is left with the end user for future reference

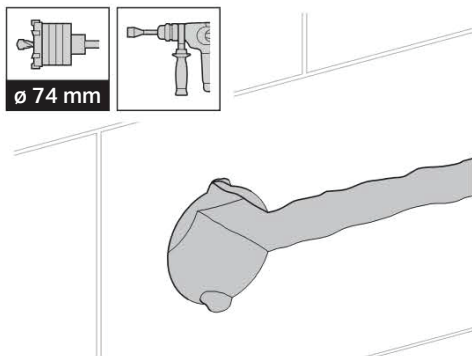
# ■ GEBERIT SIGMA ROUND PNEUMATIC BUTTON

## INSTALLATION INSTRUCTIONS

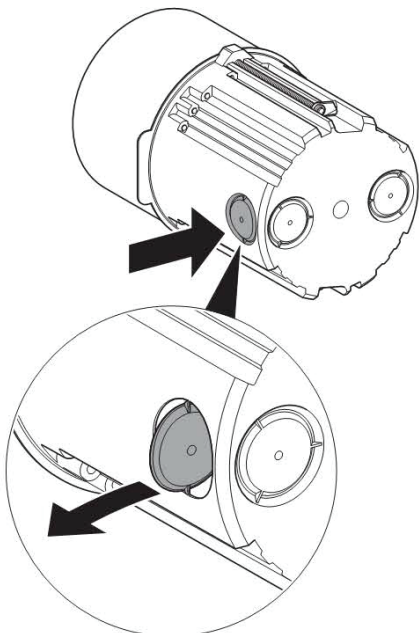


**A**

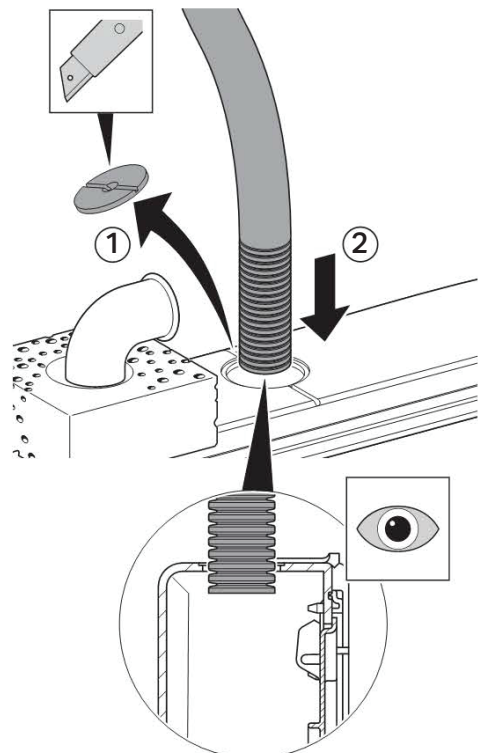
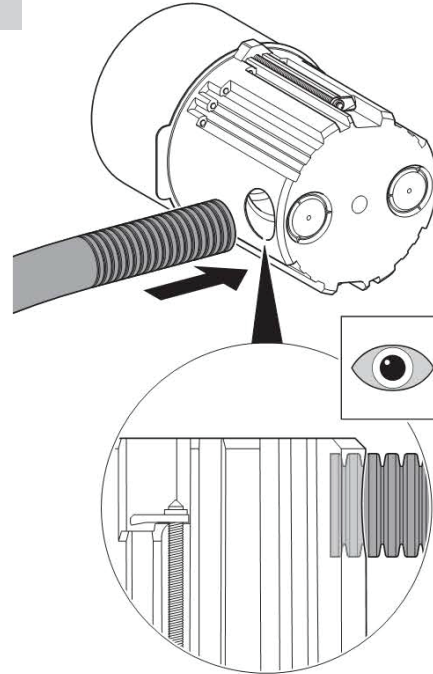
**1**



**2**

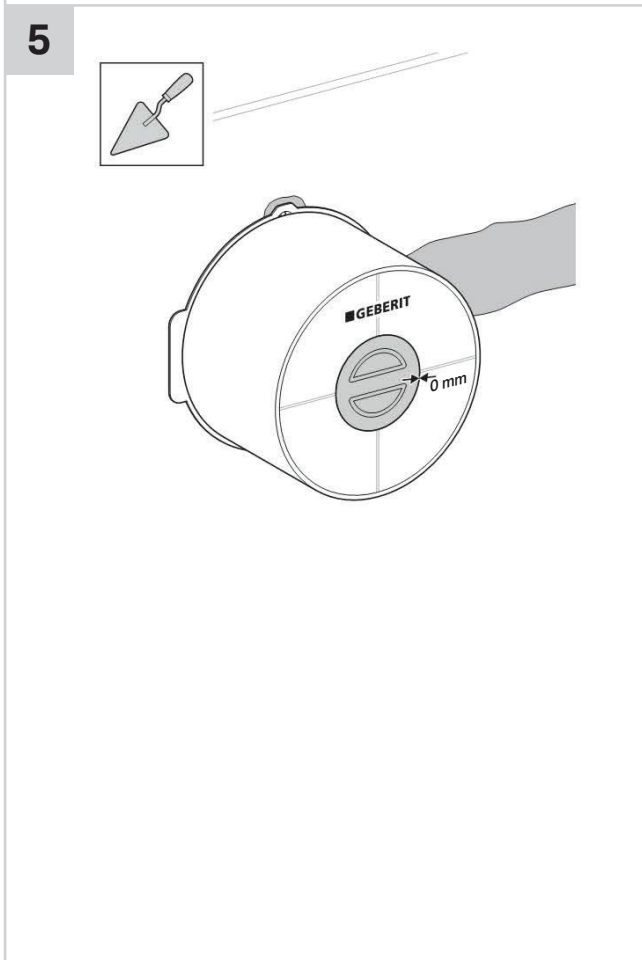
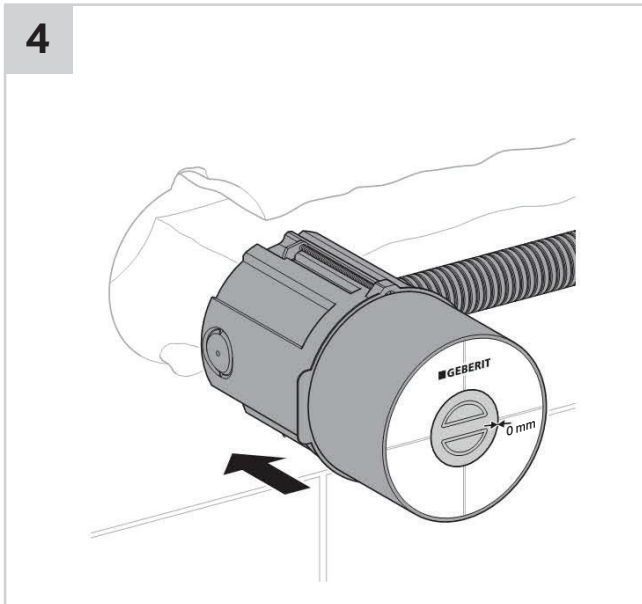


**3**

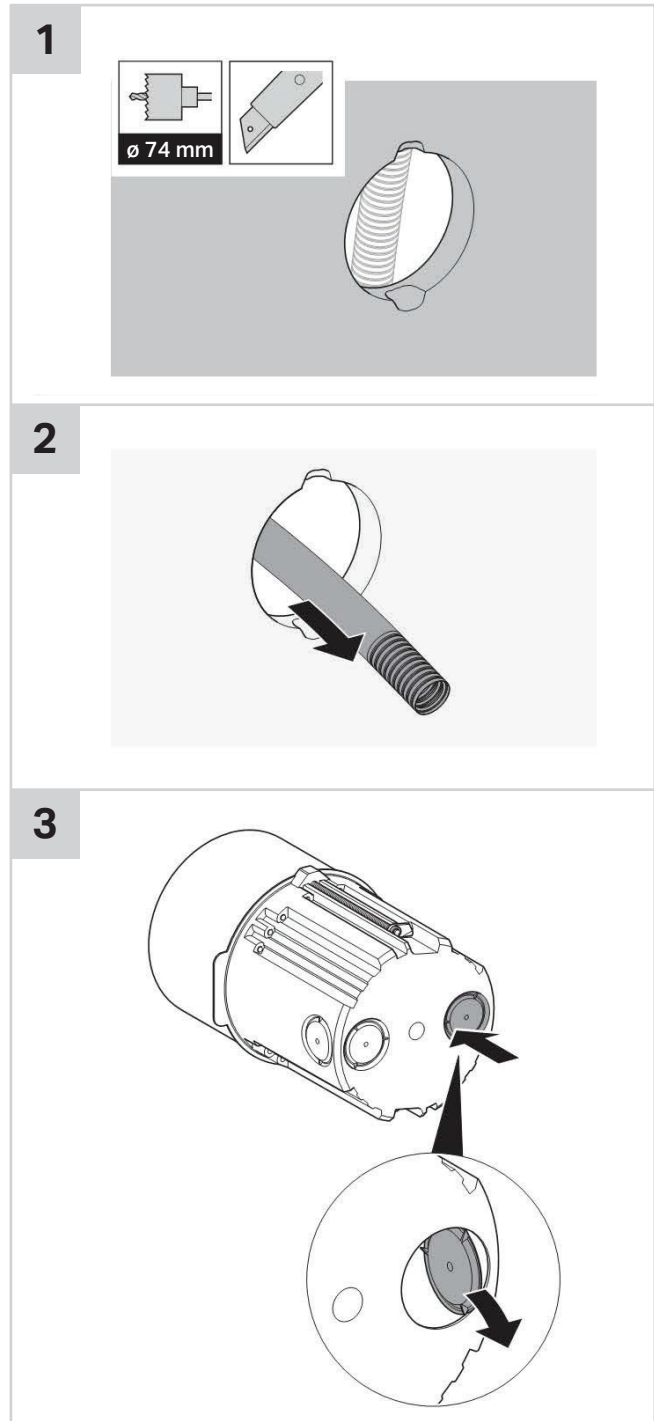


# ■ GEBERIT SIGMA ROUND PNEUMATIC BUTTON

## INSTALLATION INSTRUCTIONS

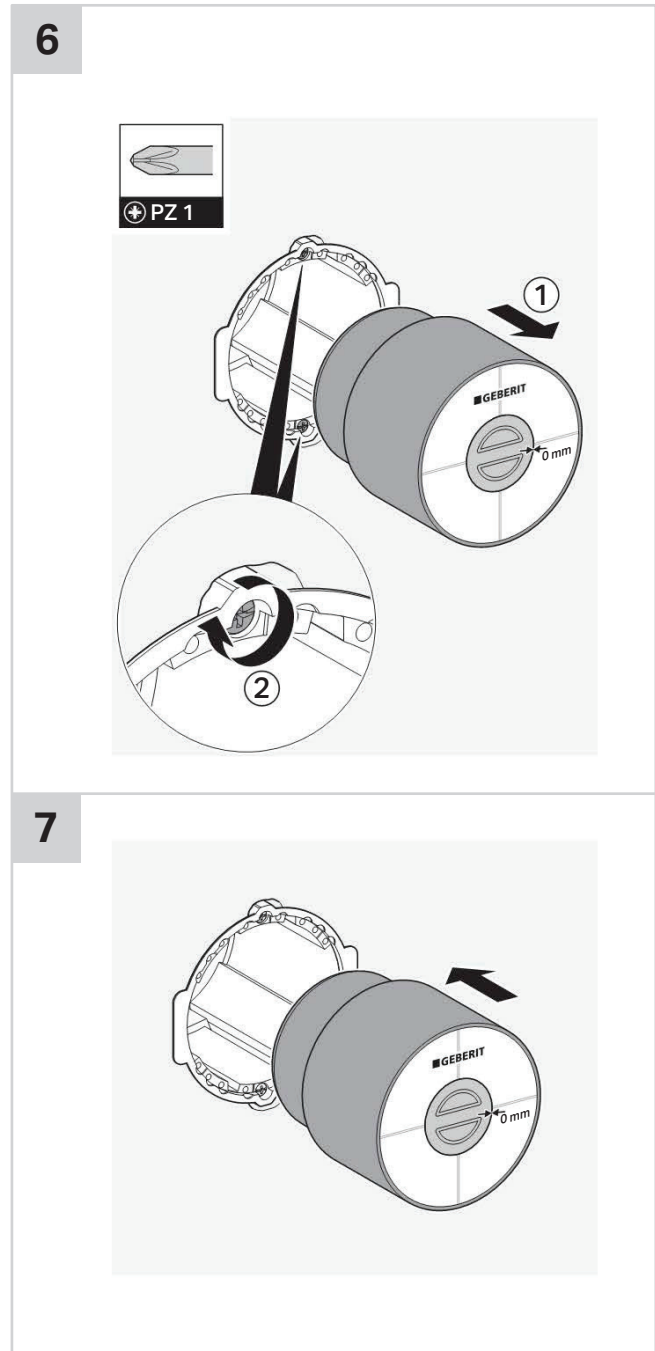
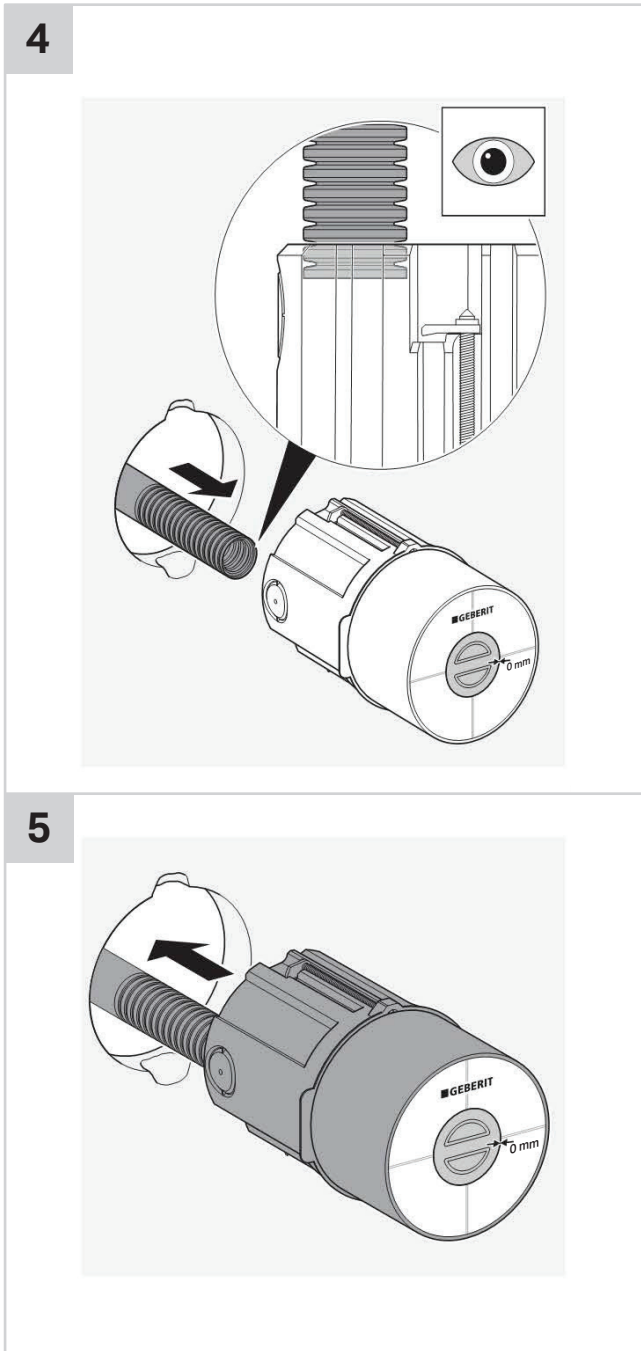


**B**



# ■ GEBERIT SIGMA ROUND PNEUMATIC BUTTON

## INSTALLATION INSTRUCTIONS

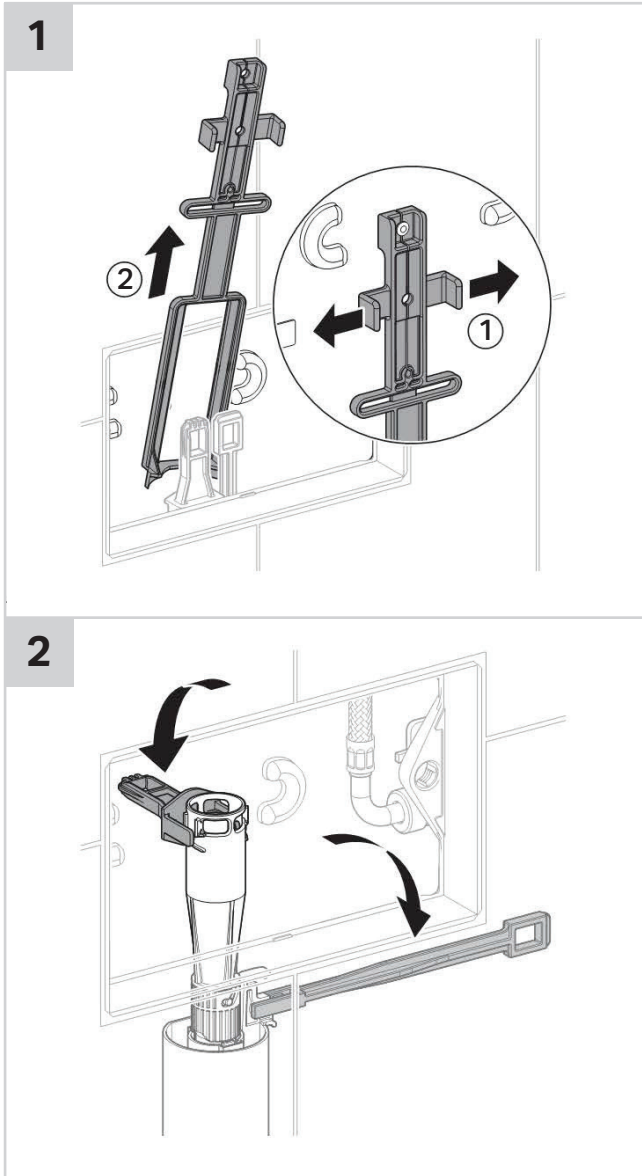


# ■ GEBERIT

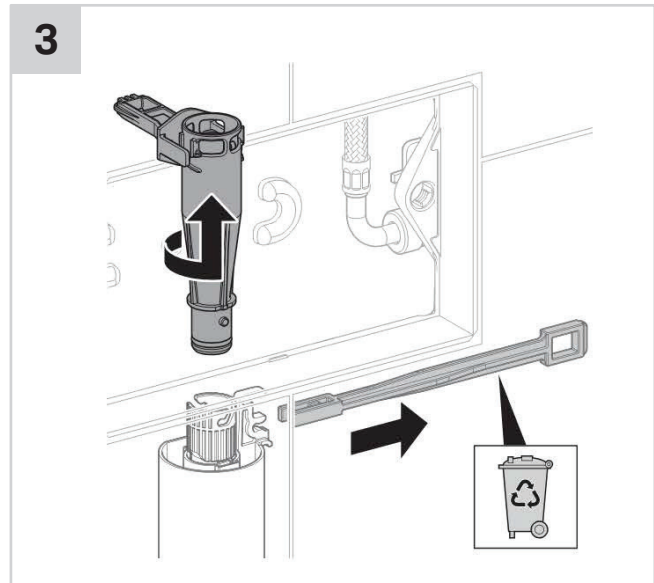
## SIGMA ROUND PNEUMATIC BUTTON

### INSTALLATION INSTRUCTIONS

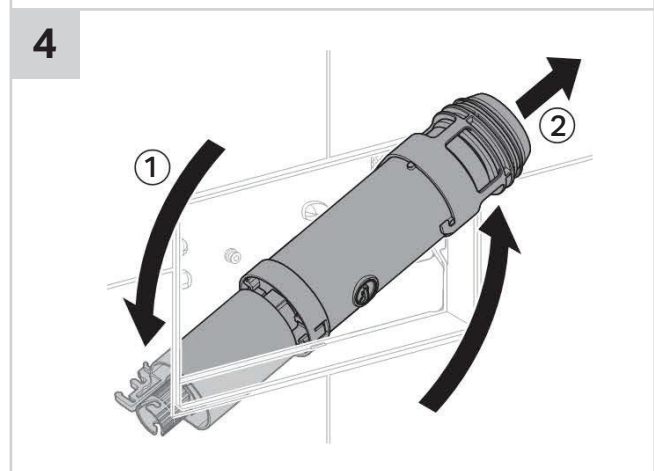
# 1



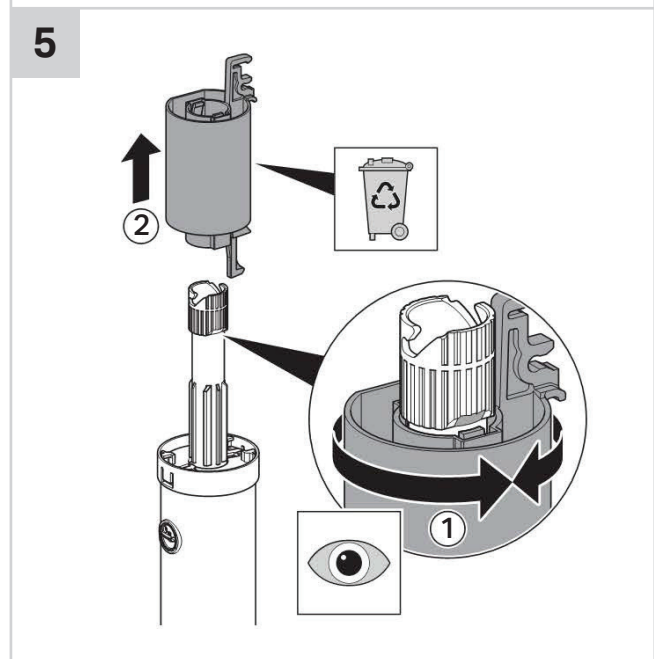
# 3



# 4



# 5

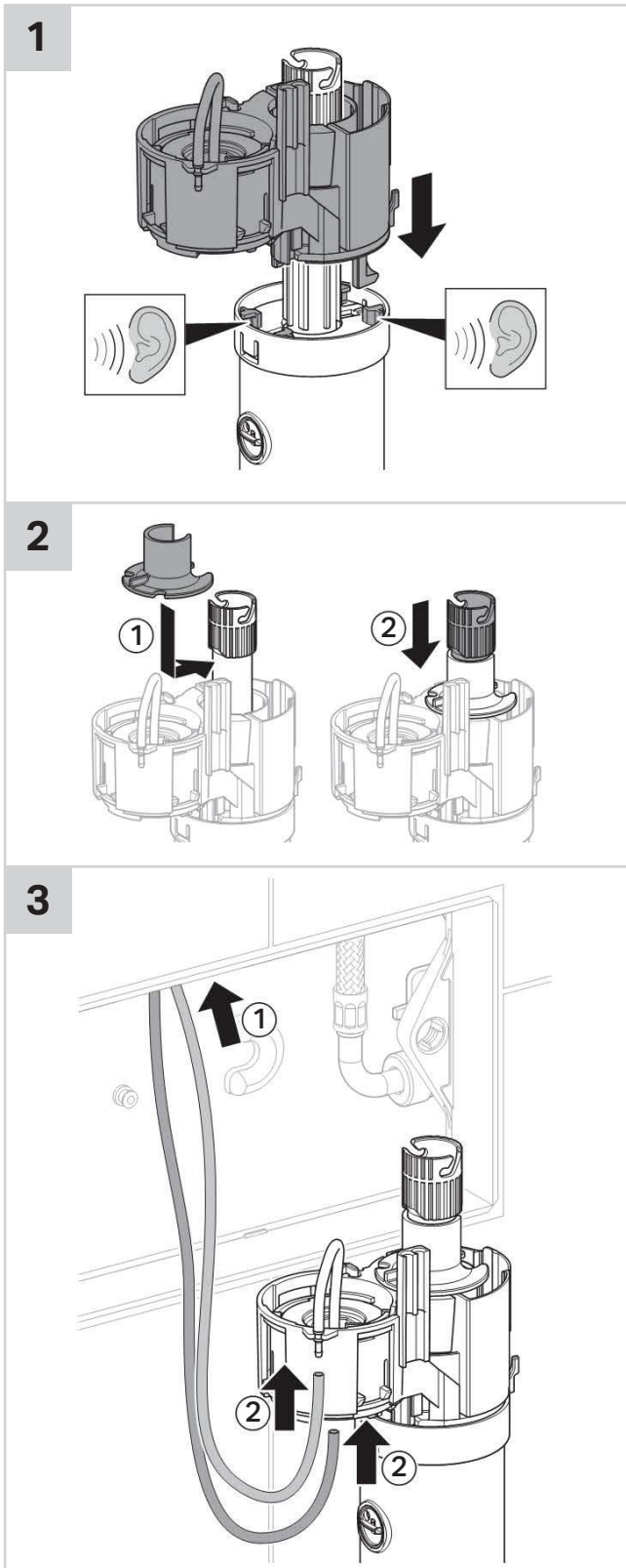


Plumbers, please ensure a copy of the installation instructions is left with the end user for future reference

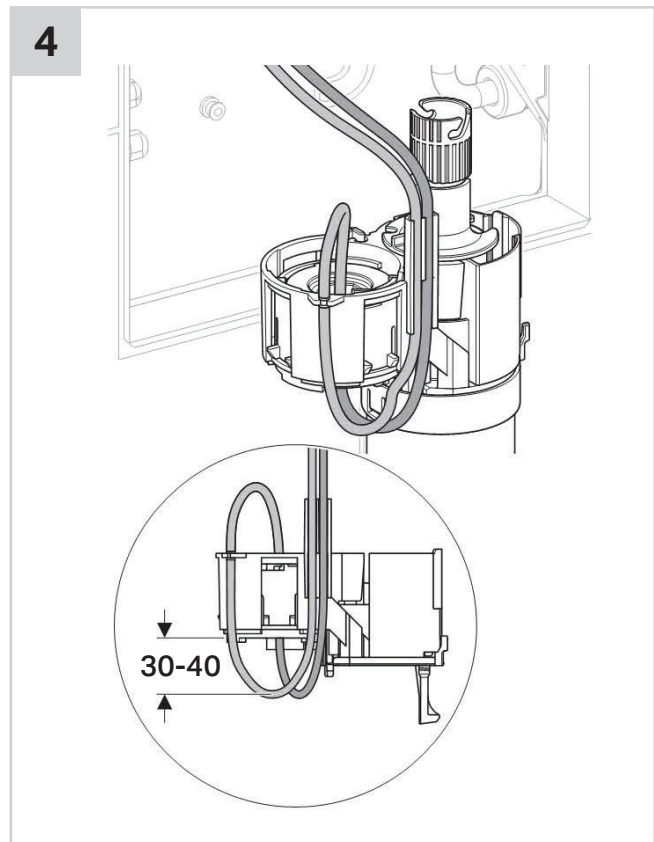
# ■ GEBERIT SIGMA ROUND PNEUMATIC BUTTON

## INSTALLATION INSTRUCTIONS

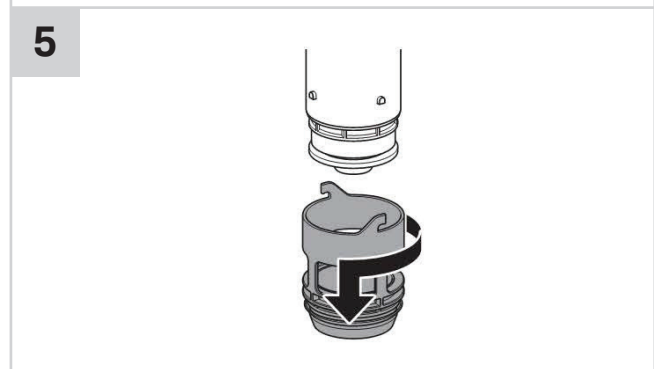
### 2



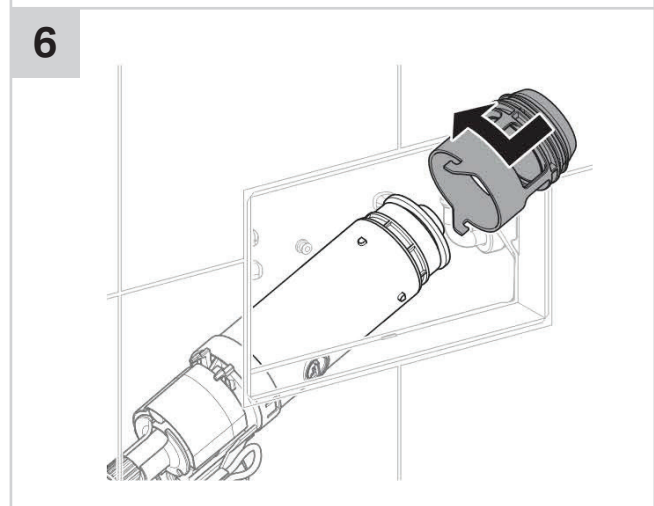
### 4



### 5



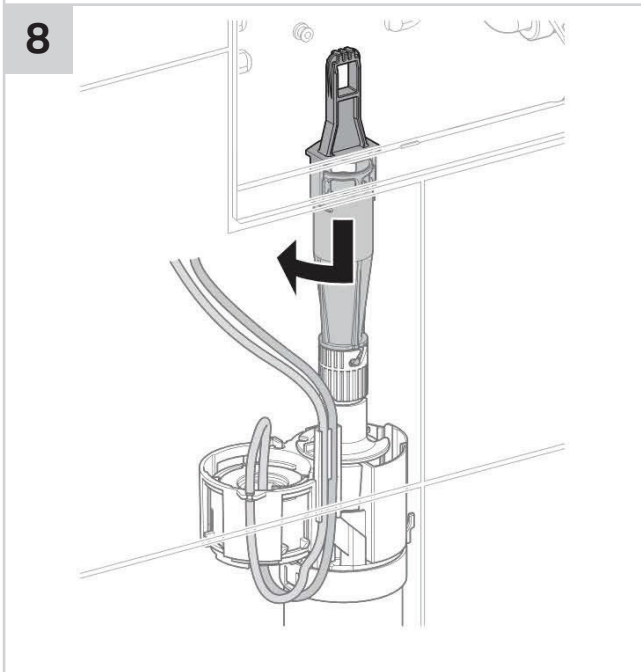
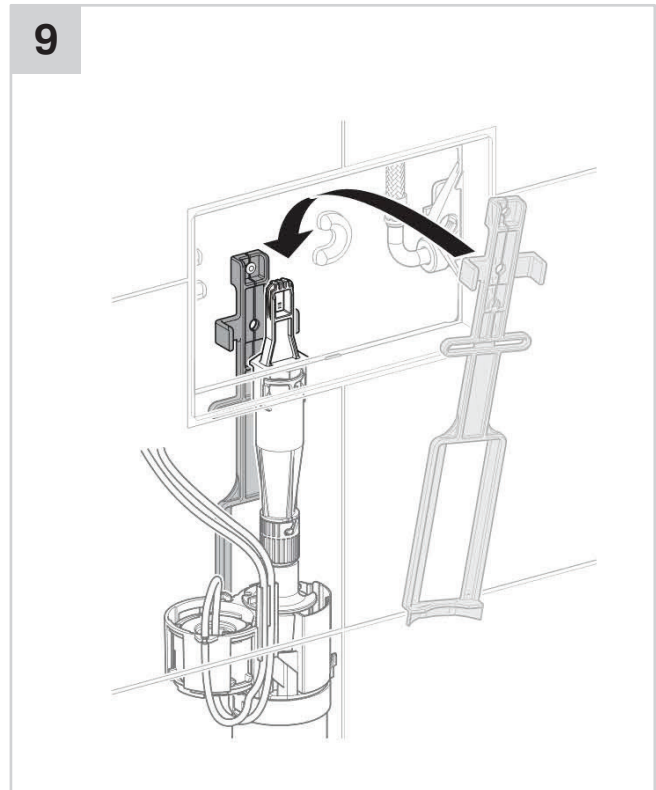
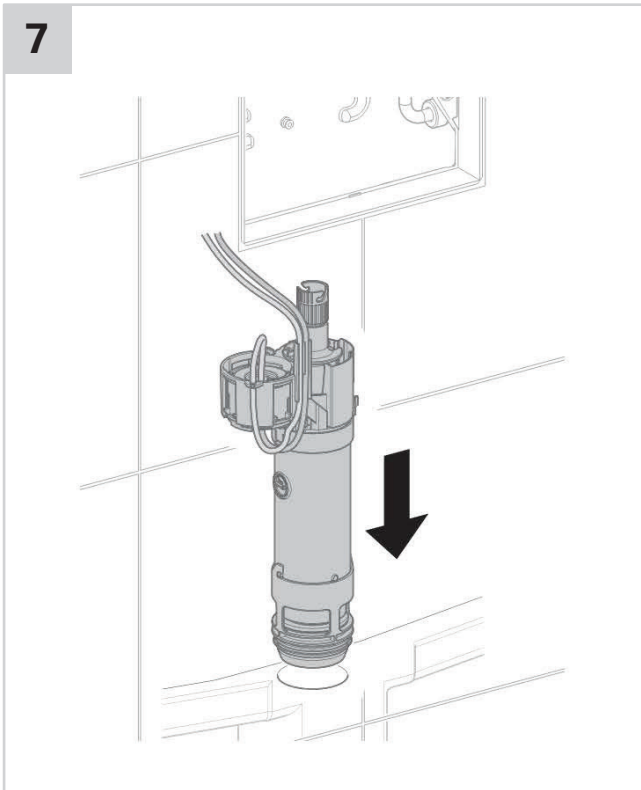
### 6



Plumbers, please ensure a copy of the installation instructions is left with the end user for future reference

# ■ GEBERIT SIGMA ROUND PNEUMATIC BUTTON

## INSTALLATION INSTRUCTIONS



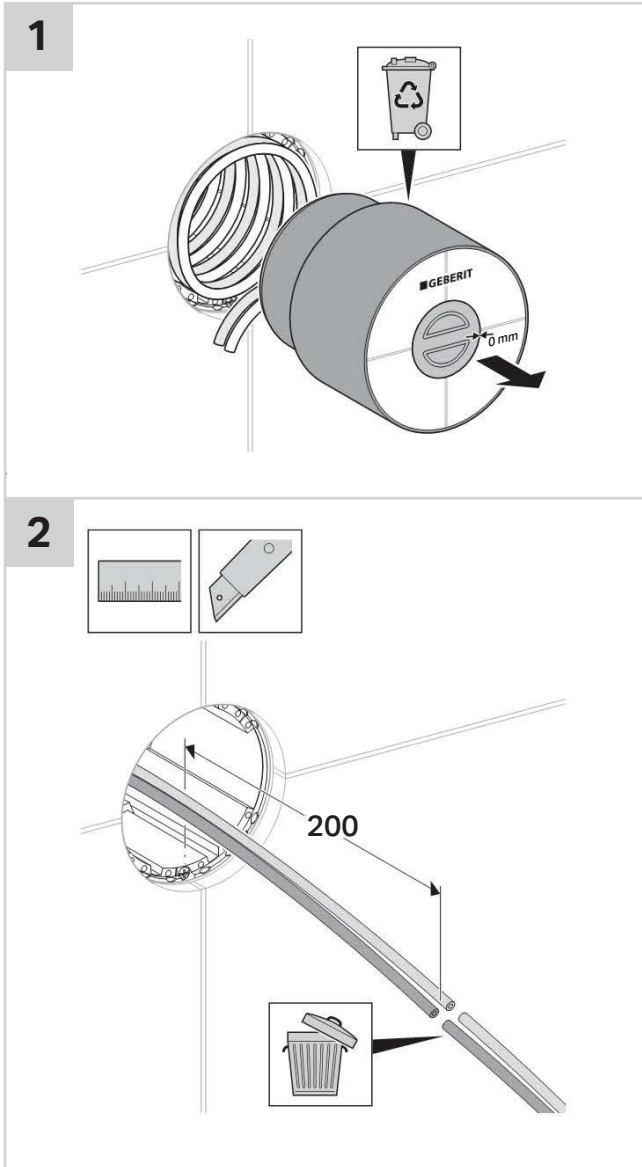
Plumbers, please ensure a copy of the installation instructions is left with the end user for future reference



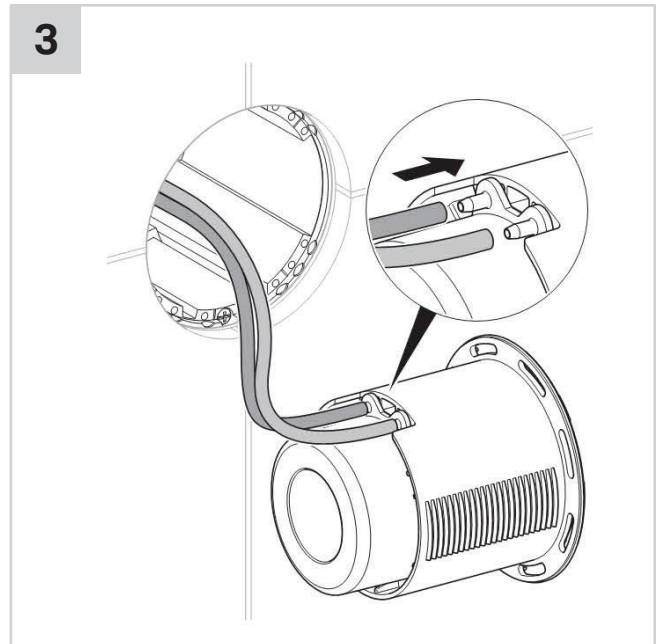
# ■ GEBERIT SIGMA ROUND PNEUMATIC BUTTON

## INSTALLATION INSTRUCTIONS

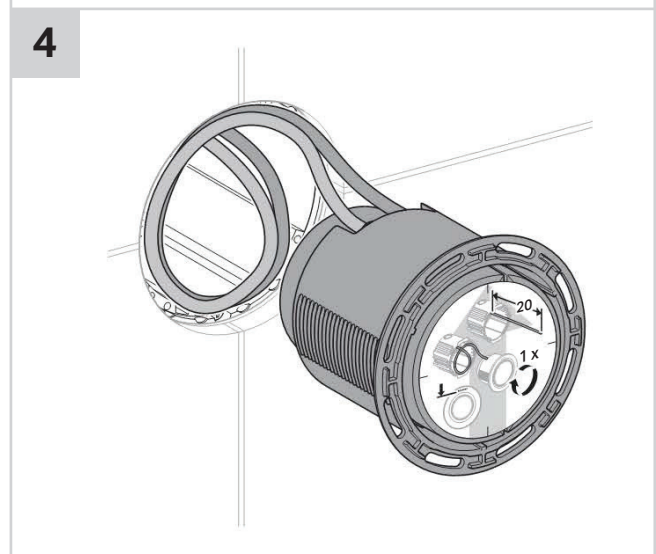
### 3



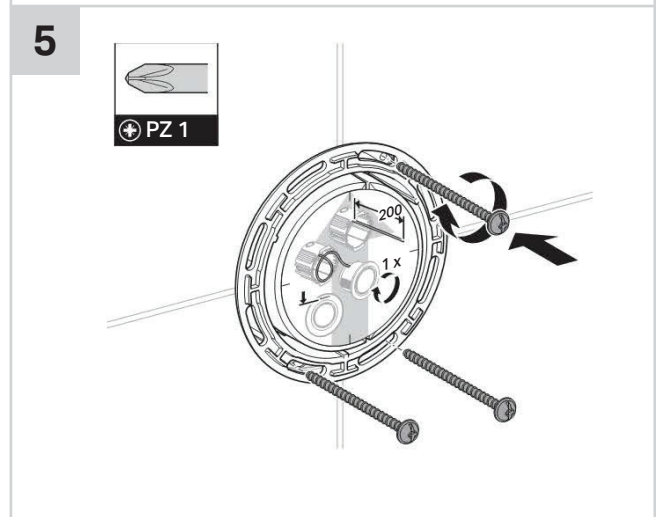
### 3



### 4



### 5



Plumbers, please ensure a copy of the installation instructions is left with the end user for future reference

# ■ GEBERIT SIGMA ROUND PNEUMATIC BUTTON

## INSTALLATION INSTRUCTIONS

