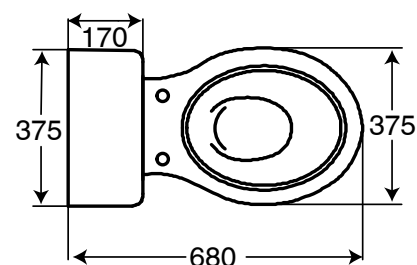
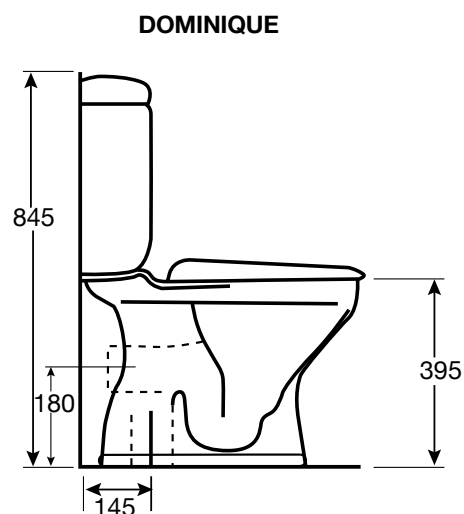
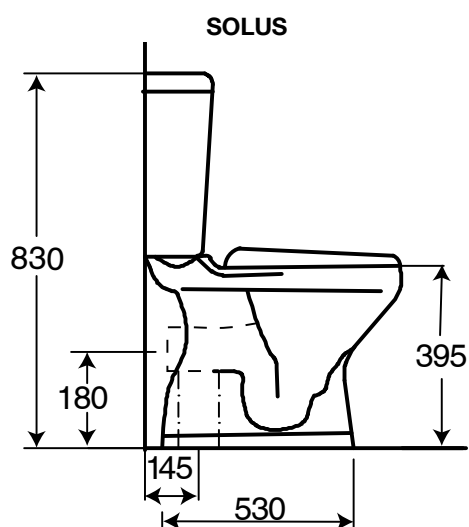


# POSH

## CLOSE COUPLED TOILET SUITE



Dimensions are nominal measurements only.

### SPECIFICATIONS

<b>Recommended use</b>	Domestic, Hotel, and Commercial
<b>Material</b>	Vitreous china
<b>Colour</b>	White
<b>Weight</b>	Pan S Trap 23kg Pan P Trap 20kg Solus Cistern 12kg Dominique Cistern 14kg
<b>Water Inlet</b>	Bottom inlet (reversible left or right)
<b>Inlet Valve</b>	Recommended maximum working pressure 500kPa
<b>Bowl configuration</b>	P Trap or S Trap
<b>Rim Configuration</b>	Box Rim
<b>Seat</b>	Soft Close Quick Release Seat or Standard Close Seat
<b>Cistern Fixing</b>	Cistern bolts directly to the pan
<b>Pan fixing</b>	Pan screwed to floor using fixing bolts (not supplied) and bedded with sealant. Options - Performa S/S Pan Screws



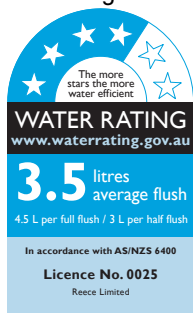
To see the complete POSH range go to  
[www.reece.com.au/bathrooms](http://www.reece.com.au/bathrooms)

### CLEANING RECOMMENDATIONS

We recommend the use of soapy water or approved cleaners.

This product should not be cleaned with abrasive materials.

Damage caused by any improper treatment is not covered by the product warranty. Refer to Warranty Conditions.



**Disclaimer:** Products in this specification manual must by regulation be installed by licensed and registered trade people. The manufacturer/distributor reserves the right to vary specifications or delete models from their range without prior notification. Dimensions are nominal measurements only. Dimensions and set-outs listed are correct at time of publication however the manufacturer/distributor takes no responsibility for printing errors.

Tech Page Version 1



# POSH

## CLOSE COUPLED TOILET SUITE

### INSTALLATION INSTRUCTIONS

1. Position pan onto connector and then cistern onto pan. Check that cistern aligns with finished wall. If necessary make adjustments to pan position.
2. Mark off position of pan fixing holes, remove pan and cistern and drill holes in position marked.
3. Apply flexible sealant to base of pan and carefully position pan onto pan connector and screw pan into pre-drilled holes using corrosion resistant screws (not supplied). Remove excess sealant.
4. Place foam coupling seal over threaded outlet on bottom of cistern and remove metal washers and wing nuts.
5. Lower cistern gently onto pan locating fixing bolts into matching bolt holes on pan.
6. Secure cistern to pan by re-installing wing nuts/metal washers, alternating sides until cistern is mounted square onto pan. Do not use sealant.
7. Connect water supply to the inlet valve. (Recommended with flexible connector).
8. Fill the cistern and ensure correct water level. For adjustment refer separate instructions for inlet.
9. Fit cistern lid and flush toilet. Check for leaks. For adjustment and troubleshooting on outlet valve refer separate instructions.