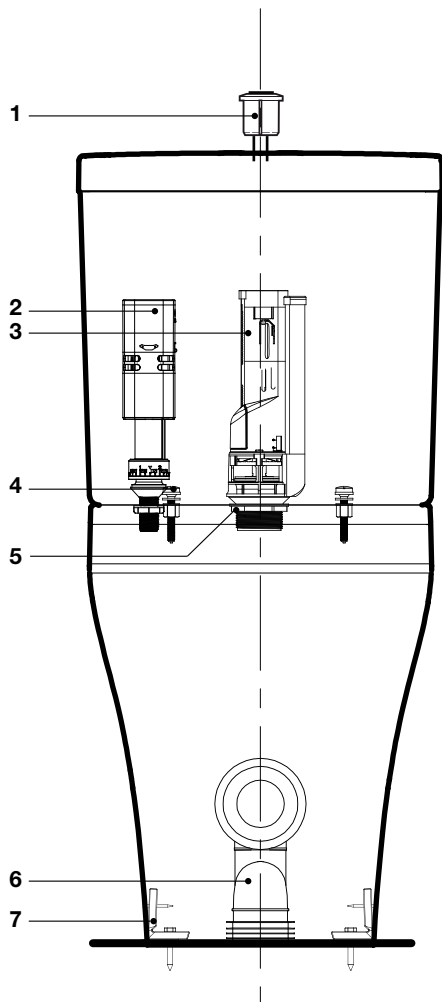


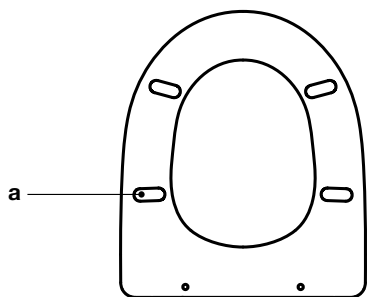
AMERICAN STANDARD

CYGNET OH CLOSE COUPLED BACK TO WALL TOILET SUITE (BACK INLET)

SPARE PARTS



1 - 1817015	DURA DUAL FLUSH BUTTON #5202 CHROME
2 - 9503379	PERFORMA INLET VALVE
3 - 1817018	DUAL FLUSH OUTLET VALVE COMPLETE
4 - 9504528	TOP FIX CISTERN BOLTS (PAIR)
5 - 9506467	CC CISTERN TO PAN RUBBER SEAL
6 - 9503902	PAN BEND
7 - 9500851	PAN FIXING BRKT &COVER



a - 9505974	BUFFER KIT
b - 9503766	SEAT HINGE KIT INCLUDES - FIXING KIT & SOFT CLOSE REPLACEMENT KIT

