

ESPIRE PLUS ON KICK VANITY



To see the complete SHOWERAMA range go to www.reece.com.au/bathrooms

SPECIFICATIONS

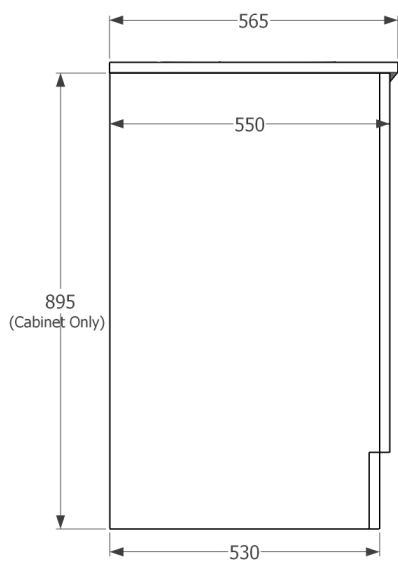
Recommended Use	Domestic, Hotel and Commercial
Mounting	On Kick
Cabinet Material	MDF - Moisture Resistant Board
Cabinet Laminex Colours	Available in a wide variety of colours and finishes, refer to Materials and Finishes on the web page.
Top / Basin Type	Available in a range of Caesarstone and Polymarble colours and finishes (Basin not included)
Door Hinge Design	Metal Soft Close
Drawer Runner Design	Metal Soft Close
Drawer Bank Positon	Right Hand Side Standard - Left Hand Side is Optional
Handle Type	Bevel Finger Pull
Tap Hole Options	0, 1 or 3 Tap Holes
Features	Australian Made, Soft Close Doors and Full Extension Soft Close Drawers, Laminex Colours, Cabinet Height 895mm, Varying Drawer Sizes, Caesarstone Engineered Stone Top, 16mm Back.

Dimensions are nominal measurements only.

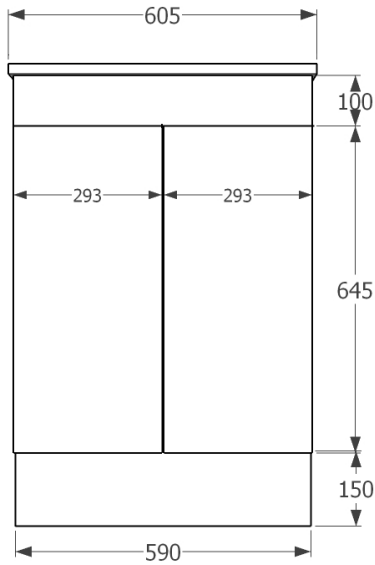
Basin dimensions are dependant on basin selection.

VARIATIONS	610	760	910	1215	1500	1500	1800	1800
	Single Bowl	Single Bowl	Single Bowl	Single Bowl	Single Bowl	Double Bowl	Single Bowl	Double Bowl
Width - Top (mm)	605	754	905	1205	1505	1505	1805	1805
Width - Cabinet (mm)	590	740	887	1185	1481	1481	1774	1774
Depth -Cabinet (mm) Including Top	565	565	565	565	565	565	565	565
Height -Cabinet (mm)	895	895	895	895	895	895	895	895
Weight of Cabinet (kg)	45	52	56	71	92	92	110	110
Weight of Vanity Top (kg)	17	19	22	26	34	34	44	44
Number of Doors	2	1	2	2	2	2	4	4
Number of Drawers	0	3	3	6	6	6	6	6

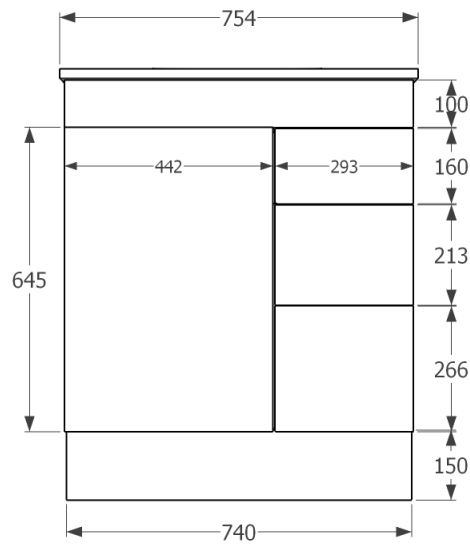
ESPIRE PLUS ON KICK VANITY



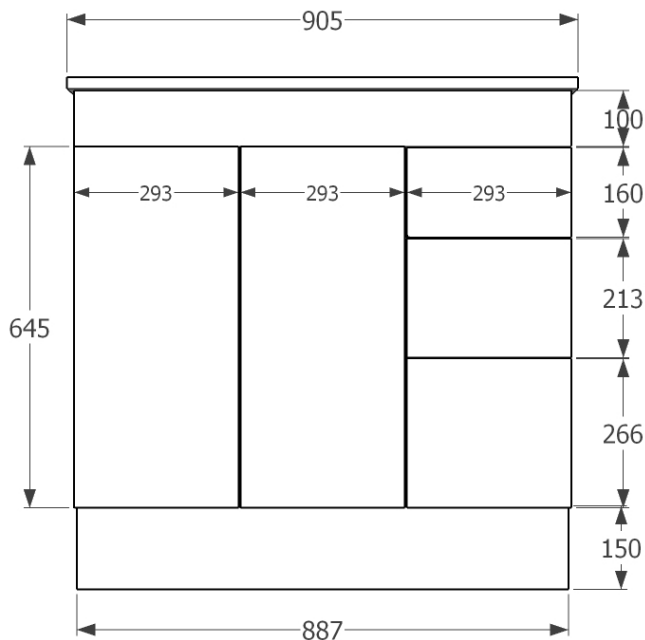
Side view dimensions all sizes



Stone top dimension is 605w X 565d

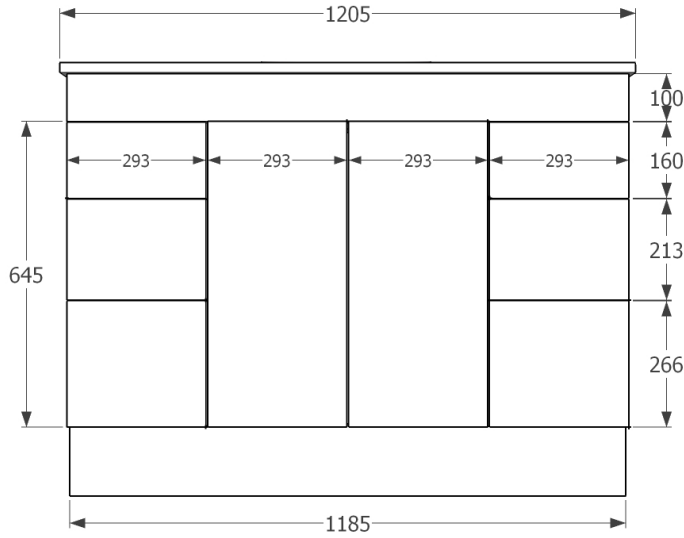


Stone top dimension is 754w X 565d

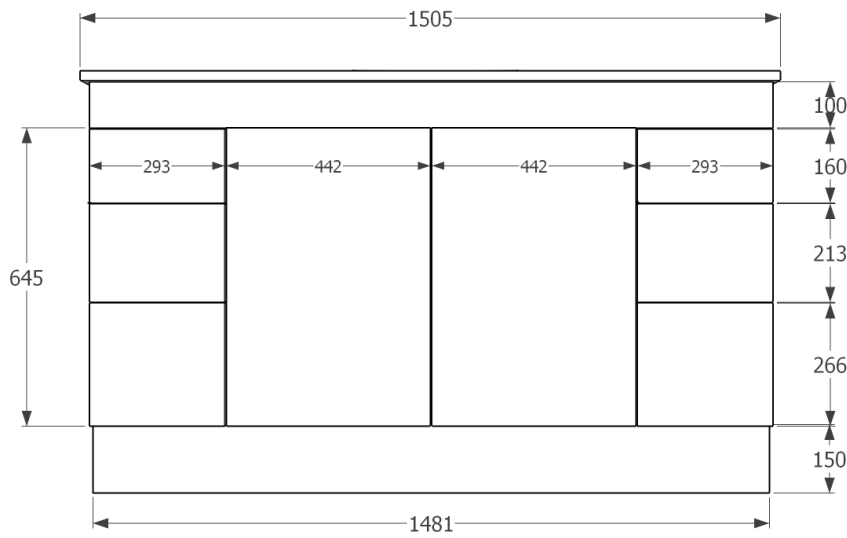


Stone top dimension is 905w X 565d

ESPIRE PLUS ON KICK VANITY

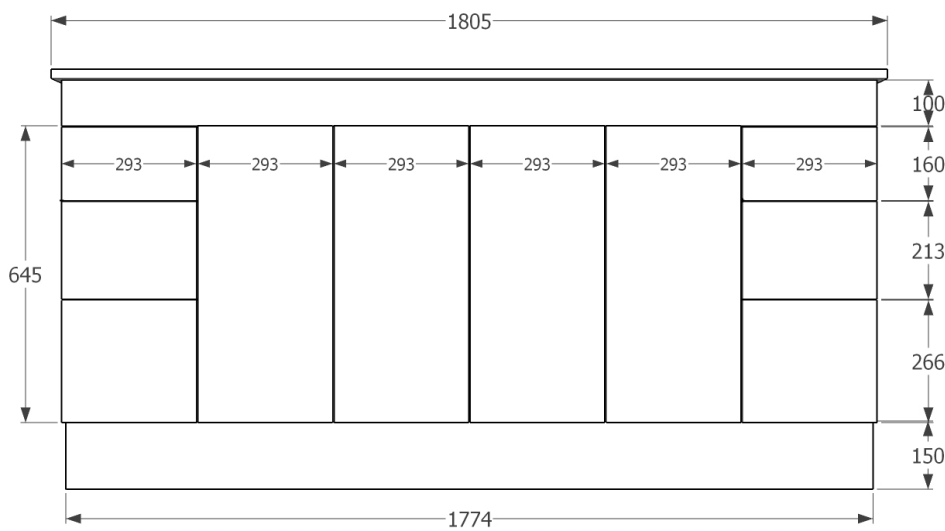


Stone top dimension is
1205w X 565d



Stone top dimension is
1505w X 565d

Suitable for Single or
double Bowl



Stone top dimension is
1805w X 565d

Suitable for Single or
double Bowl

ESPIRE PLUS ON KICK VANITY

CLEANING RECOMMENDATIONS

Caesarstone Tops:

Caesarstone® recommend wiping the surface with warm soapy water (a mild detergent) and a damp cloth or alternatively use a quality spray and wipe type cleaner.

Spillage of strong solvents as found in some cosmetic products and hair dyes should be wiped off immediately.

Showerrama's Bathroom Polish is formulated for cleaning Stone Tops and can be purchased from your Reece Store.

Vanity Cabinets:

Showerrama's cabinets are moisture resistant but not waterproof. Cabinet surfaces should be cleaned with a damp cloth and dried.

INSTALLATION INSTRUCTIONS

NOTE:

Showerrama recommend the vanity unit is NOT TILED IN around the base as this means the base of the cabinet is below floor level and is then prone to water damage which is NOT COVERED under the Warranty.

Important:

Prior to installation it is important to unpack & inspect your products to ensure no damage has occurred in transit and that the product IS CORRECT. If damage has occurred, or a visible defect exists, do not proceed with installation and contact supplier IMMEDIATELY.

No claims for damages/defects will be recognized after installation.

Freight damage is not claimable if it is signed for as in good condition and/or free of damage.

Installation Procedure:

1. Ensure that wall is plumb. Measure and mark out position of wall fixing and screw mounting board to wall.
If fixing to timber framed walls or partitioning, care should be taken to ensure that the wall is adequately reinforced especially when fixing "Wall Hung" vanity units.
2. Place vanity into position and ensure it is level (make minor adjustment if required). Drill pilot holes in the back of the unit and fix unit to the wall using suitable screws. Ensure that the screws are fixed securely into a solid wall or noggin. Minor adjustments may need to be made to align drawer runners and hinges.
3. All final door and drawer adjustments are the responsibility of the installer at the time of installation.
4. External edges where the unit meets the floor and wall should be sealed using flexible waterproof sealants.