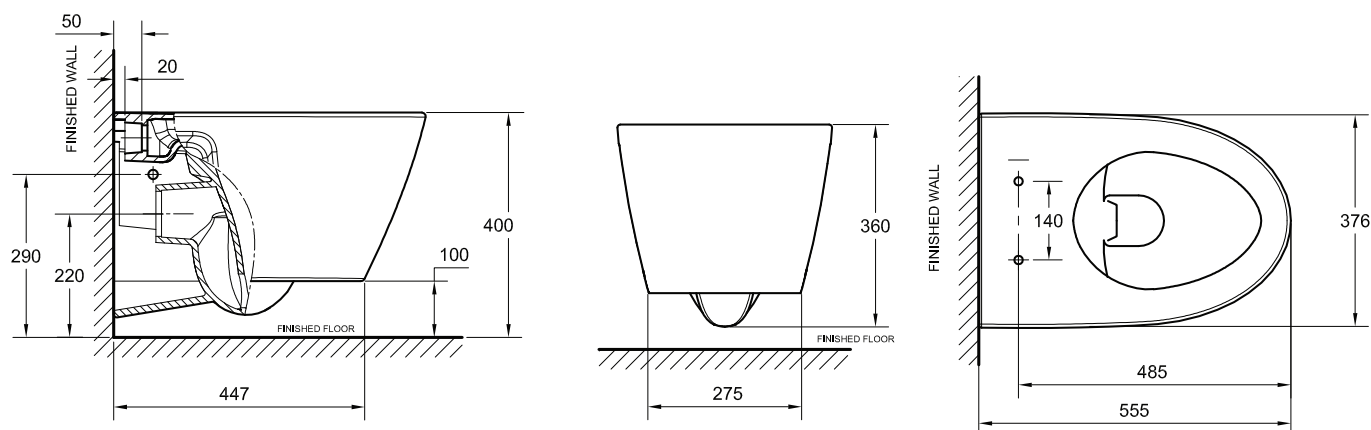


# AMERICAN STANDARD ACACIA E WALL HUNG PAN



Dimensions are nominal measurements only.

## SPECIFICATIONS

<b>Recommended use</b>	Domestic Hotel and Commercial.
<b>Material</b>	Vitreous China- Proguard
<b>Weight</b>	27.5 kg
<b>Rim configuration</b>	Rimless- Double Vortex
<b>Bowl configuration</b>	P Trap only
<b>Pan fixing</b>	Fixed to wall using solid or cavity wall bracket (supplied)
<b>Cistern requirement</b>	For use with inwall cistern or flush valve (ordered seperately)
<b>Seat</b>	Soft Close Quick Release Seat



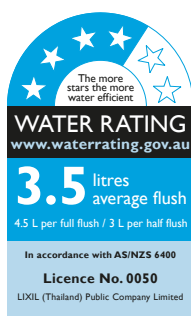
To see the complete AMERICAN STANDARD range go to [www.reece.com.au/bathrooms](http://www.reece.com.au/bathrooms)

## CLEANING RECOMMENDATIONS

We recommend the use of soapy water or approved cleaners.

This product should not be cleaned with abrasive materials.

Damage caused by any improper treatment is not covered by the product warranty. Refer to Warranty Conditions.



**Disclaimer:** Products in this specification manual must by regulation be installed by licensed and registered trade people. The manufacturer/distributor reserves the right to vary specifications or delete models from their range without prior notification. Dimensions are nominal measurements only. Dimensions and setouts listed are correct at time of publication however the manufacturer/distributor takes no responsibility for printing errors.

Tech Page Version 2



# AMERICAN STANDARD ACACIA E WALL HUNG PAN

## INSTALLATION INSTRUCTIONS

