



Compressor  
Voltage Code : TZ

**TAG4537Y**

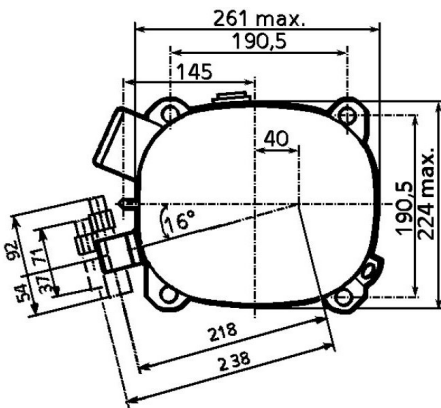
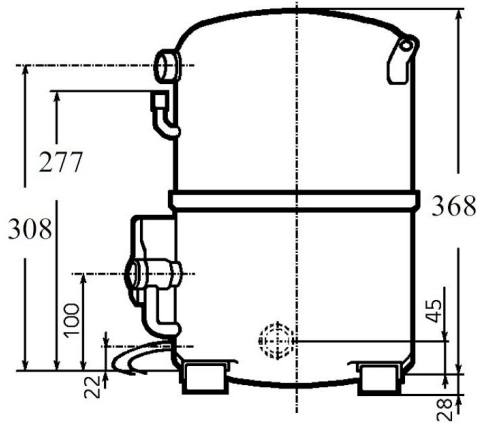
High Temp. Commercial (HP)

400V 3~ 50Hz / 440V 3~ 60 Hz

R134a

AGB4537YTZ

Conditions	Frequency	Nominal Cooling Capacity		Sound Power ISO3745 / ISO 3743-1
		Watts	BTU/h	
EN12900 / R134a	50 Hz / 60 Hz	8301 / 9770	28307 / 33315	74 dBA



<b>Displacement (cc)</b>	112.5
<b>Net Weight (Kg)</b>	44.0
<b>Oil Quantity (cc)</b>	1760.0
<b>Oil Type</b>	Polyolester
<b>Expansion Device</b>	Capillary_Tube/Expansion_Valve
<b>Cooling</b>	Fan
<b>Main Winding (Ohm)</b>	4.3
<b>Current</b>	
RLA (A)	5.4   6.4
MCC (A)	10   10
LRA (A)	40   44
<b>Electrical Equipment</b>	TRI
<b>Overload</b>	Interne
<b>Refrigerating connection for OD</b>	
Suction Tube	22.2 (7/8")
Discharge Tube	15.9 (5/8")
Process Tube	6.35 (1/4")

\* EN12900 : T°Cond. 50.0°C / T°Evap. 5.0°C / T°Return gas temp.. 20.0°C  
T°Subcooling. 0.0K

Certificates :



Note : Tecumseh reserves the right to change information contained in this document without notification.



**Tecumseh**

<b>TAG4537Y</b>	<b>Tension TZ : 400V 3~ 50Hz / 440V 3~ 60 Hz</b>
-----------------	--

Les performances sont données dans les <b>conditions EN12900</b> :	Gaz aspirés :	20.0 °C
Condition Dew	Sous refroidissement :	0.0 K
The performance data are in <b>EN12900 conditions</b> :	Return gas :	20.0 °C
Dew Condition	Subcooling :	0.0 K

© 2020 Tecumseh Products Company  
All rights reserved

### 50 Hz R134a

**N°217GU-T**

4   T condensation	5   T évaporation	(°C)	-25	-20	-15	-10	-5	0	5	10	15
<b>30</b>	1   P frigorifique	(Watt)	2120	2860	3947	5368	7108	9152	11488	14101	16977
	2   P absorbée	(W)	948	1295	1606	1880	2118	2319	2484	2612	2704
	3   I absorbée	(A)	2.55	2.99	3.39	3.75	4.07	4.35	4.58	4.77	4.93
<b>40</b>	1   P frigorifique	(Watt)	1738	2345	3274	4508	6033	7833	9893	12198	14735
	2   P absorbée	(W)	930	1284	1617	1927	2216	2482	2727	2949	3150
	3   I absorbée	(A)	2.55	2.98	3.40	3.80	4.17	4.52	4.86	5.17	5.46
<b>50</b>	1   P frigorifique	(Watt)		1827	2597	3646	4957	6514	8301	10302	12501
	2   P absorbée	(W)		1274	1628	1975	2315	2646	2970	3287	3596
	3   I absorbée	(A)		2.98	3.41	3.84	4.27	4.70	5.13	5.56	5.99
<b>60</b>	1   P frigorifique	(Watt)			1917	2782	3881	5198	6714	8413	10278
	2   P absorbée	(W)			1640	2023	2413	2810	3214	3625	4043
	3   I absorbée	(A)			3.42	3.89	4.37	4.88	5.41	5.96	6.53

### 60 Hz R134a

**N°217GU-T**

4   T condensation	5   T évaporation	(°C)	-25	-20	-15	-10	-5	0	5	10	15
<b>30</b>	1   P frigorifique	(Watt)	2478	3394	4701	6384	8425	10810	13521	16544	19864
	2   P absorbée	(W)	1120	1547	1935	2283	2591	2859	3088	3277	3427
	3   I absorbée	(A)	2.41	2.90	3.37	3.82	4.24	4.64	5.01	5.36	5.69
<b>40</b>	1   P frigorifique	(Watt)	2025	2781	3899	5362	7151	9251	11644	14313	17241
	2   P absorbée	(W)	1103	1536	1948	2340	2711	3061	3391	3701	3989
	3   I absorbée	(A)	2.43	2.90	3.38	3.86	4.34	4.83	5.32	5.81	6.30
<b>50</b>	1   P frigorifique	(Watt)		2164	3093	4337	5876	7693	9770	12088	14628
	2   P absorbée	(W)		1526	1962	2397	2831	3264	3695	4124	4552
	3   I absorbée	(A)		2.90	3.39	3.90	4.45	5.02	5.62	6.25	6.90
<b>60</b>	1   P frigorifique	(Watt)			2283	3310	4601	6138	7902	9872	12029
	2   P absorbée	(W)			1976	2455	2952	3466	3998	4548	5115
	3   I absorbée	(A)			3.40	3.95	4.55	5.21	5.92	6.69	7.51

1 = cooling capacity 2 = power input 3 = current 4 = condensing temperature 5 = evaporating temperature

**Nota : Tecumseh se réserve le droit de modifier les informations contenues dans ce document sans préavis.**

**Note : Tecumseh reserves the right to change information contained in this document without notification.**