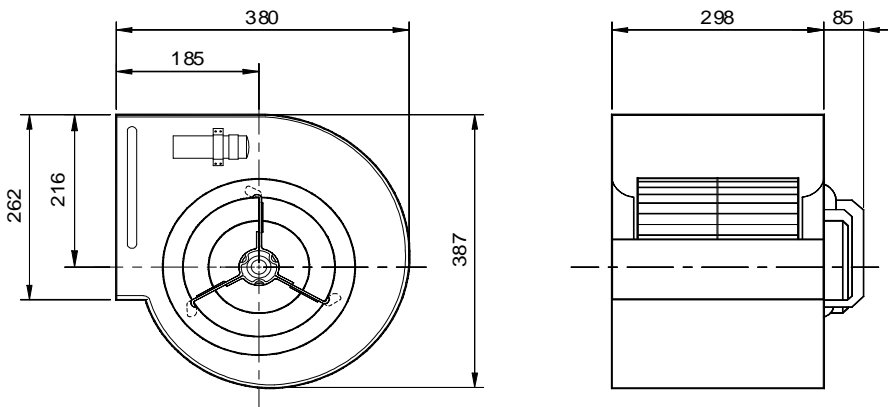
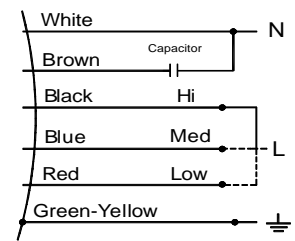


KDD 9/9 550W 4P-1 3SY

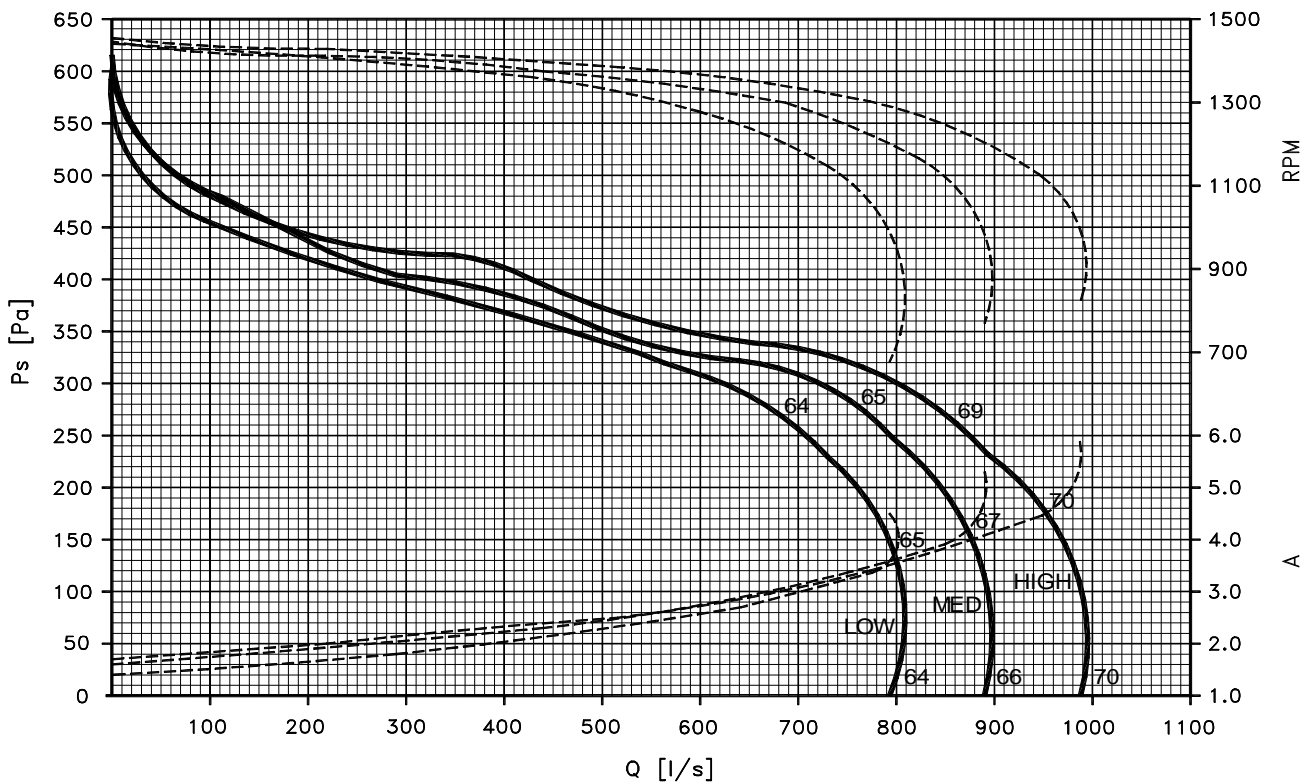


VOLT	220-240	Ph	1	SL.	KD09010.1
WATT	550	Hz	50	Part No.	CE-AD0G733.00
RPM	1300/1150/1050	Cl.	F	uF/V	16 / 450
POLE	4	Temp.	min - 20°C	N. Amp	4.0
IP	21		max +40°C	M. Amp	5.6
				Date	11/5/01
				Weight	17 kg

Wiring diagram



All Dimension in mm



* Sound Lp(A) at 1 m.