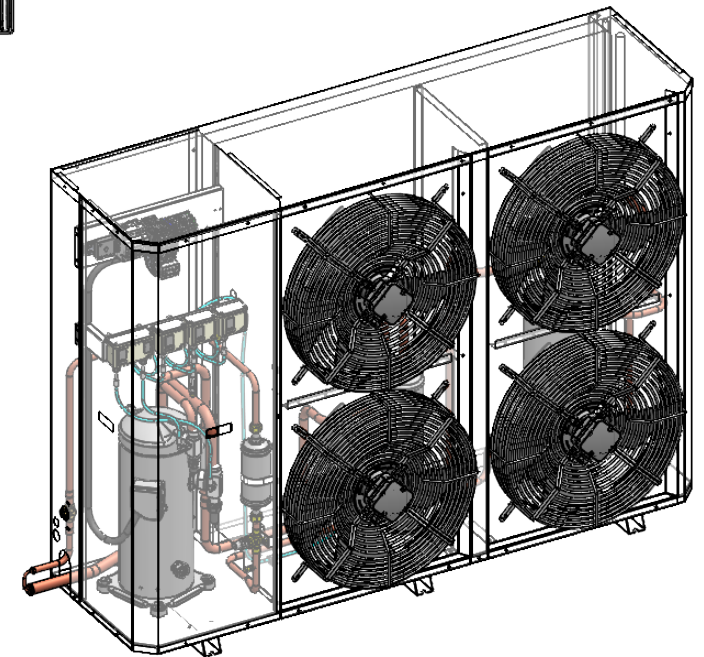
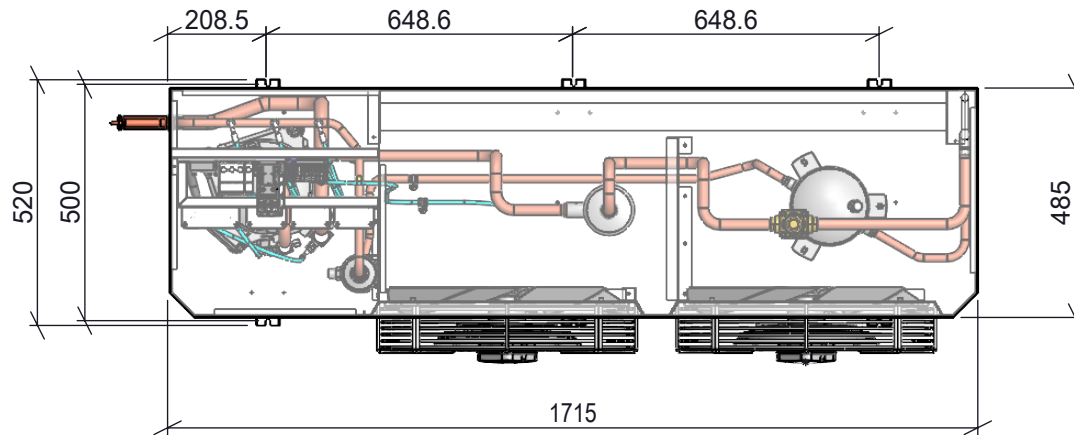


No	Item	Specification
1	Compressor	Scroll
2	Condenser	5mm - 6 Row (TEM)
3	Fan Motor	4 x 500mm (TEM)
4	Receiver	12L (TEM)
5	Oil Separator	1 1/8" Helical (HPEOK PKW 04-07)
6	Check Valve	7/8" (Castel)
7	Filter Drier	5/8" (Castel-DF 330/5)
8	PCLV	5/8" (Castel)
9	Sight Glass	5/8" (Castel)
10	Pressure Switch	KP17 (TEM)
11	Fan Switch	KP5 (Danfoss) x 3 nos.



6	F	Add mounting dimension.	17/08/20	rudy	Helmi	Sham
5	E	Change receiver tube type.	20/07/20	rudy	Helmi	Sham
4	D	Add vibration tube.	25/06/20	rudy	Helmi	Sham
3	C	Change model name.	01/06/20	rudy	Helmi	Sham
No.	Ind	Modification	Date	Drawn	Checked	Approved



Model	PAS4614Z-3	Drawn	rudy
Description	Compac Scroll Double Extra Large-12hp	Checked	Helmi
Drawing No.	TEM19/CU/077	Approved	Sham
Date	09/03/2020	Index	F



TECUMSEH EURO-MALAYSIA SDN BHD