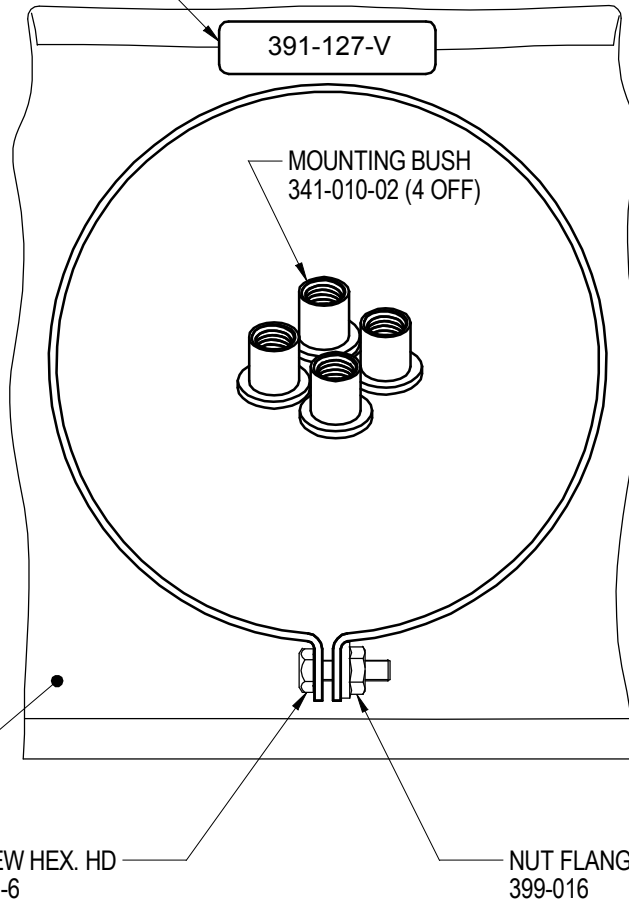


LABEL STICKER
TO CLOSE THE BAG
PR006340



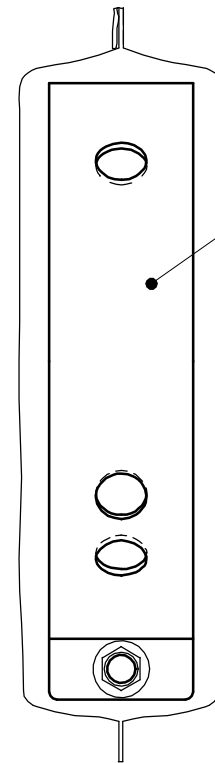
391-127-V

MOUNTING BUSH
341-010-02 (4 OFF)

HIGH DENSITY
PLASTIC BAG

SCREW HEX. HD
SM31-6

NUT FLANGE
399-016



MOUNTING BAND
450-005-02

SCALE 1:2

MIC No. 008584

By: CHAWALIT
Date: 08-09-04

MIC REVISE DRAWING.
Note:

UNLESS OTHERWISE SPECIFIED :
DIMENSIONS ARE IN MM.
TOLERANCES

DECIMALS	ANGULAR
.X ± 0.3	± 30'
.XX ± 0.1	

MATL & FINISH	REFER BOM		
DRAWN	CHAWALIT	12-05-03	
CHECKED	PIPAT	09-09-04	
RELEASED	JITWAT	16-09-04	
SCALE	1:1	UNLESS STATED	



29/7-8 MOO 3, BANGKRUAY - SAINOI
Rd., BANGKRANG, MUANG
NONTABURI DISTRICT, NONTABURI
11000 THAILAND

FRAME	
STATUS	R
SHEET	A4

KIT MOUNTING BUSH	
PCD 180.5-3/8" BSW	
DWG. NO.	REVISION
391-127-V	C