

# SHOWERAMA

## BRISTOL ON KICK VANITY



To see the complete SHOWERAMA range go to [www.reece.com.au/bathrooms](http://www.reece.com.au/bathrooms)

### SPECIFICATIONS

<b>Recommended Use</b>	Domestic, Hotel and Commercial
<b>Mounting</b>	On Kick
<b>Cabinet Material</b>	MDF - Moisture Resistant Board
<b>Cabinet Finish</b>	White Gloss Vinyl Wrap - Splash, Doors & Drawers. White Gloss Laminex - Sides & Kick.
<b>Cabinet Colour Options</b>	White
<b>Basin Type</b>	1 Piece Moulded Cultured Marble Ocean Top
<b>Basin Colour Options</b>	White
<b>Door Hinge Design</b>	Metal Soft Close
<b>Drawer Runner Design</b>	Metal Soft Close
<b>Drawer Bank Positon</b>	Right Hand Side Standard - Left Hand Side is Optional
<b>Handle Type</b>	Flat D 96mm Bright Chrome
<b>Tap Hole Options</b>	0, 1 or 3 Tap Holes
<b>Plug and Waste</b>	Suits 40mm Plug and Waste (not supplied)
<b>Features</b>	Australian Made, Soft Close Doors and Drawers, Vinyl Gloss Front Set Finish, White Gloss Laminex Sides, Cultured Marble Ocean Top.

Dimensions are nominal measurements only.

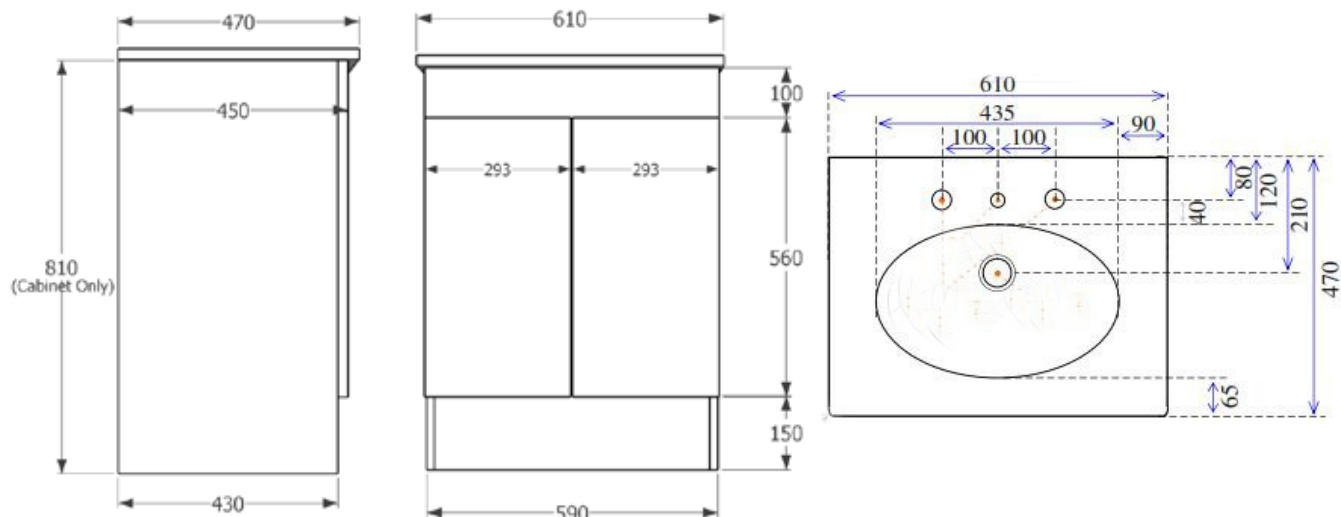
VARIATIONS	610	760	910	1215	1500	1500	1800	1800
	Single Bowl	Single Bowl	Single Bowl	Single Bowl	Single Bowl	Double Bowl	Single Bowl	Double Bowl
<b>Width - Top (mm)</b>	610	760	905	1215	1495	1510	1805	1805
<b>Width - Cabinet (mm)</b>	590	740	887	1185	1481	1481	1774	1774
<b>Depth - Cabinet (mm)</b>	470	470	470	470	470	470	470	470
<b>Height - Cabinet (mm)</b>	823	823	823	823	823	823	823	823
<b>Weight of Cabinet (kg)</b>	21	28	34	48	56	56	75	75
<b>Weight of Vanity Top (kg)</b>	14	16	18	20	24	30	30	36
<b>Bowl Capacity (Litres)</b>	7	7	7	7	7	7	7	7
<b>Number of Doors</b>	2	1	2	3	2	2	4	4
<b>Number of Drawers</b>	0	2	2	2	4	4	4	4

**Disclaimer:** Products in this specification manual must by regulation be installed by licensed and registered trade people. The manufacturer/distributor reserves the right to vary specifications or delete models from their range without prior notification. Dimensions are nominal measurements only. Dimensions and set-outs listed are correct at time of publication however the manufacturer/distributor takes no responsibility for printing errors.

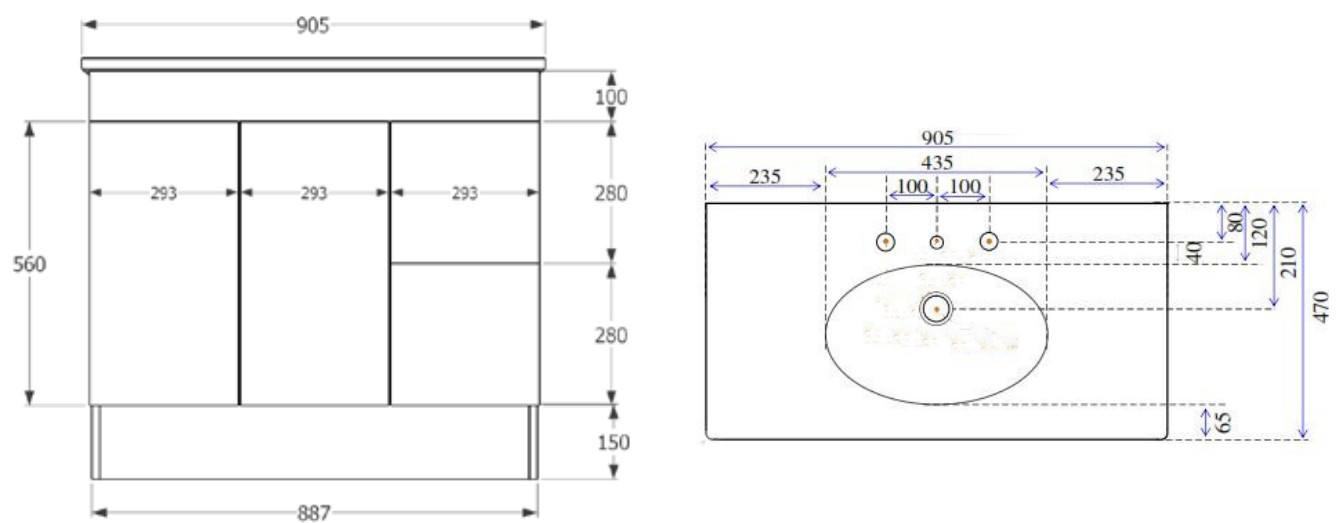
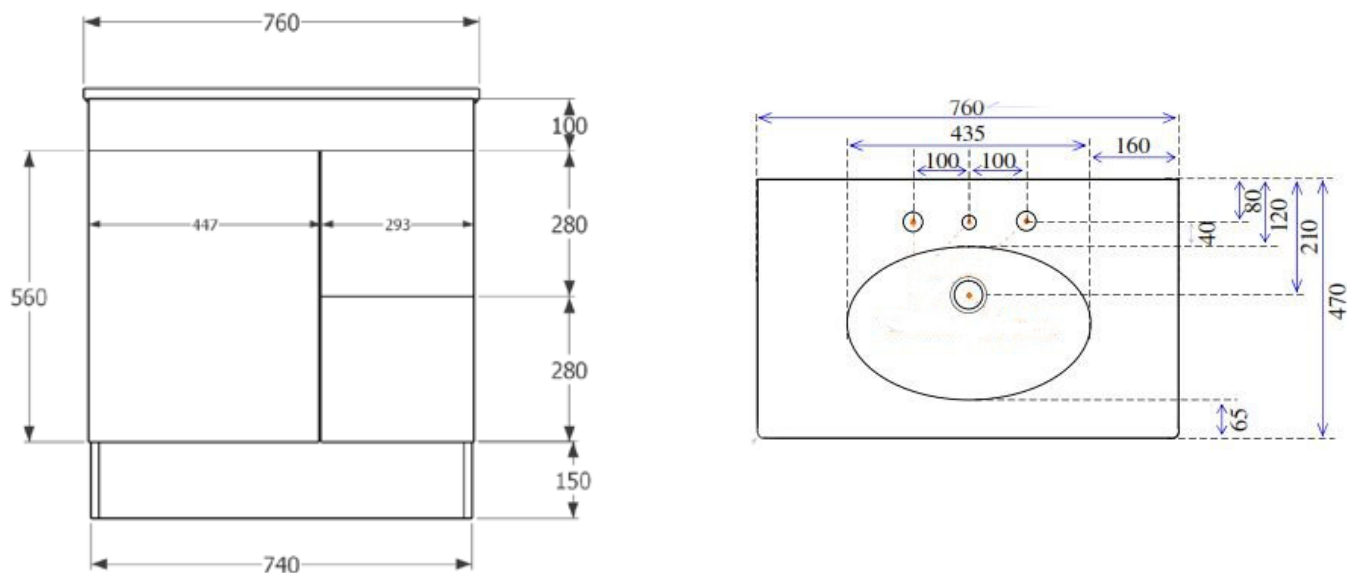
Tech Page Version 1



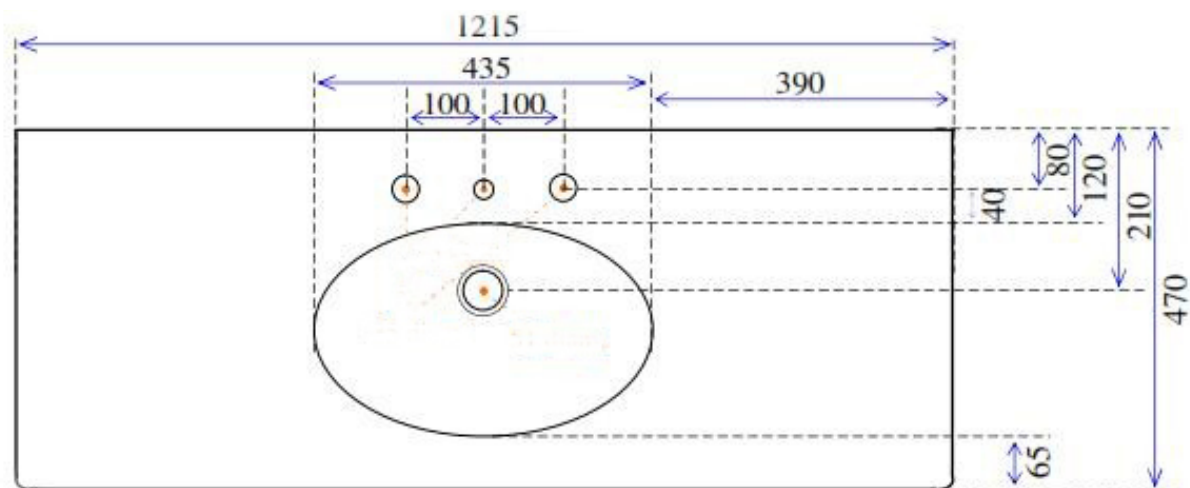
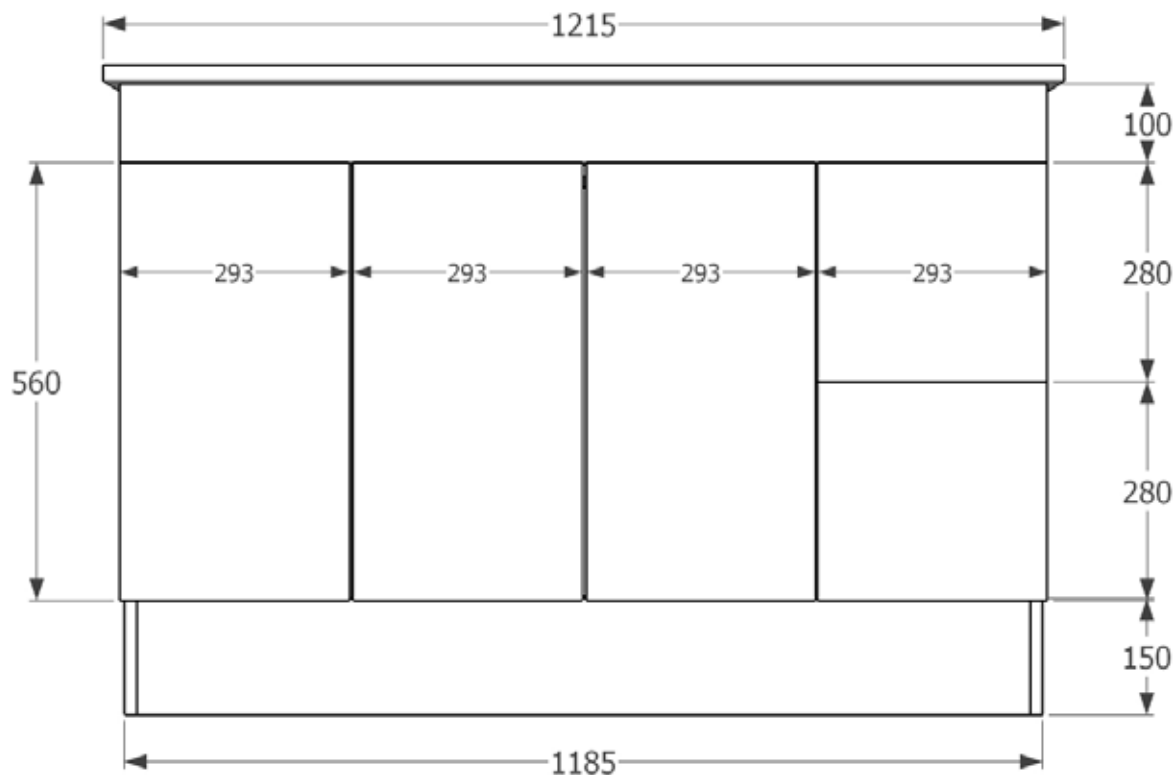
# SHOWERAMA BRISTOL ON KICK VANITY



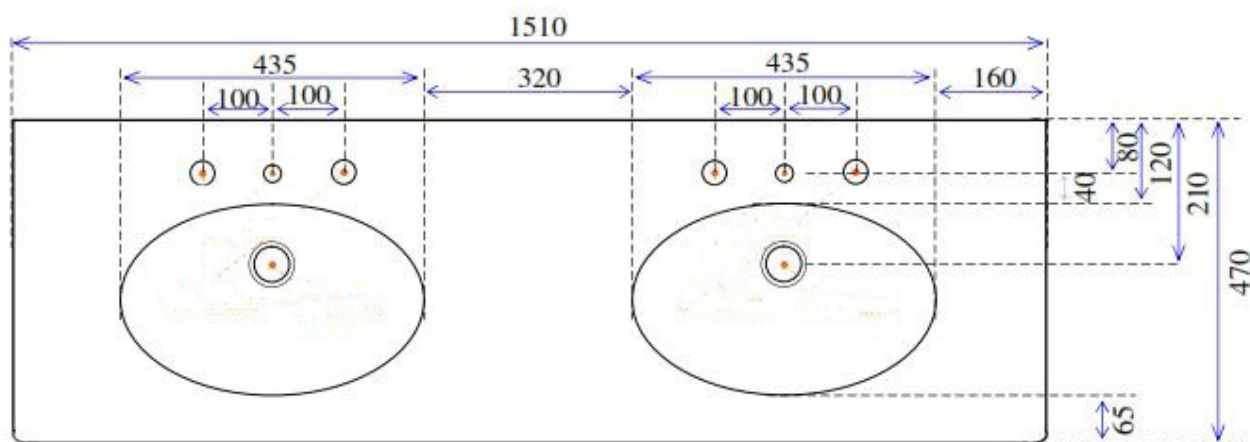
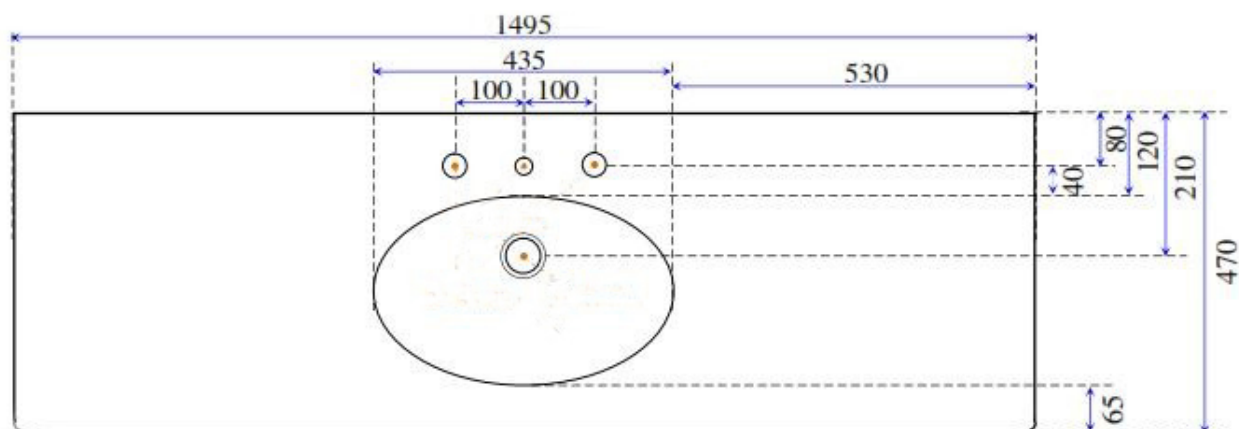
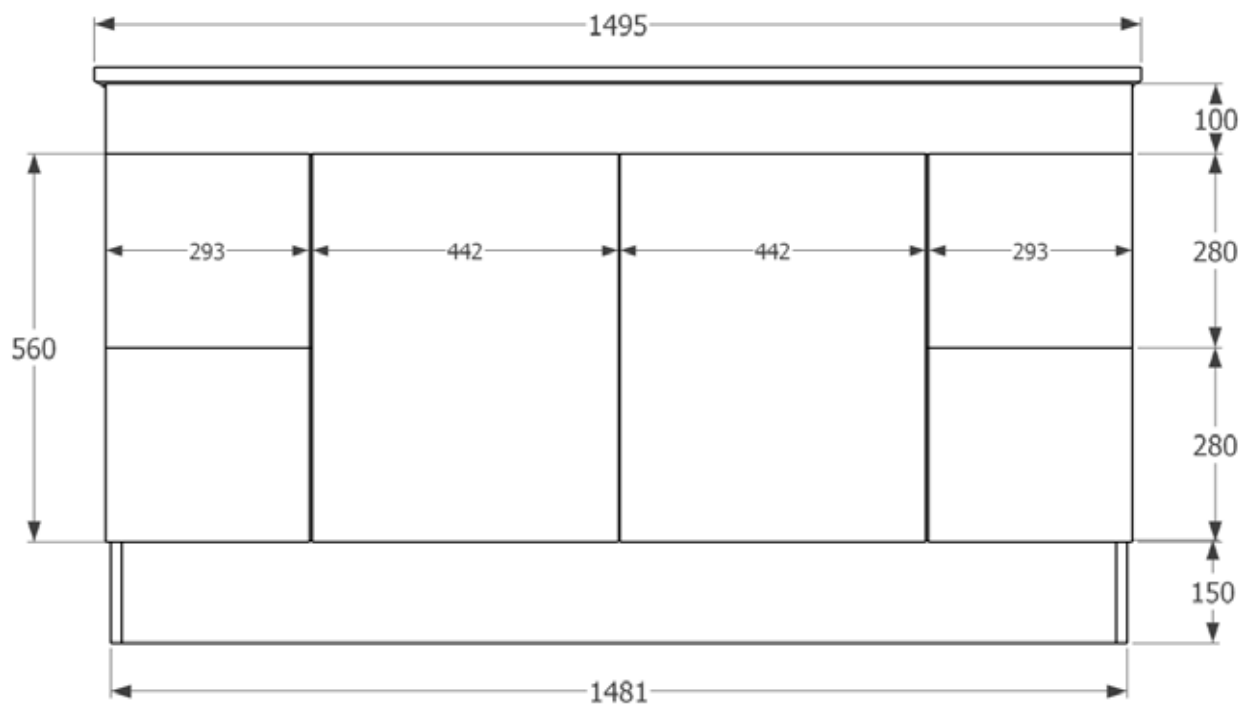
Side view dimensions all sizes



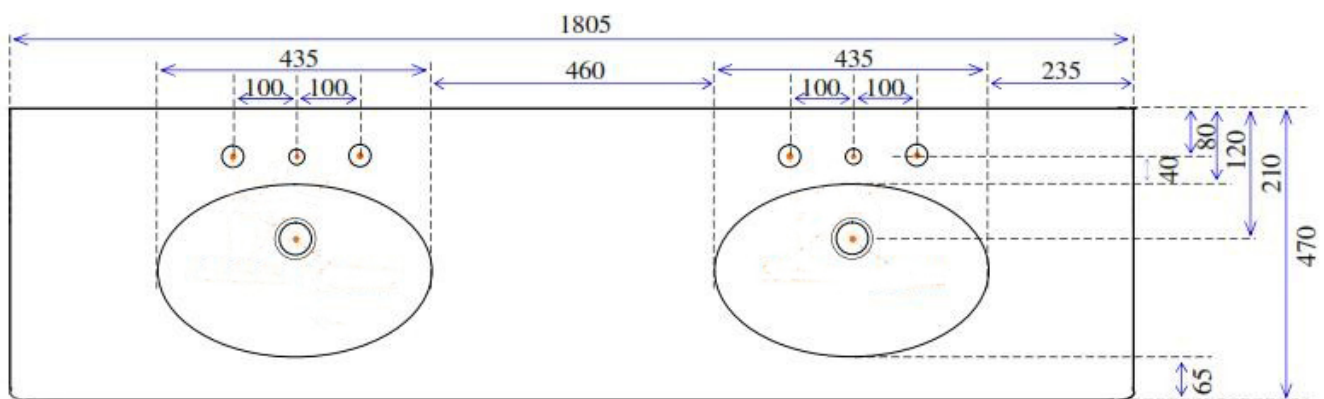
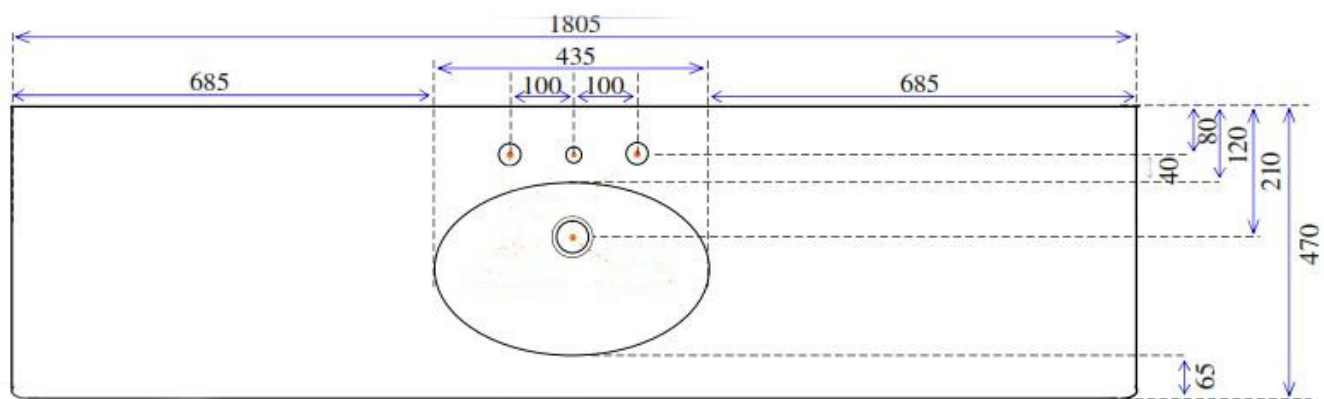
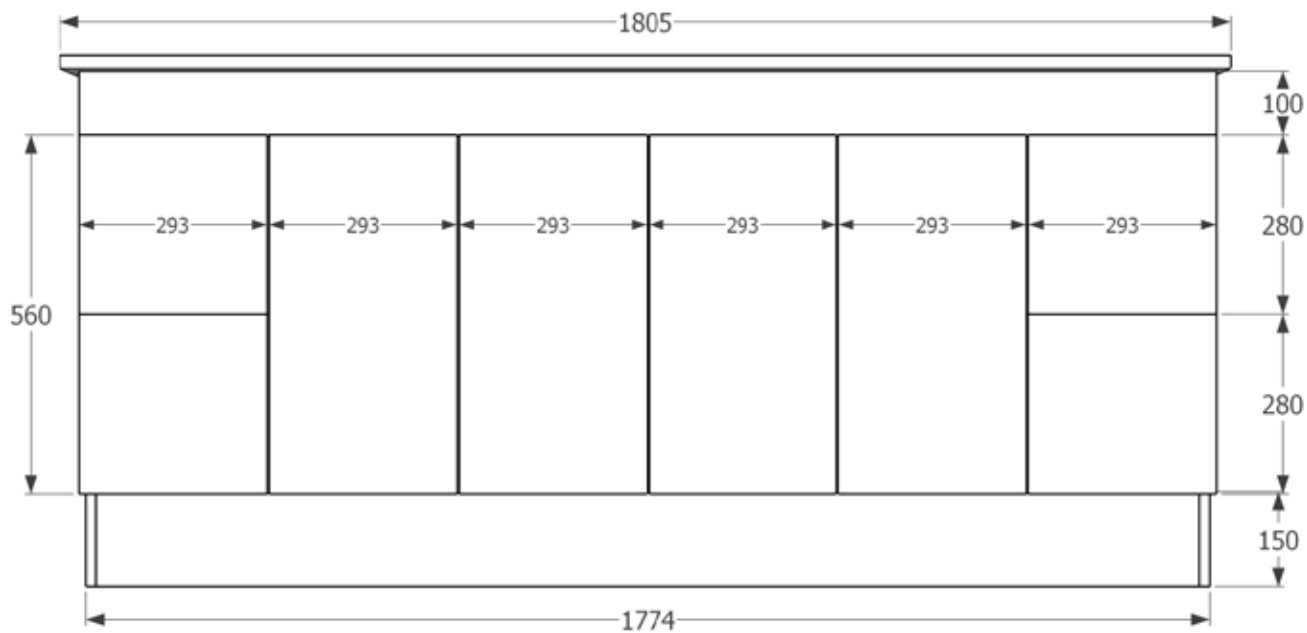
# SHOWERAMA BRISTOL ON KICK VANITY



# SHOWERAMA BRISTOL ON KICK VANITY



# SHOWERAMA BRISTOL ON KICK VANITY



# SHOWERAMA

## BRISTOL ON KICK VANITY

### CLEANING RECOMMENDATIONS

#### Cultured Marble Tops:

If minor accidental scratches, abrasions or burns occur, the Cultured Marble surface can be restored by gentle polishing with Showerama Bathroom Polish that can be purchased from your Reece Store.

To preserve the cultured marble surface, clean with a soft cloth using warm soapy water or household liquid detergent.

Avoid products containing acids and chlorine. Water temperature should never exceed 50 degrees Celsius.

Spillage of strong solvents as found in some cosmetic products and hair dyes should be wiped off immediately.

#### Vanity Cabinets:

Showrama's cabinets are moisture resistant but not waterproof. Cabinet surfaces should be cleaned with a damp cloth and dried.

### INSTALLATION INSTRUCTIONS

#### NOTE:

Showrama recommend the vanity unit is NOT TILED IN around the base as this means the base of the cabinet is below floor level and is then prone to water damage which is NOT COVERED under the Warranty.

#### Important:

Prior to installation it is important to unpack & inspect your products to ensure no damage has occurred in transit and that the product IS CORRECT. If damage has occurred, or a visible defect exists, do not proceed with installation and contact supplier IMMEDIATELY.

No claims for damages/defects will be recognized after installation.

Freight damage is not claimable if it is signed for as in good condition and/or free of damage.

#### Installation Procedure:

1. Ensure that wall is plumb. Measure and mark out position of wall fixing and screw mounting board to wall.  
If fixing to timber framed walls or partitioning, care should be taken to ensure that the wall is adequately reinforced especially when fixing "Wall Hung" vanity units.
2. Place vanity into position and ensure it is level (make minor adjustment if required). Drill pilot holes in the back of the unit and fix unit to the wall using suitable screws. Ensure that the screws are fixed securely into a solid wall or noggin. Minor adjustments may need to be made to align drawer runners and hinges.
3. All final door and drawer adjustments are the responsibility of the installer at the time of installation.
4. External edges where the unit meets the floor and wall should be sealed using flexible waterproof sealants.

Plumbers, please ensure a copy of the installation instructions are left with the end user for future reference

July 2016

