

KADO

Kado Aspect Flushmount Inline Exhaust System White

2053943

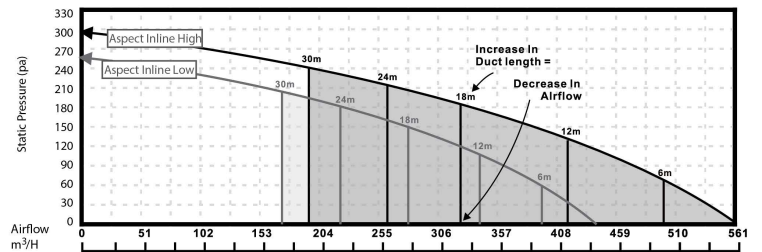
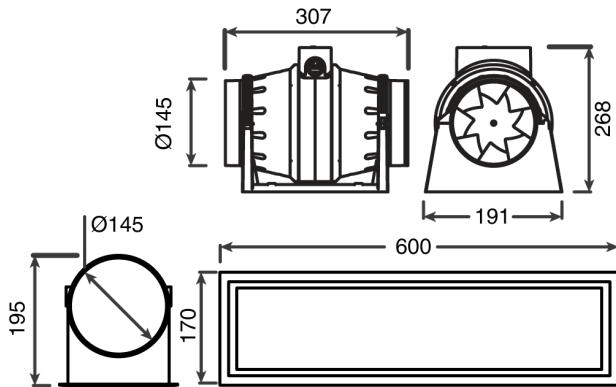
SPECIFICATIONS

| | |
|-----------------------|--------------------------------|
| Recommended Use | Domestic, Hotel & Commercial |
| Material | Plastic Facsia |
| Weight | 9 kg |
| Exhaust | Mixed Flow Inline Axial Motor |
| Air Extraction | 438-561 m3/h |
| Air Outlet Size | 150 mm |
| Cutout Size | 583 x 153mm |
| Min Install Depth | 280 mm |
| Electrical Connection | Plug in (plug & lead included) |
| IP Rating | IPX2 |

WARRANTY

| | |
|-------------------------|-----------|
| Warranty - Domestic Use | 7 Years |
| Spare Parts & Labour | 24 Months |

Please refer to Warranty Page for full Terms and Conditions



Airflow and Pressure data tested as per standard: ISO 5801

Dimensions are nominal measurements only.

CLEANING RECOMMENDATIONS:

We recommend the use of soapy water or approved cleaners. This product should not be cleaned with abrasive materials. Damage caused by any improper treatment is not covered by the product warranty. Refer to Warranty Conditions

Disclaimer: Products in this specification manual must by regulation be installed by licensed and registered trade people. The manufacturer/distributor reserves the right to vary specifications or delete models from their range without prior notification. Dimensions are nominal measurements only. Dimensions and set-outs listed are correct at time of publication however the manufacturer/distributor takes no responsibility for printing errors.

Published 04/08/2021

To see the complete Kado range go to www.reece.com.au/bathrooms

