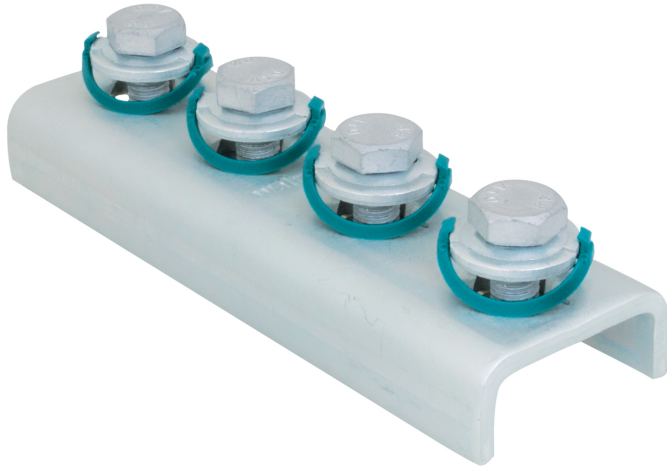


BIS RapidStrut® Rail Connector - U-shaped G2 (BUP1000)

(H 28 89)

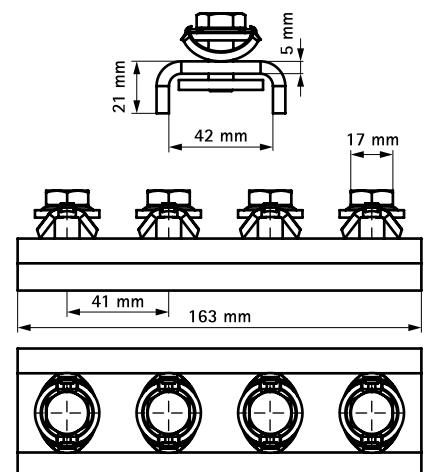
to make Strut rail fabrications



Features and Benefits

- connector with pre-assembled BIS RapidStrut® Slide nut(s)
- to make fabrication with Strut Rail
- ready-to-use pre-assembled for a quick fixing, and retains assembly in place before final tightening
- material: metal parts made of steel 1.0332; spring(s) made of POM (polyoxymethylene), green
- surface protection:
 - product is part of the BIS UltraProtect® 1000 system
 - suitable for in- and outdoor applications
 - stands min. 1,000 hours salt spray test (max. 5% red rust) according to ISO 9227

Part No.	T _(max.) (Nm)	For Rail	Pack 1
665885421	40.0	Strut	20



Complementary

BIS RapidStrut® Fixing Rail DS 5 (BUP1000)

Alternative

BIS RapidStrut® Rail Connector G2 (BUP1000)