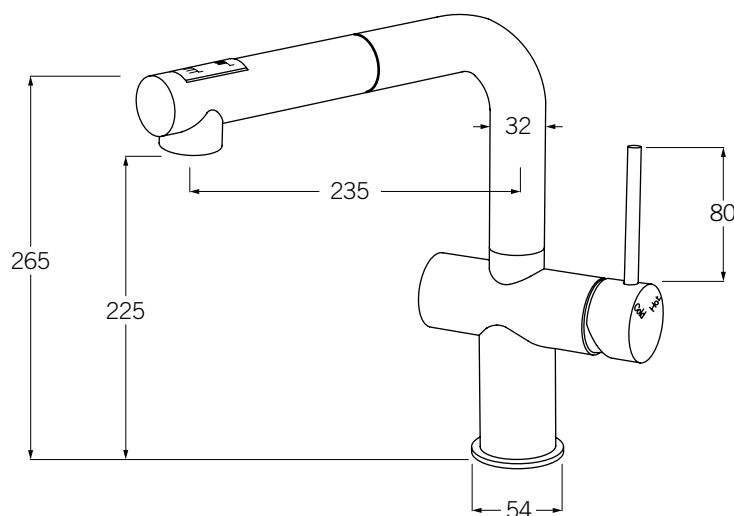


# SUSSEX

## SCALA HORIZONTAL PULL OUT SINK MIXER 2F



### SPECIFICATIONS

<b>Recommended use</b>	Domestic, hotel, commercial
<b>Pressure rating</b>	Recommended water pressure: Min 300 kPa - Max 500 kPa. Water pressure is not to exceed 750 kPa.
<b>Temperature rating</b>	Min 1° - Max 55°
<b>Suitable hot water units</b>	Storage tank: Yes Continuous flow: Yes Gravity fed: Not recommended
<b>Material</b>	Brass
<b>Finish</b>	Chrome
<b>WELS</b>	Stars: 5 Flow rate: 6 L/Min
<b>Standards</b>	AS/NZS 3718



To see the complete Sussex range go to [www.reece.com.au/bathrooms](http://www.reece.com.au/bathrooms)

### CLEANING RECOMMENDATIONS

We recommend the use of soapy water or approved cleaners.

This product should not be cleaned with abrasive materials.

Damage caused by improper treatment is not covered by the product warranty - refer to warranty conditions.



**Disclaimer:** Products in this specification manual must by regulation be installed by licensed and registered trade people. The manufacturer/distributor reserves the right to vary specifications or delete models from their range without prior notification. Dimensions are nominal measurements only. Dimensions and set-outs listed are correct at time of publication however the manufacturer/distributor takes no responsibility for printing errors.

Tech Page Version 2

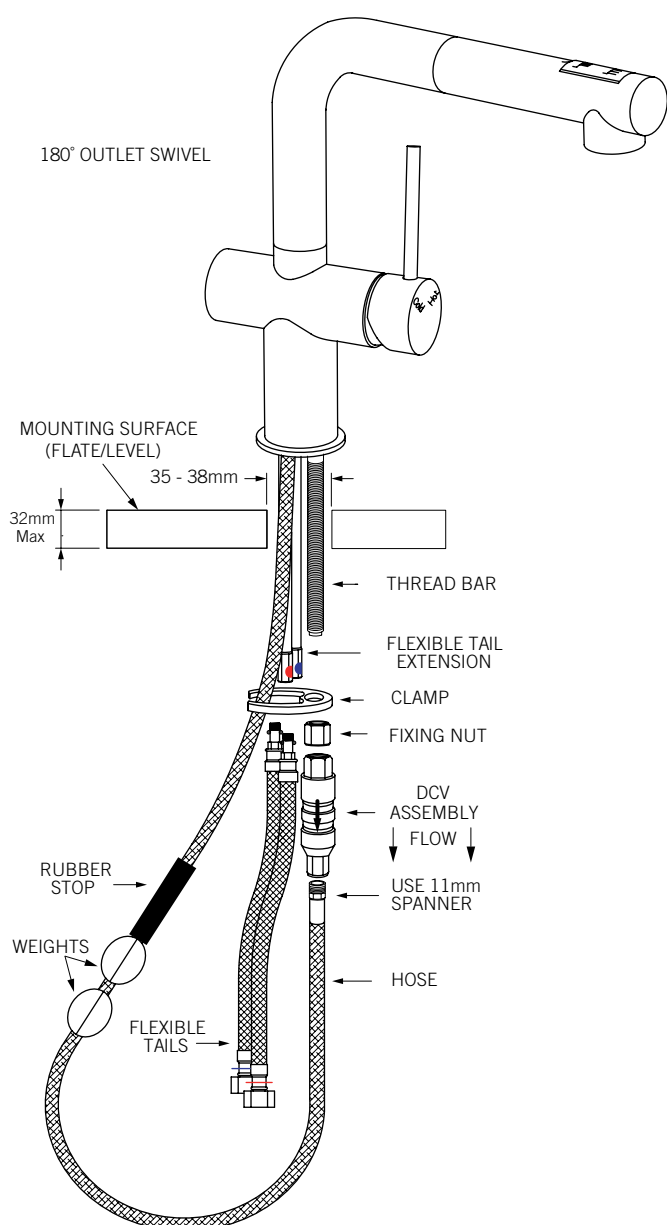
**SUSSEX**  
SUSSEX TAPS | AUSTRALIAN MADE. WORLD CLASS.



# SUSSEX

## SCALA HORIZONTAL PULL OUT SINK MIXER 2F

### INSTALLATION INSTRUCTIONS



Tapware is to be installed by a Licensed Plumber in accordance with AS/NZL 3500

### PLUMBER NOTE

- On-site testing using higher water pressures must be conducted with the Mixer in the closed position. (STATIC TEST)
- Under no circumstances is the Mixer to be opened when exceeding the maximum stated water pressure.
- At the completion of testing, do not relieve any high water pressure by opening the Mixer.
- Exposing the internals of the Mixer Cartridge to higher than specified water pressures will void the manufacturer's warranty.

### INSTALLATION GUIDELINES

- 60mm Clearance is required at rear of mixer.
- Ensure a 35 - 38mm clearance hole is provided through the mounting surface.
- Ensure adequate cupboard space has been provided to allow the Pull-out hose to move freely.
- Prior to installing the mixer, remove the Clamp and Fixing Nut from the mixer assembly and the weights from the hose.
- Pass the Pull-out Hose through the mounting surface hole lowering the Mixer onto the mounting surface.
- Working from underneath, fit the Clamp and Fixing Nut.
- Gently bend the Flexible Tail Extensions away from the Thread Bar and Pull-out Hose.
- Use the provided Tube Spanner to tighten and secure the Mixer.
- Attach the DCV Assembly to the Thread Bar. (NOTE: Arrow Direction)
- DCV has O-ring seals.
- Connect the Pull-out Hose to the DCV Assembly use an 11mm spanner to tighten well.
- Re-attach the Weights to the Hose, ensure the Rubber stop is between the Clamp and the Weights.
- The maximum recommended length of Nozzle pull-out is approximately 400mm.
- Connect the provided Hot and Cold Flexible hoses to the Mixer.
- Connect the Hot and Cold Flexible hoses to the corresponding 1/2" BSP water feed lines.
- The 1/2" connection of the Flexible hoses have a conical seal, ensure the mating threads are cut square and burr free.
- Isolating stop valves are recommended with all installations. (Not supplied)
- Ensure all fittings and connections are watertight.
- Check Mixer functions correctly with a smooth action.
- Ensure the Pull-out Hose operates freely with minimal contact to other parts.

Plumbers, please ensure a copy of the installation instructions is left with the end user for future reference