

VANITY INSET HAND BASIN

6.17

HAND BASINS



Scan QR code
to view online



Image shows Model HBVI-TW-9101
Vanity Inset Hand Basin with Eco Timed Flow Pillar Tap

features and benefits

- Flush mounts into bench top
- Economy model
- Grade 304 satin S.S.
- 40mm waste outlet supplied
- Won't chip or break
- 1, 2 or 3 tap holes
- Choice of tapware styles
- 11 litre bowl capacity

about

The **BRITEX Stainless Steel Vanity Inset Hand Basin** is a versatile fixture that may be fitted into a large range of benchtops. Manufactured from commercial grade 304 stainless steel it is supplied complete with a 40mm waste outlet and is available with a range of tap options.

sample spec. text

BRITEX S.S. Inset Vanity Hand Wash Basin - 500L x 405W x 160D O/A. Supplied complete with XXXX tapware and 40mm waste outlet - Product Code HBVI-TW-XXXX

NB Please refer to reverse page for tapware and basin options

*RED TEXT may denote a **variable** where one option only is to be selected, a **nominal dimension** that needs to be specified, or an **optional feature** that can be removed if not required. Please refer to the back of this page for additional specification details and options.

VISIT BRITEX.COM.AU TO DOWNLOAD BIM FILES, CAD DRAWINGS AND THE MOST CURRENT PRODUCT LITERATURE.



MELBOURNE
Britex Place, Mirra Crt
Bundoora VIC 3083
t (03) 9466 9000
f (03) 9466 9044

SYDNEY
16 Northumberland Drv
Taren Point NSW 2229
t (02) 9531 2100
f (02) 9531 2800

PERTH
Unit 1/8 Principal Link
Malaga WA 6090
t (08) 9249 5464
f (08) 9248 6893

BRISBANE
19 Manilla St
East Brisbane QLD 4169
t (07) 3363 2400
f (07) 3363 2444

ADELAIDE
The Britex Group
SA State Office
t 1300 764 744
f 1300 784 306

britex.com.au | info@britex.com.au | A.B.N 83 004 309 737

#HBVI / VANITY INSET HAND BASIN

VANITY INSET HAND BASIN

PRODUCT CODE

HBVI (Basin only)

HOW TO SPECIFY: Vanity Inset Hand Basin

Sample Specification Code

A **B**
HBVI - TW-9201

= Multi Vanity Inset Hand Basin with Deluxe Timed Flow Pillar Tap

Specification Key

A = Product Code

B = Tapware (if required)
 (see below for suggested tapware options)

Suggested Tapware Options:

(see Tapware Section: 11 for complete range of options)



TW-9201
 Deluxe Timed Flow Pillar Tap



TW-9101
 Eco Timed Flow Pillar Tap



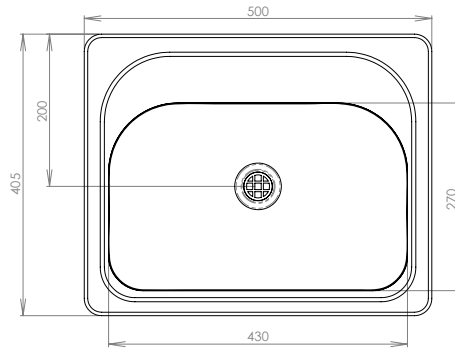
TW-9110
 Euro Basin Mounted Sensor Tap



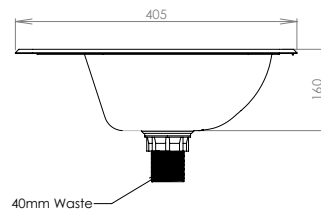
TW-9103
 Timed Flow Lever Pillar Tap



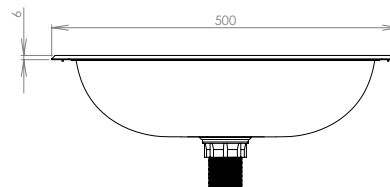
TW-MIX-01
 Basin Mounted Flick Mixer



MODEL HBVI Plan



MODEL HBVI Side Elevation



MODEL HBVI Front Elevation

When specifying this product please include:

- Product Name and Code
- Product Dimensions
- Tapware details (if required)

specifying guide

options

- Tap holes to suit specified tapware

VISIT BRITEX.COM.AU TO DOWNLOAD BIM FILES, CAD DRAWINGS AND THE MOST CURRENT PRODUCT LITERATURE.

Last Revised June 2017



Due to ongoing research and our commitment to product development, details are subject to change without notice. Details accurate at time of print. Please refer to britex.com.au for the most current product information. Allow +/- 5mm tolerance for dimensions and setouts shown in product literature.

britex.com.au | info@britex.com.au | A.B.N 83 004 309 737

