

Mizu Drift Twin Waterrail 300 Shower

SPECIFICATIONS

| | | |
|--------------------------|--|--------------|
| Recommended Use | Domestic, Hotel and Commercial | |
| Colour Availability | Chrome Black | |
| Shower Head Size | 300mm | |
| Shower Head Material | Brass or ABS | |
| Inlet Position | Top Water Inlet | |
| Pressure Rating | Suitable for high pressure applications | |
| | Minimum Operating Pressure 150kPa Maximum Operating Pressure 500kPa | |
| Temperature Rating | Maximum Hot Temperature 60°C (Recommended 42°C) | |
| | Minimum Temperature 1°C | |
| Suitable Hot Water Units | Storage Tank: | Yes |
| | Continuous Flow: | Yes |
| | Gravity Feed: | Not Suitable |

WARRANTY

| | |
|-------------------------|-----------|
| Warranty - Domestic Use | 10 Years |
| Spare Parts | 12 Months |

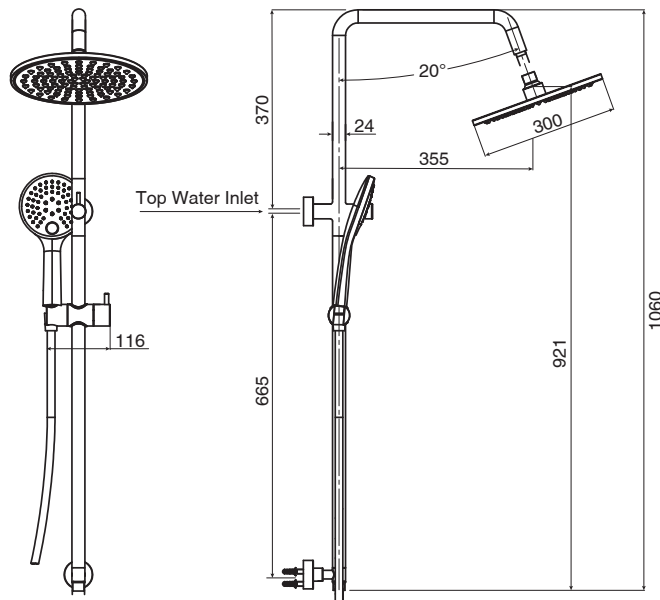
Please refer to Warranty Page for full Terms and Conditions



9505907



9505911



CLEANING RECOMMENDATIONS:

We recommend the use of soapy water or approved cleaners. This product should not be cleaned with abrasive materials. Damage caused by any improper treatment is not covered by the product warranty - refer to Warranty Conditions.

Dimensions are nominal measurements only.

Disclaimer: Products in this specification manual must by regulation be installed by licensed and registered trade people. The manufacturer/distributor reserves the right to vary specifications or delete models from their range without prior notification. Dimensions are nominal measurements only. Dimensions and set-outs listed are correct at time of publication however the manufacturer/distributor takes no responsibility for printing errors.

Published 28/08/2020

