

Tapware is to be installed by a Licensed Plumber in accordance with AS/NZS 3500:2003 Recommended working water pressure 300-500 kpa. Maximum water temperature is 65 deg.c.

INSTALLATION GUIDE

Product code:	Available options:	Reece code:
SBMC	Basin Mixer	2261570
SBMC13	Basin Mixer 130mm Outlet	2262939
SBMC15	Basin Mixer 150mm Outlet	2262509
SBMP10C	Basin Mixer 100mm pin	2262109
SBMP15C	Basin Mixer 150mm pin	2262110
SBMC6	Basin Mixer 6*	2262940
SBMC136	Basin Mixer 130mm Outlet 6*	2262941
SBMC156	Basin Mixer 150mm Outlet 6*	2262942
SBMP10C6	Basin Mixer 6* 100mm pin	2262943
SBMP15C6	Basin Mixer 6* 100mm pin	2262944
SBMSS	Basin Mixer Stainless Steel 316	2262974

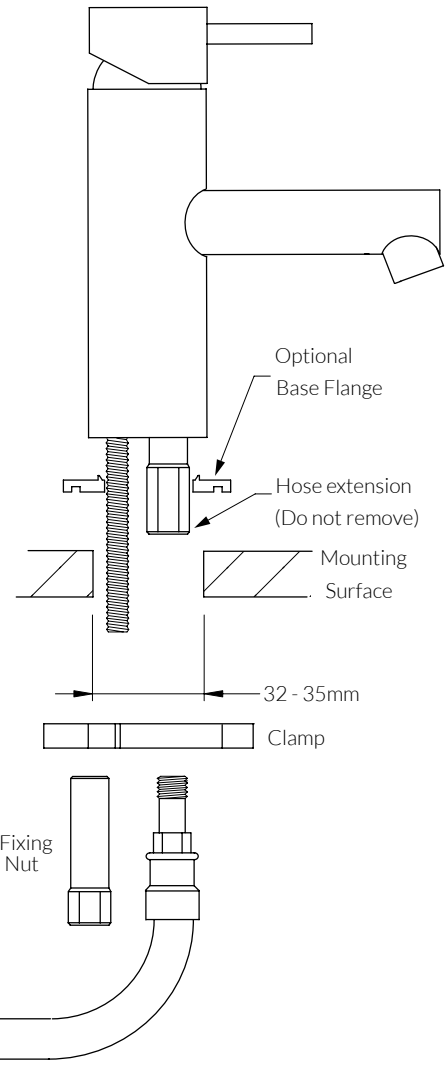
Scala Basin Mixer

Product code:	Available options:	Reece code:
SMBMC	Medium Basin Mixer	2262392
SMBM130C	Medium Basin Mixer 130mm Outlet	2262393
SMBM150C	Medium Basin Mixer 150mm Outlet	2262394
SMBM100PC	Medium Basin Mixer 100mm pin	2262399
SMBM150PC	Medium Basin Mixer 150mm pin	2263400
SEBMC	Extended Basin Mixer	2261622
SEBMC13	Extended Basin Mixer 130mm Outlet	2262410
SEBMC15	Extended Basin Mixer 150mm Outlet	2262411
SEBMP10C	Extended Basin Mixer 100mm pin	2262111
SEBMP15C	Extended Basin Mixer 150mm pin	2262112
SEBMC6	Extended Basin Mixer 6*	2262945
SEBMC136	Extended Basin Mixer 130mm Outlet 6*	2262946
SEBMC156	Extended Basin Mixer 150mm Outlet 6*	2262947
SEBMP10C6	Extended Basin Mixer 6* 100mm pin	2262948
SEBMP15C6	Extended Basin Mixer 6* 150mm pin	2262949

INSTALLATION GUIDELINES

- The Mixer is supplied assembled, only the Fixing nut and the Brass Clamp need to be removed.
- Decide if the Optional Base Flange is to be used.
- If using the Optional Base Flange discard the smaller Base O Ring.
- Add the base Flange to base of Mixer and attach the Flexible Hoses to the Mixer Hose extensions.
- In some cases the Flexible Hoses may need to be fed through from under the mounting surface and then attach.
- Once the Flexible Hoses have been secured, lower the Mixer onto the mounting surface.
- Working from underneath the mounting surface fit Clamp and Fixing Nut.
- Before fully securing the Mixer ensure that the Base O Ring is intact and the Mixer is centered over the mounting surface hole.
- The Mixer mounting surface must be completely water-tight.
- Connect the Hot and Cold Flexible hoses to the corresponding 1/2" BSP water feed lines.
- The 1/2" connection of the Flexible hoses have a conical seal, ensure the mating threads are cut square and burr free.
- Isolating stop valves are recommended with all installations. (not supplied)
- Ensure all fittings and connections are water-tight.

NOTE: Optional Base Flange must be used when the clearance hole for mounting the Mixer exceeds 35mm. If the mounting hole clearance exceeds 45mm a custom made Base flange will be required.



PLUMBER NOTE

- On-site testing using higher water pressures must be conducted with the Mixer in the closed position. (STATIC TEST)
- Under no circumstances is the Mixer to be opened when exceeding the maximum stated water pressure.
- At the completion of testing, do not relieve any high water pressure by opening the Mixer.
- Exposing the internals of the Mixer Cartridge to higher than specified water pressures will void the manufacturers warranty