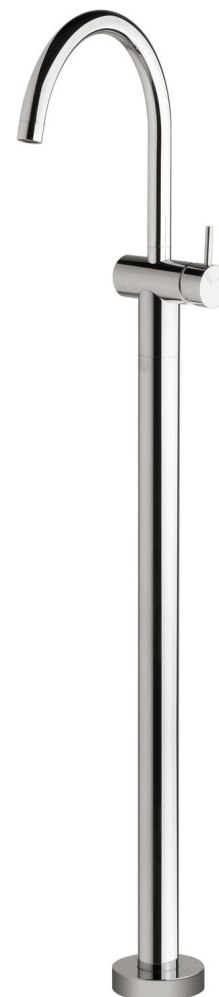
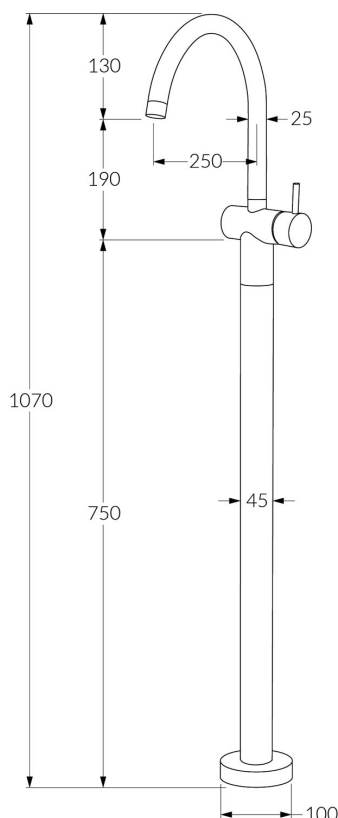


S U S S E X

SCALA FLOOR MOUNT MIXER CURVED



Dimensions are nominal measurements only.

SPECIFICATIONS

Recommended Use	Domestic, Hotel and Commercial
Finish	Chrome
Material	Brass
Pressure Rating	Recommended working pressure 300 - 500 kPa Water pressure is not to exceed 750 kPa
Temperature Rating	Max continuous working temperature 65 deg. C
Suitable Hot Water Units	Storage Tank: Yes Continuous Flow: Yes Gravity Feed: Not recommended
Standards	AS/NZS 3718

To see the complete SCALA range go to www.reece.com.au/bathrooms

CLEANING RECOMMENDATIONS

This bathroom product should be cleaned with warm soapy water, rinsed with clean fresh water and then gently dried with a soft cloth. Do not clean with abrasive materials eg. steel wool/scourers.

Do not use any corrosive or abrasive cleaning agents containing acids or scouring agents. Bleaches can also discolour products and therefore should not be used. Damage caused by any improper treatment is not covered by the product warranty - refer to Warranty Conditions on the last page.

S U S S E X

SCALA FLOOR MOUNT MIXER CURVED

INSTALLATION INSTRUCTIONS

Tapware is to be installed by a Licensed Plumber in accordance with AS/NZS 3500:2003

Recommended working water pressure 300-500 kpa. Maximum water temperature is 65 deg.c.

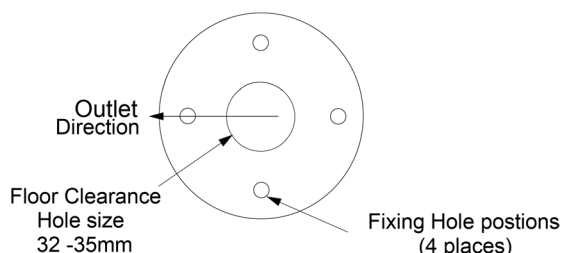
Connections

- This mixer is fitted with Flexible Hoses that have 1/4" BSP female connections.
- The 1/4" BSP female fittings of the Flexible hoses have a cone seal.
- The Mixer is also supplied with 350mm Copper Tubing that has 1/4" BSP male fittings brazed on both ends.
- Adapter fittings from main Hot/Cold Lines to 1/4" fittings of the Copper tube are not supplied.

Rough in Plumbing

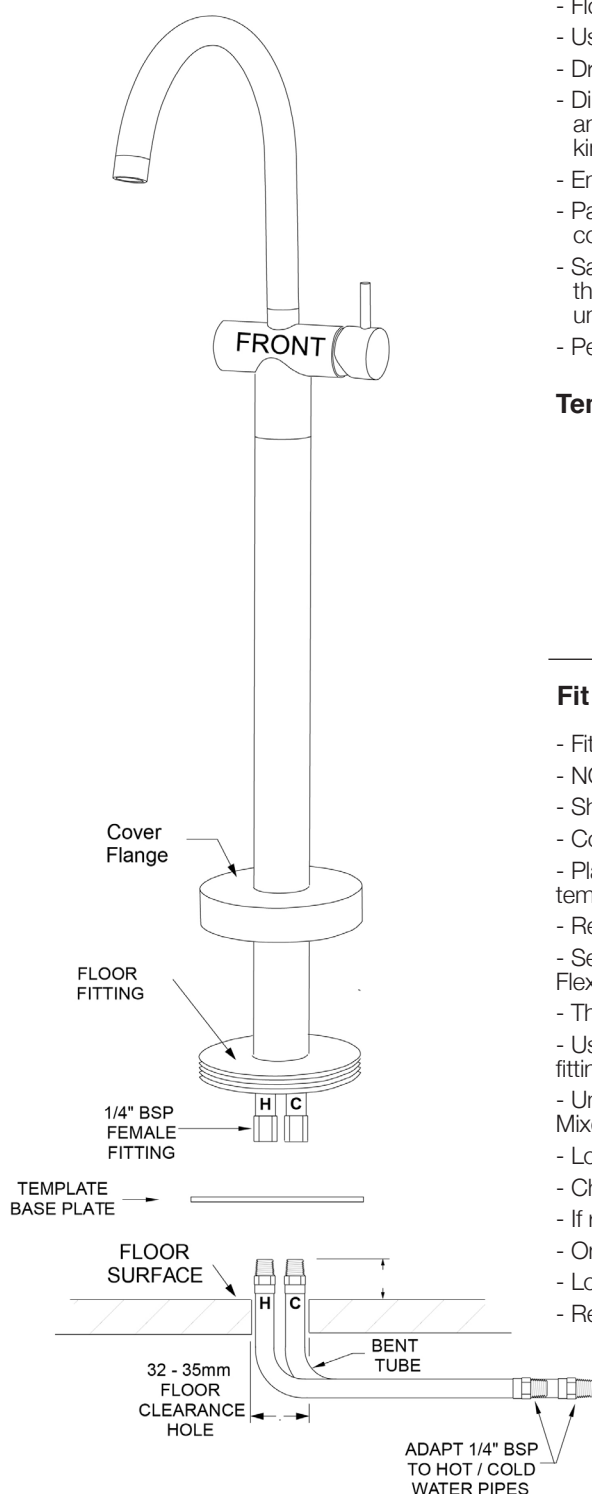
- Floor Surface clearance hole is to be between 32 – 35mm.
- Use the provided Template / Base plate to mark out the fixing points (X4).
- Drill for appropriate Fixing screws / Fasteners. (Not supplied)
- Directional arrow on the base plate indicates the Mixer angle to the Bath. Calculate and carefully bend the Copper Tube 90 degrees at the appropriate point. (Do not kink the Tube).
- Ensure the 1/4" fitting will finish 25 – 30mm passed the Floor Surface. (See drawing)
- Pass the bent Tubes through the Floor Surface and connect to the main Hot and cold water lines. Adapter fittings are not supplied
- Saddle or brace the water lines where possible to prevent excessive movement. Use thread tape and fit the provided End Caps to the 1/4" threads above the floor surface until final fit off is required.
- Perform pressure test to check connections for leaks prior to final fit off.

Template



Fit Off

- Fit Outlet to Post and rotate to engagement location, then swivel to operation position.
- NOTE: a second person will be required to assist when connecting Mixer.
- Shut off the water supply.
- Completely seal the Floor Surface around the protruding 1/4" fittings.
- Place the Template/Base Plate over the 1/4" fittings and align the directional arrow on the template to be in direction of Outlet.
- Remove the End Caps from the 1/4" fittings.
- Seek assistance, a second person will be required to hold the mixer in place while the Flexible hoses are connected.
- The fittings on the Flexible Hoses have a cone seal.
- Using the appropriate spanners, attach and tighten the Flexible hoses to the 1/4" male fittings (Tighten well).
- Unscrew the Cover Flange from the Floor Fitting and carefully raise enough to allow the Mixer to be fastened.
- Lower the Mixer onto the Template / Base Plate and lightly secure the Mixer in position.
- Check with a level that the Mixer is Square.
- If required use the "Jacking" screws (4) located in the Floor Fitting to level the Mixer.
- Once the Mixer is level, secure the Mixer to the Floor (Tighten well).
- Lower the Cover Flange to meet the Finished Floor Surface.
- Re-establish water supply and check Mixer operation and check for any leaks.



S U S S E X

SCALA FLOOR MOUNT MIXER CURVED

REECE PRODUCT QUALITY GUARANTEE

You have purchased a quality product from Reece Pty Ltd ABN 84 004 097 090 ("Reece"). This product is covered by a 15 year replacement product warranty, a 2 year warranty for labour, and a 1 year warranty on spare parts.

15 YEAR WARRANTY - DOMESTIC USE

This warranty covers faults in the product construction, material and assembly. Products which are within 15 years from the date of purchase, found upon inspection by an authorised Reece representative, to be defective in construction, material or assembly, will be repaired or exchanged with an equivalent product free of charge. Replaced items become Reece's property. This warranty also covers any spare parts included under "Manufacturer's Provisions" below.

All replacement products will be available for collection without charge to the customer at the nearest Reece branch to the customer's location, or elsewhere as agreed between the customer and Reece.

Manufacturer's Provisions

The following spare parts are covered by a 15 year warranty:

- Mixer Cartridge

Labour and Spare Parts

The labour for the replacement of products and spare parts to which this warranty applies will be supplied by Reece or relevant supplier using licensed plumbers engaged by Reece or relevant supplier within 2 years from the date of purchase.

Spare parts other than those listed in the Manufacturer's Provisions above, which are within 12 months from the date of purchase found upon inspection by an authorised Reece representative to be defective in construction, material or assembly, will be replaced free of charge.

Warranty Conditions

This warranty will apply only under all of the following conditions:

- The item has been installed by a licensed plumber
- The item has been installed for and subjected to domestic residential use only
- Failure is due to a fault in the manufacture of the product
- Proof of purchase (including the date of purchase) is provided
- The installation of the product is in accordance with the instructions provided

This warranty does not cover products purchased as an ex-display without being fully checked and tested for sale by the manufacturer.

This warranty does not include faults caused by:

- Unsuitable or improper use
- Incorrect installation or installation not in accordance with the instructions provided
- Installation or part installation by the purchaser or any person other than a LICENSED PLUMBER
- Normal wear and tear
- Inadequate or complete lack of maintenance
- Chemical, electrochemical or electrical influences
- Harsh detergents or abrasive cleaners used on product finishes

1 YEAR WARRANTY - COMMERCIAL USE

'Commercial' use is all use other than for normal domestic residential purposes, including use in non-business places as in public buildings, schools, sports centres and in establishments that contain private bathrooms with high frequency of use by many individuals, such as hotels, motels, retirement villages and hospitals.

The Commercial warranty covers this product against manufacturing faults in the construction, material and assembly of both the finished products and any spare parts for a period of 1 year from the date of purchase. Products and spare parts which are found upon inspection by an authorised Reece representative to be defective in construction, material or assembly will be repaired or exchanged free of charge. Replaced items become Reece's property. The labour for the replacement of products and spare parts to which this warranty applies will be supplied by Reece or relevant supplier using licensed plumbers engaged by Reece or relevant supplier. The Warranty Conditions and exclusions which apply to the non-commercial warranty also apply to this commercial warranty.

EXCLUSIONS

To the fullest extent permitted by law, Reece excludes all liability for damage or injury to any person, damage to any property, and any indirect consequential or other loss or damage.

CLAIM PROCEDURE

For all warranty queries customers are to contact the branch where the product was purchased. These details can be found on your purchase invoice.

Our goods come with guarantees that cannot be excluded under the Australian Consumer Law. You are entitled to a replacement or refund for a major failure and for compensation for any other reasonably foreseeable loss or damage. You are also entitled to have the goods repaired or replaced if the goods fail to be of acceptable quality and the failure does not amount to a major failure.

Don't risk it, use a licensed plumber.™

