

# Installation and Operating Instructions

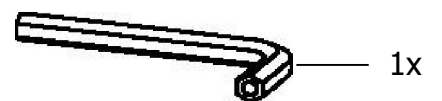
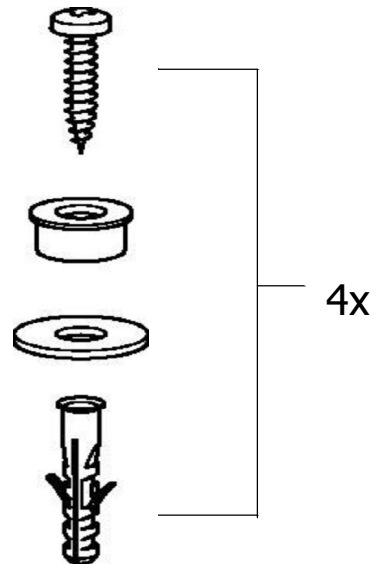
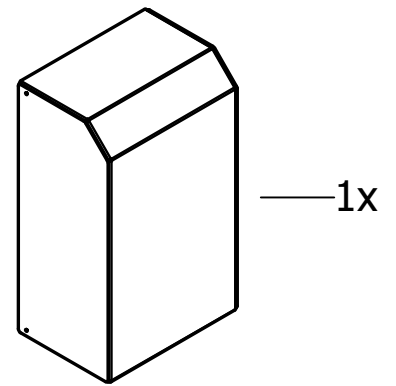
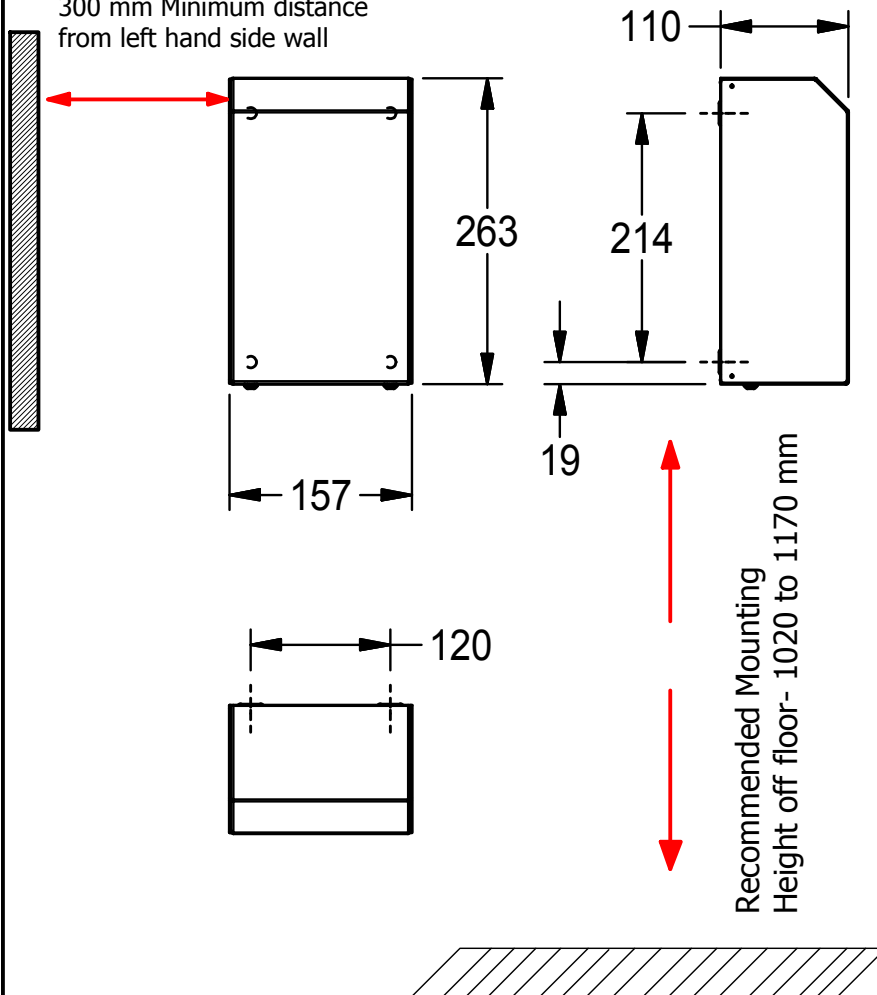
## FRK209012-Hand Dryer

2030054915

157 x 263 x 110



300 mm Minimum distance  
from left hand side wall



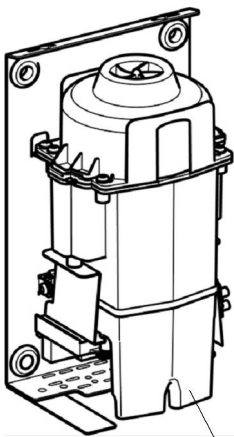
## MATERIALS:

1. SS304 Grade Stainless steel; all the surfaces have satin-finish.

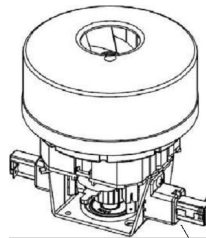
## INSTALLATION GUIDELINES:

1. To open the outer frame, use allen key provided to remove two bottom screws and carefully remove top hanging as well.
2. Place the technical unit on the wall and mark the exact point and the mounting hole distance.
3. Drill mounting holes on the wall using the reference marked dots
4. Fix the plastic dowel in to the hole and make sure they are flushed with the wall.
5. Now place the unit on the wall and install the screws into the mounting holes.
6. After finishing if the unit is loose, make sure the screws are all the way in and the screw heads are the only visible parts.
7. Finally close outer frame.

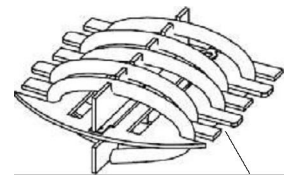
## REPLACEMENT PARTS:



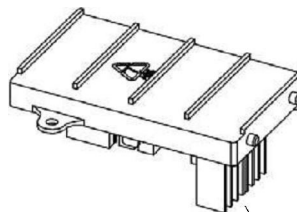
**2030026908  
EACCS127**



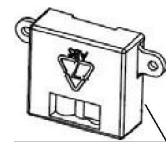
**2030030388  
EACCS128**



**2030030390  
EACCS129**

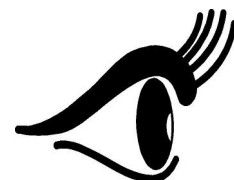
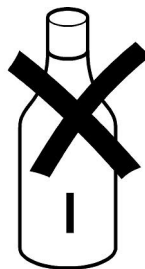


**2030030391  
EACCS130**



**2030030392  
EACCS131**

## NOTE:



[www.franke.com/ae/en/ws](http://www.franke.com/ae/en/ws)

Franke L.L.C  
P.O. Box 14511  
Ras Al Khaimah / United Arab Emirates  
t: +971 (0)7 2034 700  
e: ws-info.ae@franke.com

**FRANKE**